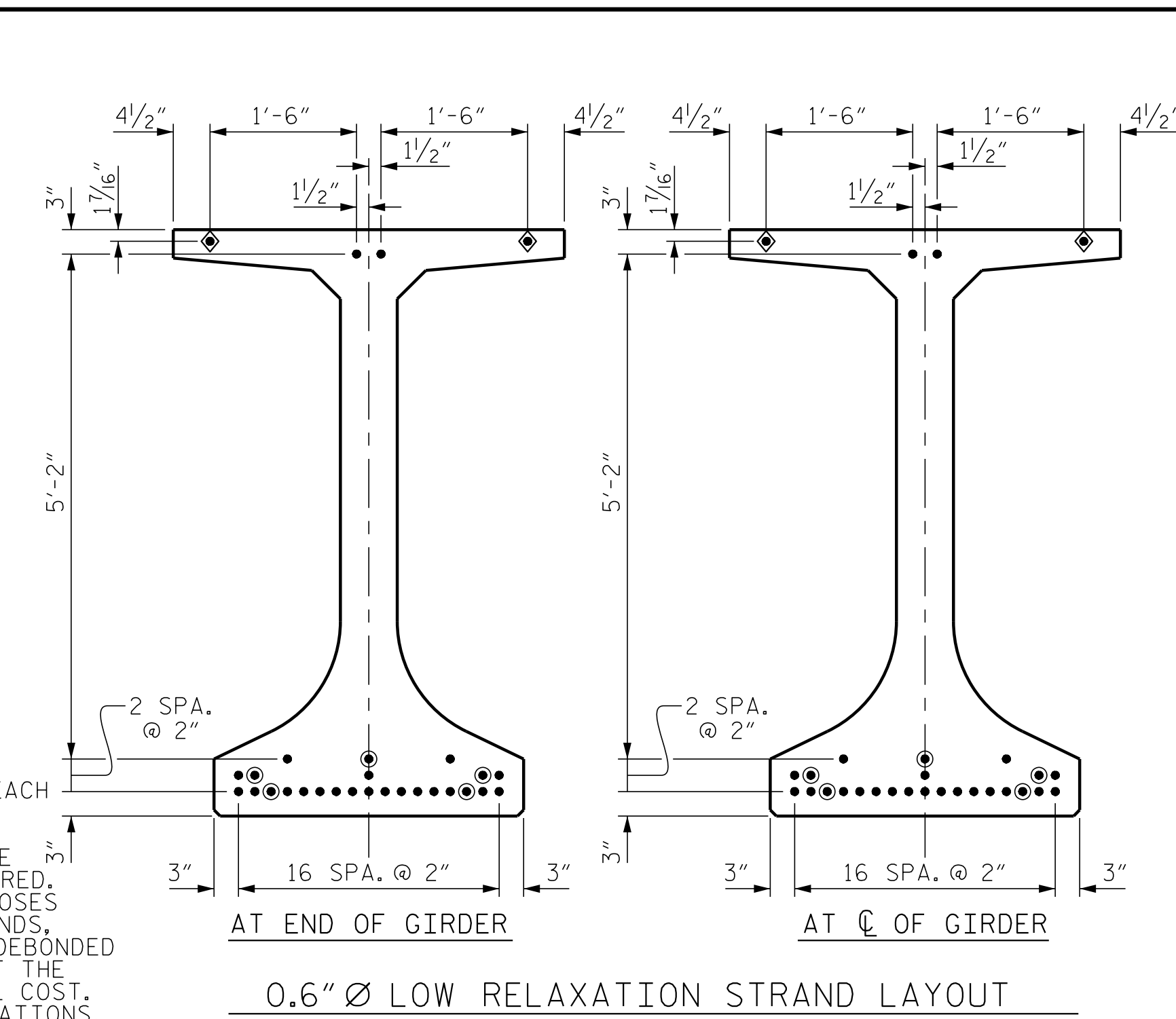


DEBONDING LEGEND

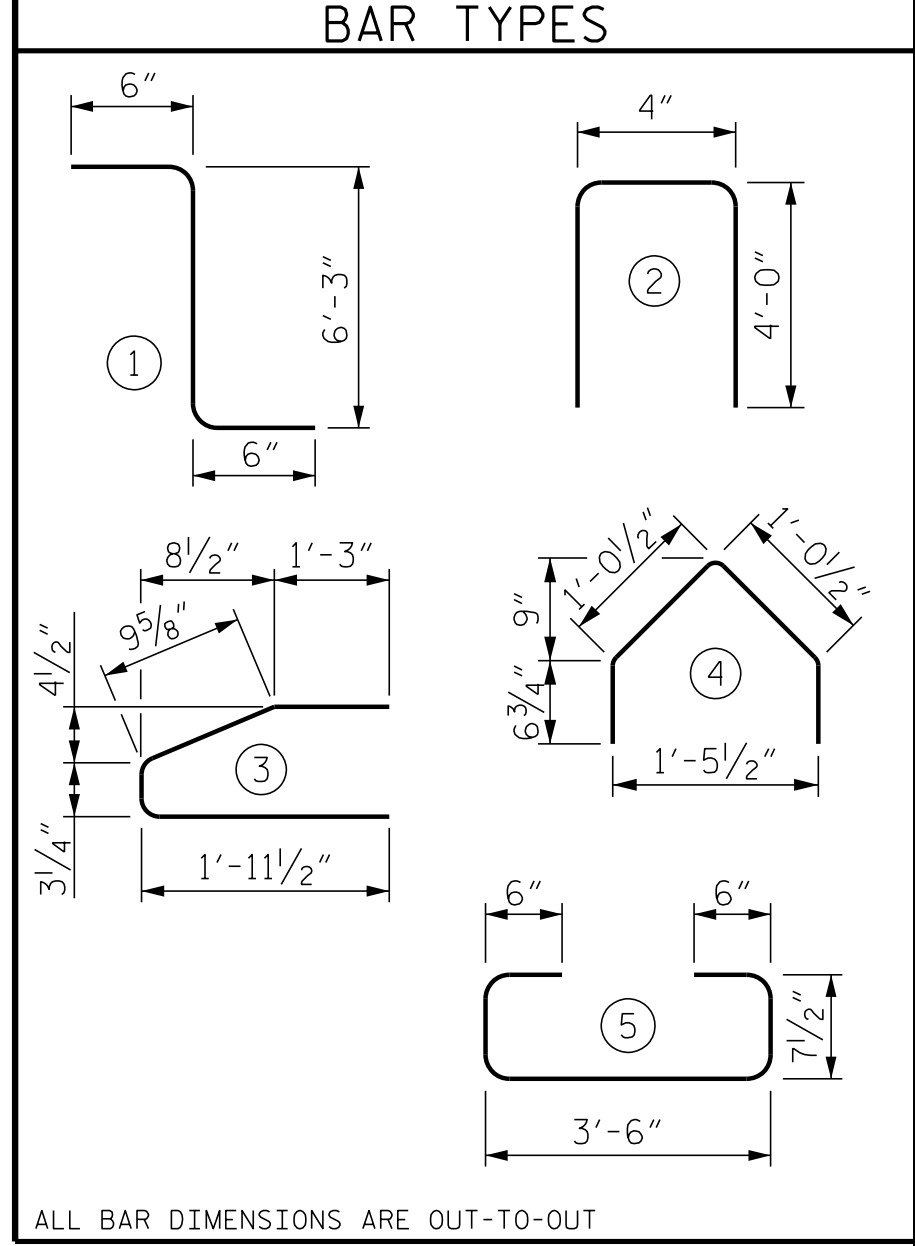
- FULLY BONDED STRANDS
- 3/8" Ø STRAND PULLED TO A LOAD OF 10,000 LBS. EACH
- OPTIONAL FULL LENGTH DEBONDED STRANDS. THESE STRANDS ARE NOT REQUIRED. IF THE FABRICATOR CHOOSES TO INCLUDE THESE STRANDS, THE STRANDS SHALL BE DEBONDED FOR THE FULL LENGTH OF THE UNIT AT NO ADDITIONAL COST. SEE STANDARD SPECIFICATIONS, ARTICLE 1078-7.



0.6" Ø L. R. GRADE 270 STRANDS		
AREA (SQUARE INCHES)	ULTIMATE STRENGTH (LBS. PER STRAND)	APPLIED PRESTRESS (LBS. PER STRAND)
0.217	58,600	43,950

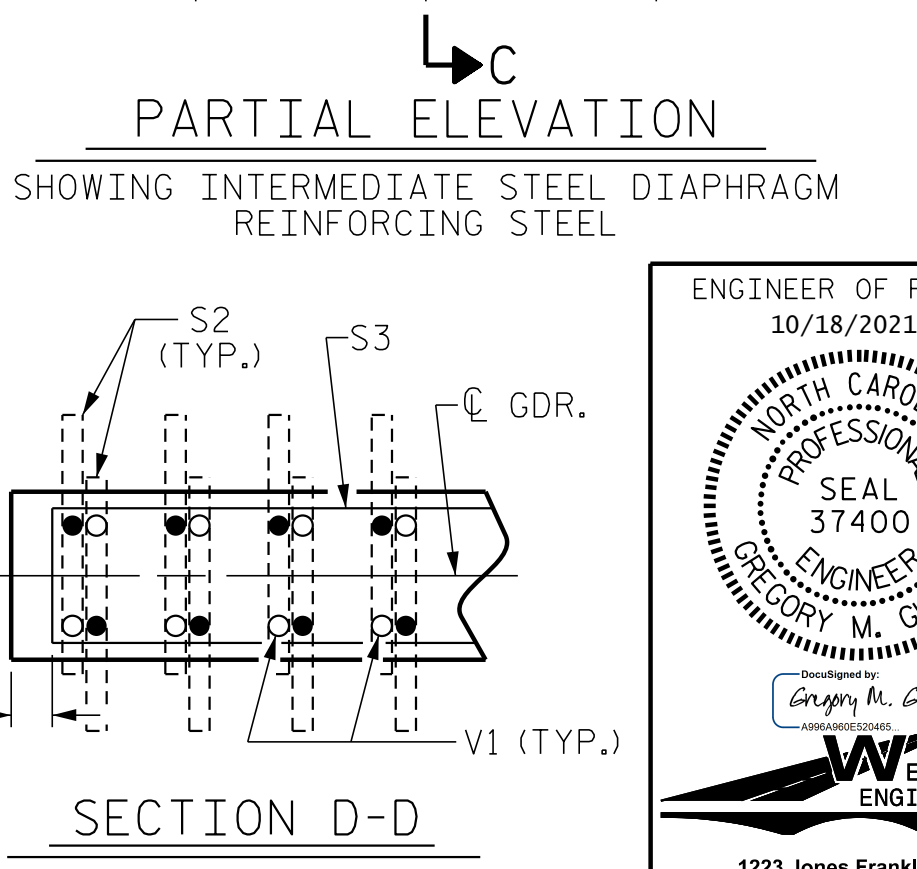
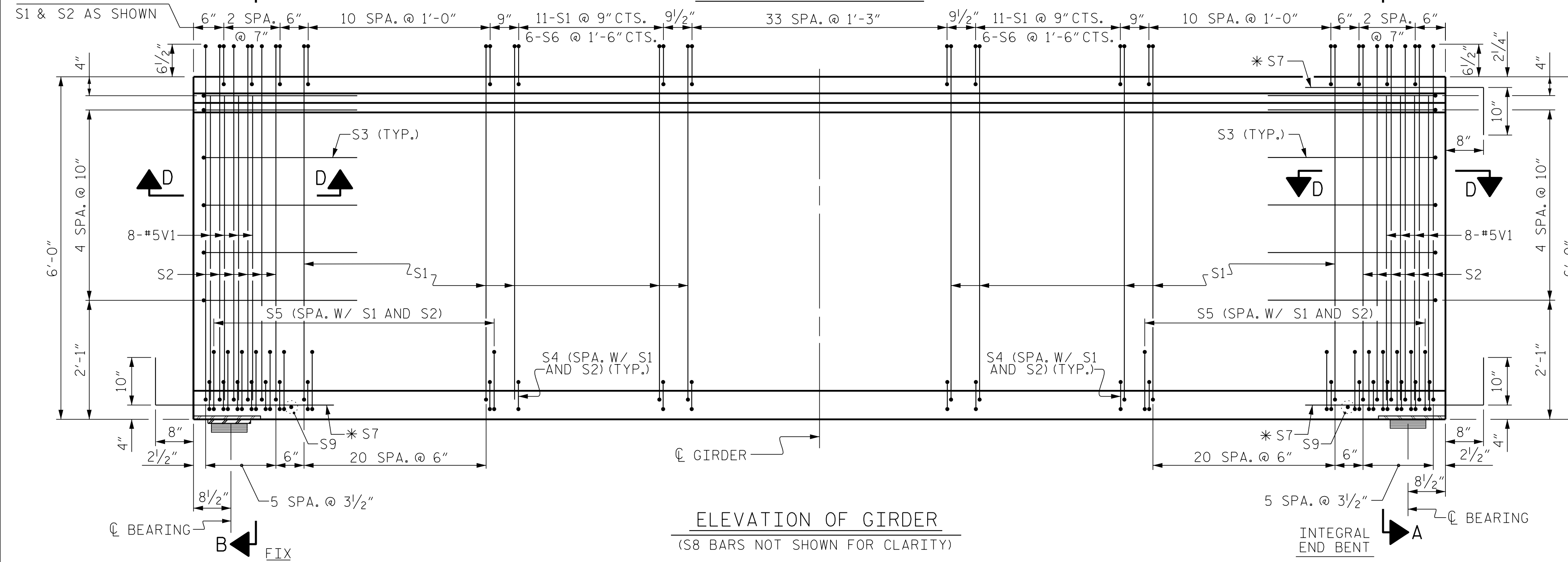
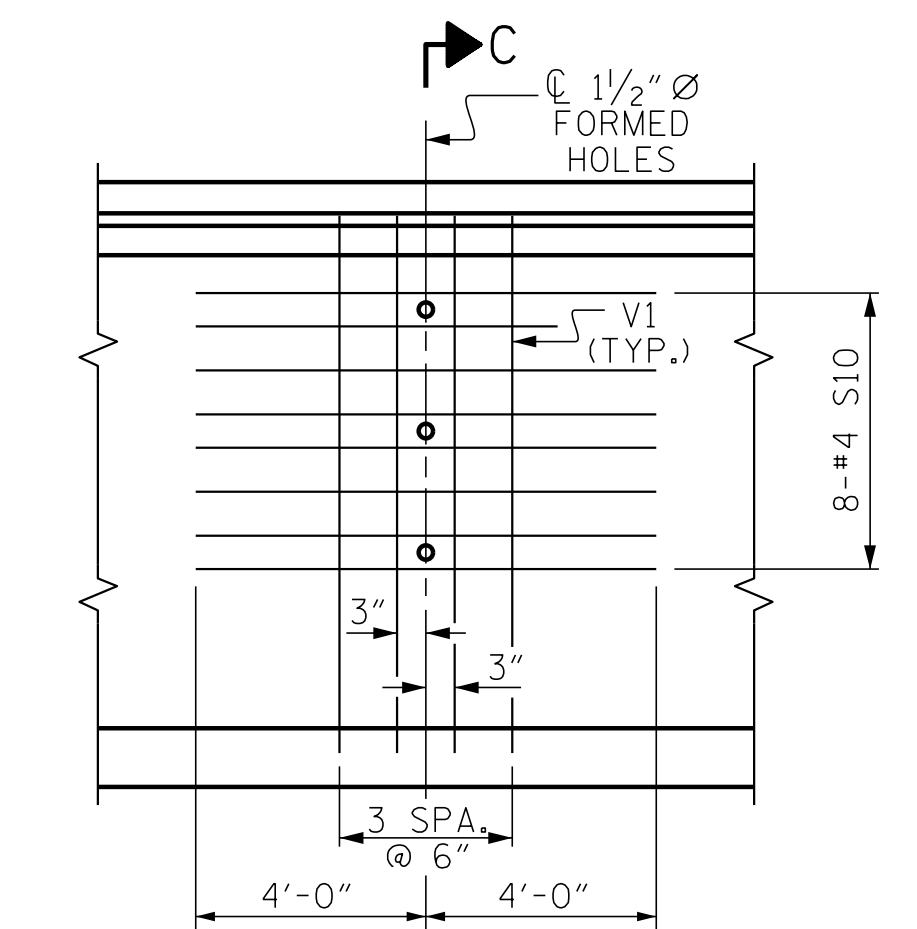
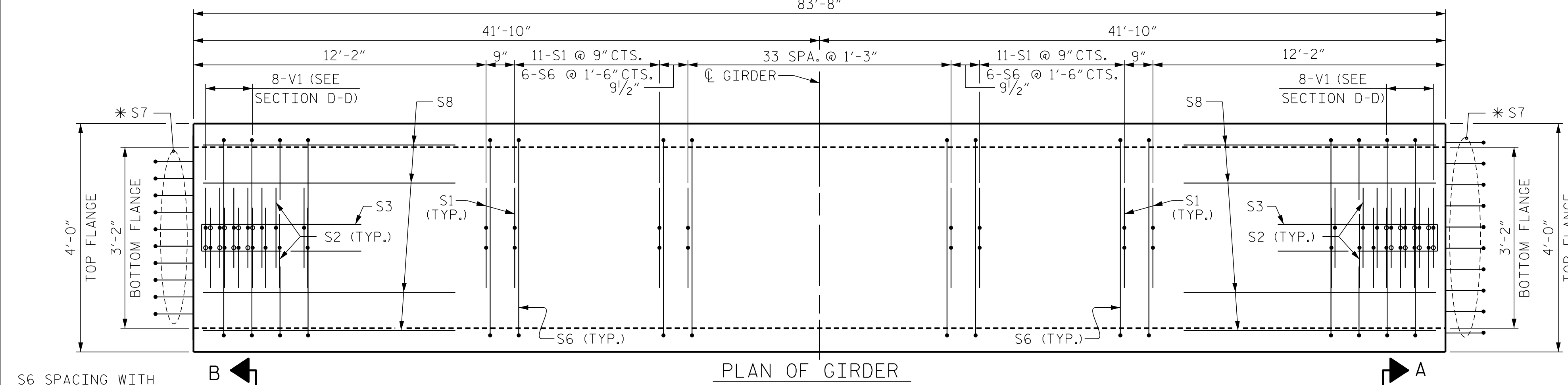
REINFORCING STEEL FOR ONE GIRDER					
BAR	NUMBER	SIZE	TYPE	LENGTH	WEIGHT
S1	196	#4	1	7'-3"	949
S2	24	#5	1	7'-3"	181
S3	12	#4	2	8'-4"	67
S4	220	#3	3	4'-4"	358
S5	54	#3	4	3'-3"	66
S6	74	#5	5	5'-9"	444
*S7	30	#5	STR	3'-8"	115
S8	8	#6	STR	26'-0"	312
S9	2	#3	STR	2'-10"	2
S10	8	#4	STR	8'-0"	43
V1	20	#5	STR	5'-4"	111

* NOTE: S7 BARS SHALL BE BENT BEFORE SHIPMENT. HEAT BENDING SHALL NOT BE ALLOWED.



QUANTITIES FOR ONE GIRDER		
REINFORCING STEEL	6,500 PSI CONCRETE	0.6" Ø L.R. STRANDS
LB.	C.Y.	No.
2,648	22.8	22

GIRDERS REQUIRED		
NUMBER	LENGTH	TOTAL LENGTH
4	83.67'	334.68'



PROJECT NO. B-5947
NASH COUNTY
 STATION: 23+90.50 -LREV-

ENGINEER OF RECORD
 10/18/2021

 Gregory M. Gilland
 ETHERILL ENGINEERING
 1223 Jones Franklin Rd.
 Raleigh, N.C. 27606
 Bus: 919 851 8077
 Fax: 919 851 8107
 LICENSE NO. F-0377

REVISIONS					
NO.	BY:	DATE:	NO.	BY:	DATE:
1			3		
2			4		

SHEET NO.	
S-15	TOTAL SHEETS 39

DRAWN BY: G. GILLAND DATE: 4-21-21
 CHECKED BY: JAD / TKK DATE: 8-23-21

DOCUMENT NOT CONSIDERED FINAL
 UNLESS ALL SIGNATURES COMPLETED

P:\2019\1911401_B-5947\Structures\GIRDER\01_001_B5947_SMU_PCG_001.dgn
 10/18/2021 10:53:01 AM