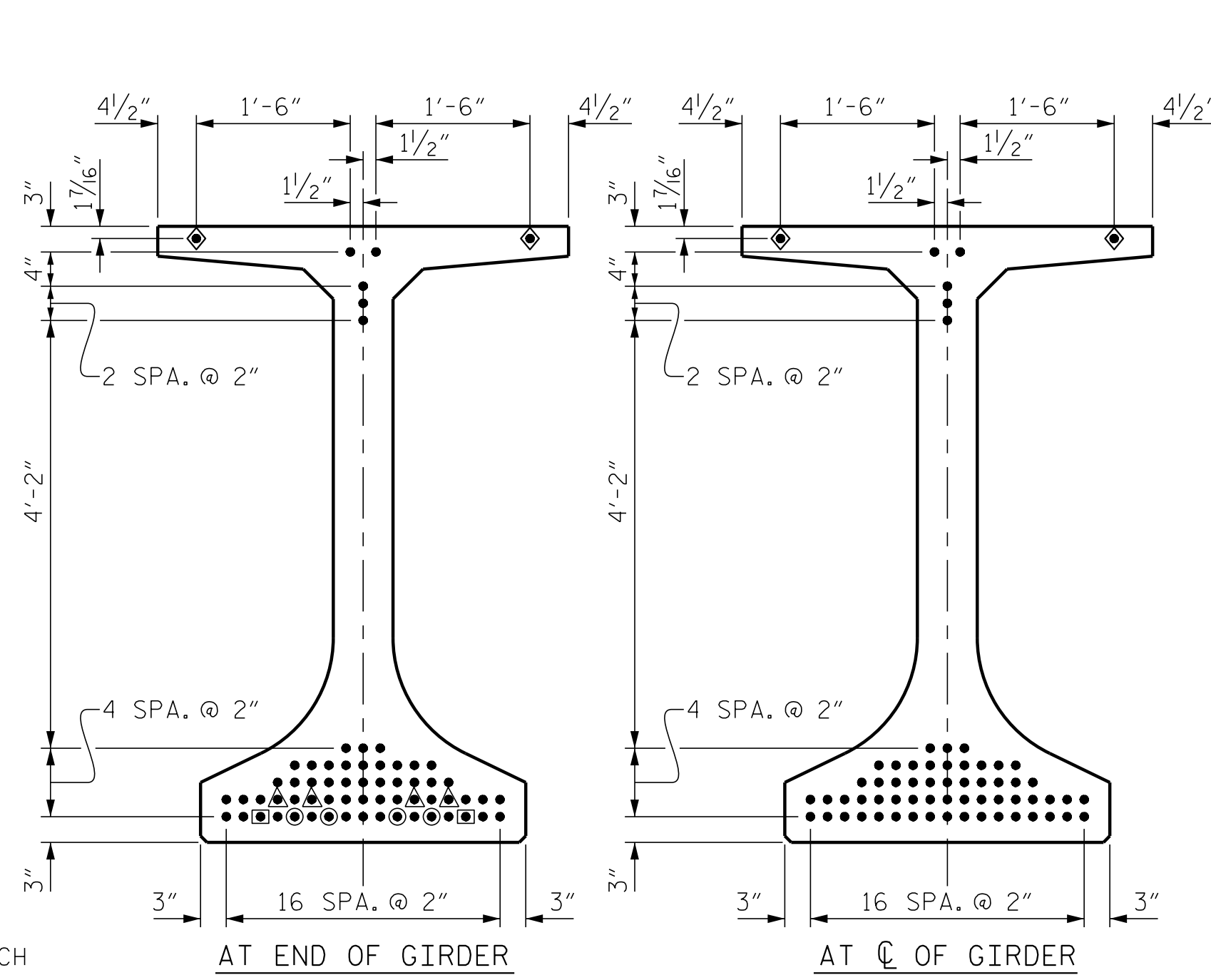


- DEBONDING LEGEND**
- FULLY BONDED STRANDS
 - ◻ STRANDS DEBONDED FOR 4'-0" FROM END OF GIRDER
 - ▲ STRANDS DEBONDED FOR 6'-0" FROM END OF GIRDER
 - STRANDS DEBONDED FOR 8'-0" FROM END OF GIRDER
 - ◆ 3/8" Ø STRAND PULLED TO A LOAD OF 10,000 LBS. EACH



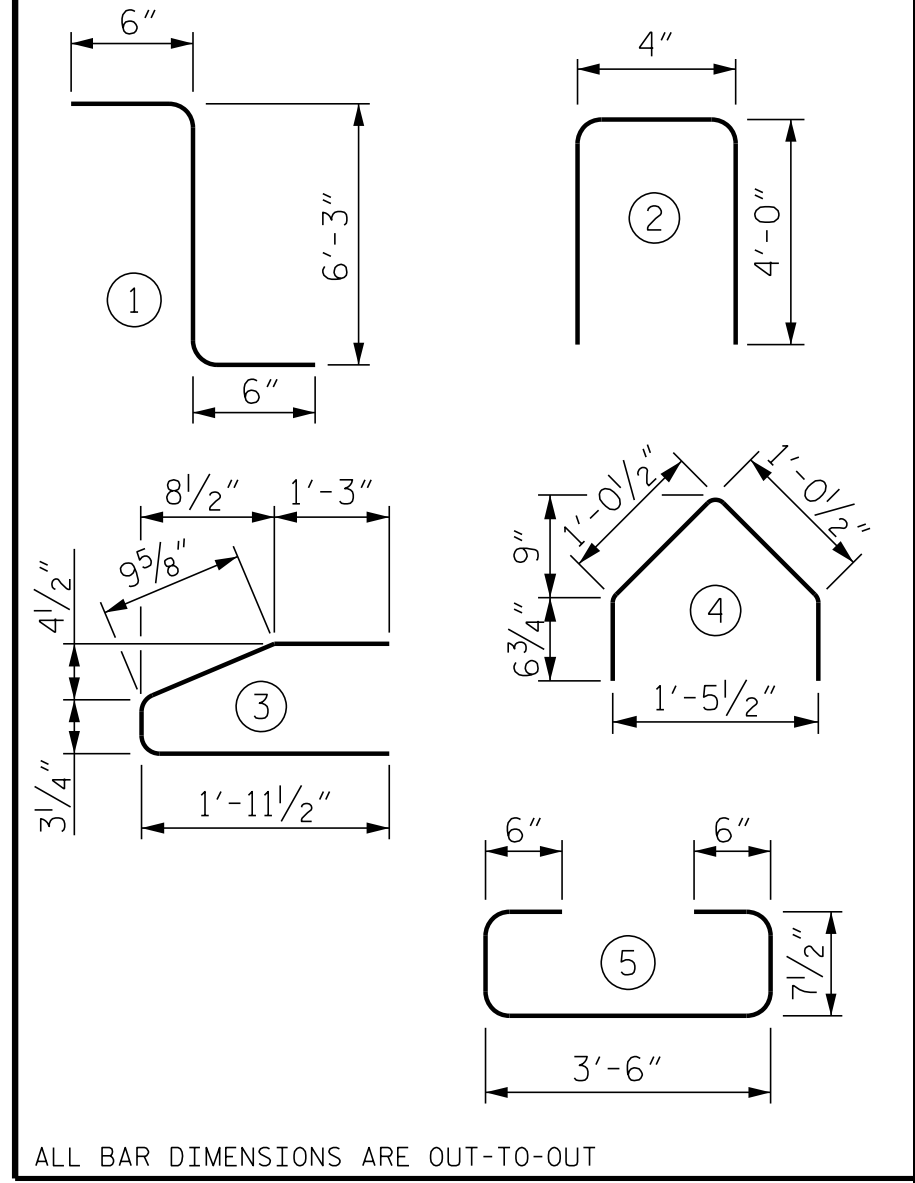
0.6" Ø LOW RELAXATION STRAND LAYOUT

0.6" Ø L. R. GRADE 270 STRANDS		
AREA (SQUARE INCHES)	ULTIMATE STRENGTH (LBS. PER STRAND)	APPLIED PRESTRESS (LBS. PER STRAND)
0.217	58,600	43,950

REINFORCING STEEL FOR ONE GDR					
BAR	NUMBER	SIZE	TYPE	LENGTH	WEIGHT
S1	264	#4	1	7'-3"	1279
S2	24	#5	1	7'-3"	181
S3	12	#4	2	8'-4"	67
S4	288	#3	3	4'-4"	469
S5	54	#3	4	3'-3"	66
S6	108	#5	5	5'-9"	648
*S7	20	#5	STR	3'-8"	76
S8	8	#6	STR	26'-0"	312
S9	2	#3	STR	2'-10"	2
S10	16	#4	STR	8'-0"	86
V1	24	#5	STR	5'-4"	134

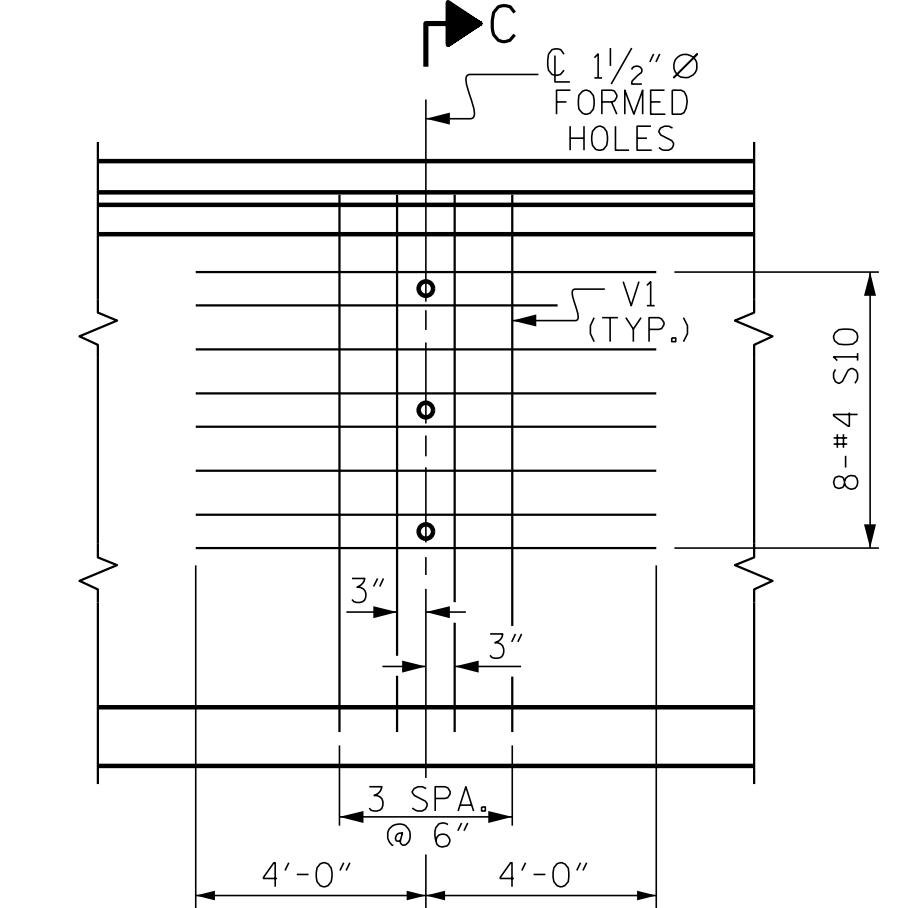
* NOTE: S7 BARS SHALL BE BENT BEFORE SHIPMENT. HEAT BENDING SHALL NOT BE ALLOWED.

BAR TYPES

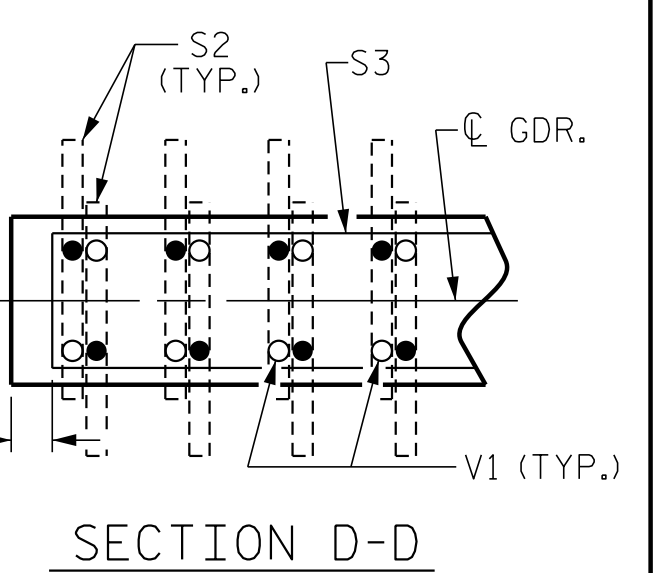


QUANTITIES FOR ONE GIRDER		
REINFORCING STEEL	9,500 PSI CONCRETE	0.6" Ø L.R. STRANDS
LB.	C.Y.	No.
3,320	39.2	62

GIRDERS REQUIRED		
NUMBER	LENGTH	TOTAL LENGTH
4	144.17'	576.67'



PARTIAL ELEVATION



DOCUMENT NOT CONSIDERED FINAL UNLESS ALL SIGNATURES COMPLETED

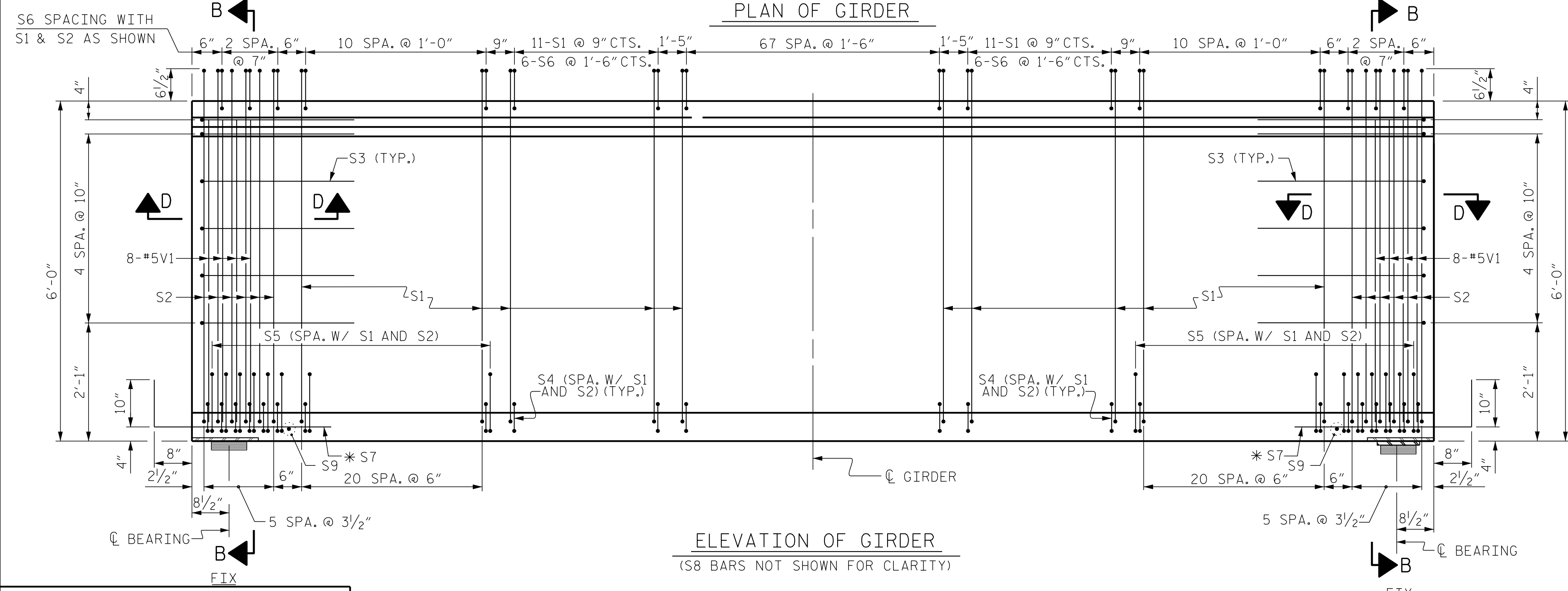
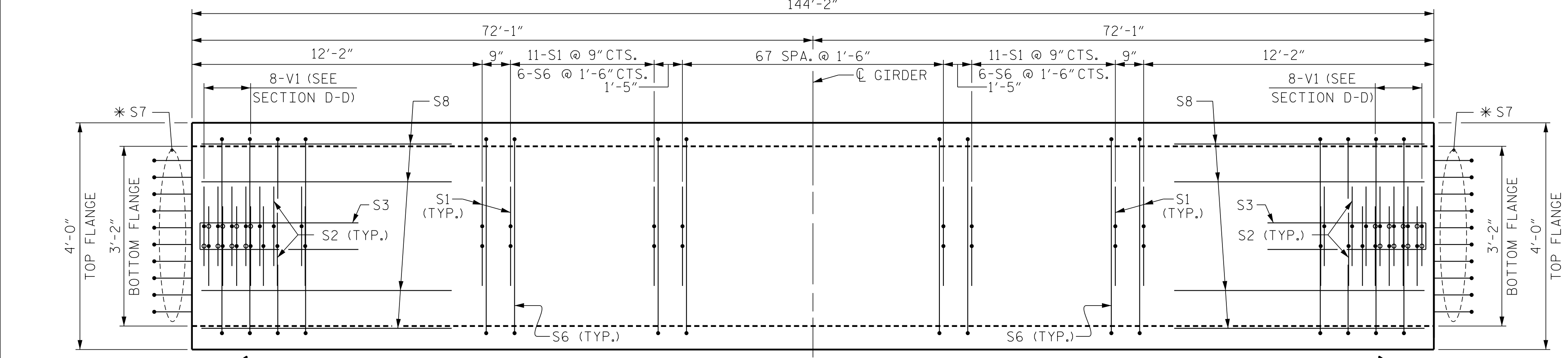
ENGINEER OF RECORD
 10/18/2021
 NORTH CAROLINA PROFESSIONAL SEAL 37400
 ENGINEER
 GREGORY M. GILLAND
 Gregory M. Gilland
 WETHERILL ENGINEERING
 1223 Jones Franklin Rd.
 Raleigh, N.C. 27606
 Bus: 919 851 8077
 Fax: 919 851 8107
 LICENSE NO. F-0377

PROJECT NO. B-5947
 NASH COUNTY
 STATION: 23+90.50 -LREV-

STATE OF NORTH CAROLINA
 DEPARTMENT OF TRANSPORTATION
 RALEIGH
 72" PRESTRESSED CONCRETE GIRDER (F.I.B.)
 CONTINUOUS FOR LIVE LOAD (SPAN B)

REVISIONS					
NO.	BY:	DATE:	NO.	BY:	DATE:
1			3		
2			4		

SHEET NO. S-14
 TOTAL SHEETS 39



DRAWN BY: G. GILLAND DATE: 4-21-21
 CHECKED BY: JAD / TKK DATE: 8-23-21

P:\2019\1911401_B-5947\Structures\GDM401_001_B5947_SMU_PCG_001.dgn
 10/18/2021 10:51:51 AM