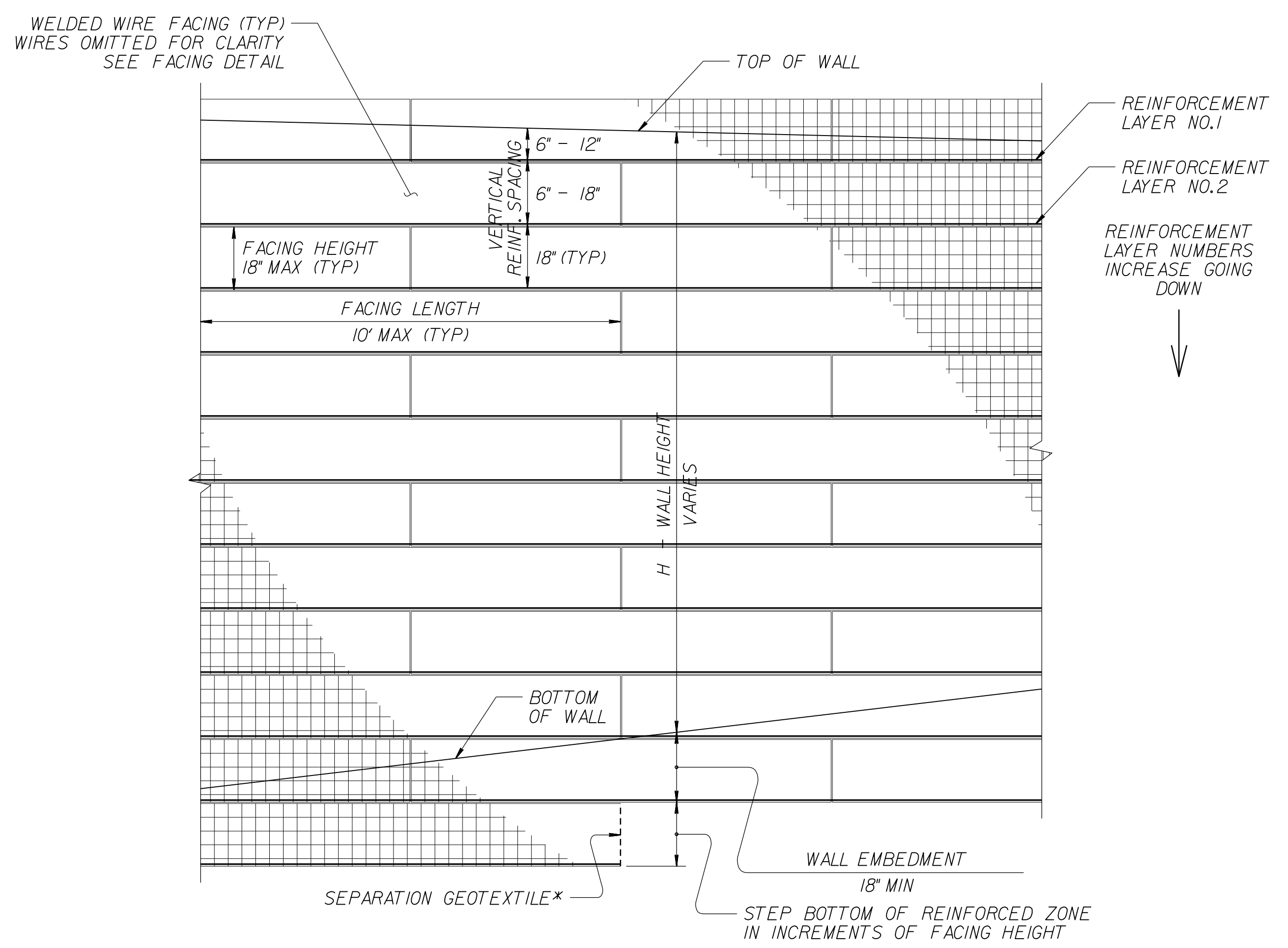
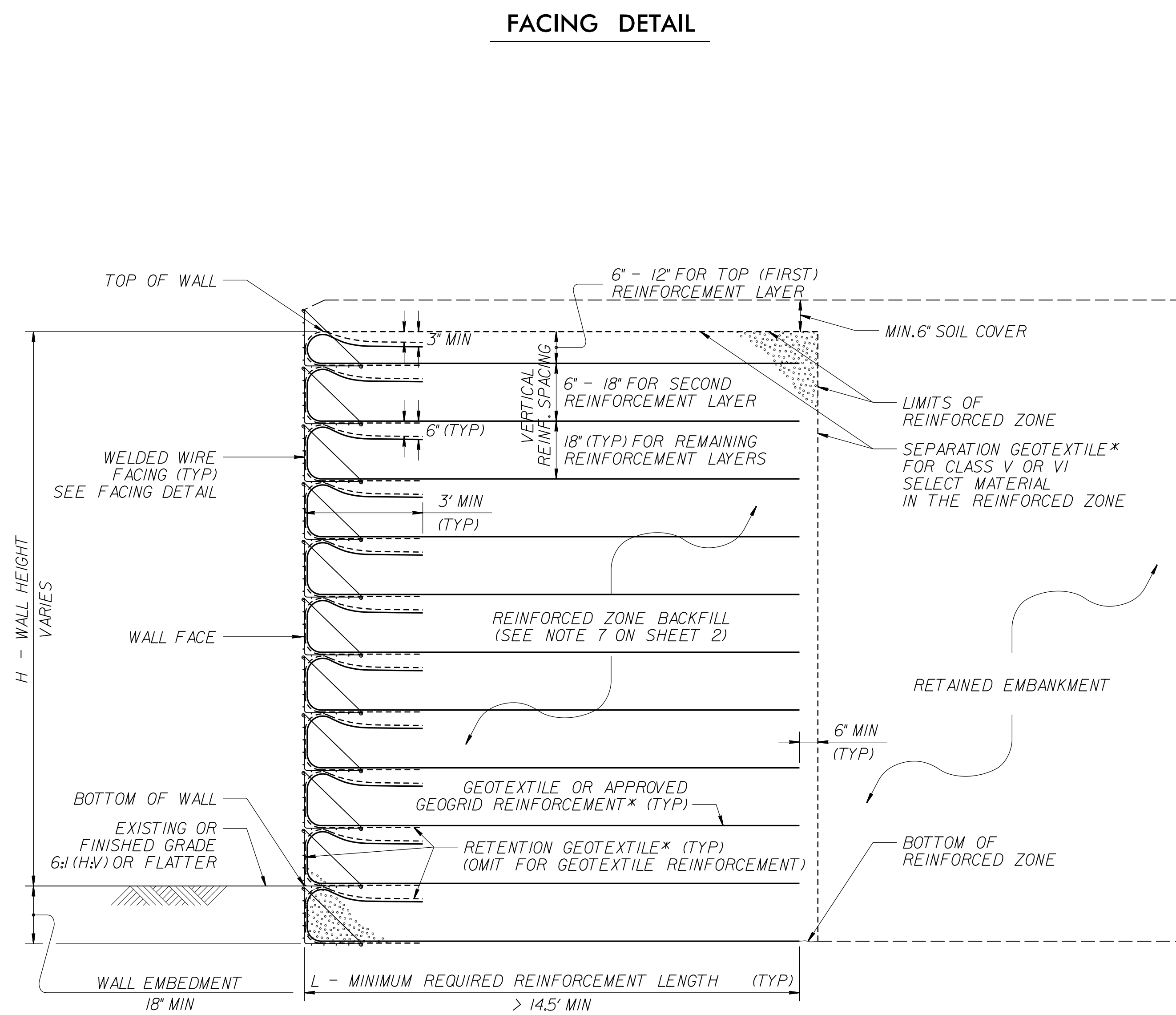
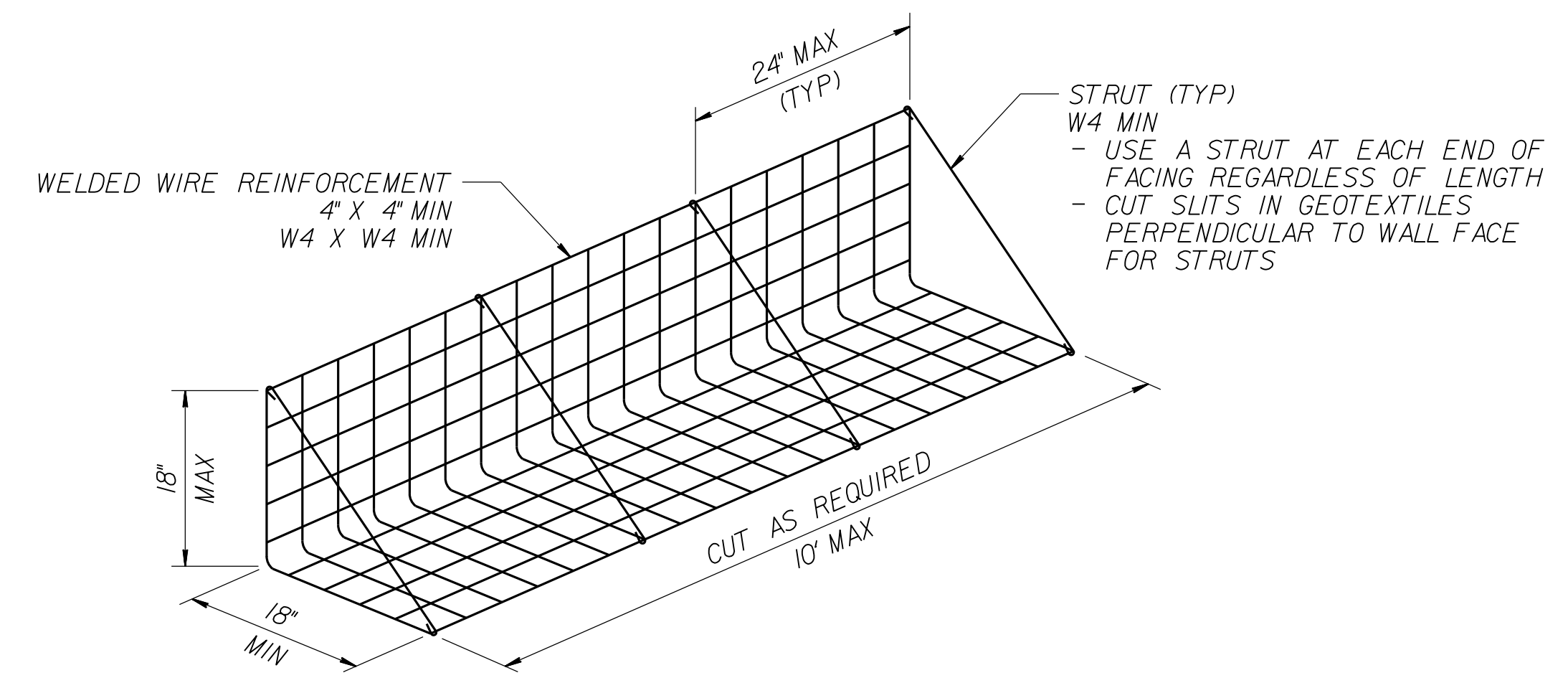


GEOTECHNICAL ENGINEER

ENGINEER

DocuSigned by:
Jeremy R Hamm 9/17/2021
4622023048BC46A

DOCUMENT NOT CONSIDERED FINAL UNLESS ALL SIGNATURES COMPLETED



PREPARED BY: S. C. CROCKETT DATE: 9/16/21
 REVIEWED BY: J. R. HAMM DATE: 9/16/21

FALCON ENGINEERING, INC.
 1210 TRINITY ROAD, SUITE 110
 GARY, NC 27513
 PHONE: 919.871.0800
 www.falconengineers.com

**NORTH CAROLINA
 DEPARTMENT OF TRANSPORTATION
 DIVISION OF HIGHWAYS**

**GEOTECHNICAL
 ENGINEERING UNIT**

PROJECT NO.: P-5705A
 MECKLENBURG COUNTY
 STATION: -L- 20+49.45
 SHEET 2 OF 3

TEMPORARY MSE WALL TYPICAL DETAILS					
REVISIONS					
NO.	BY	DATE	NO.	BY	DATE
1			3		
2			4		

SHEET NO. 2G-2