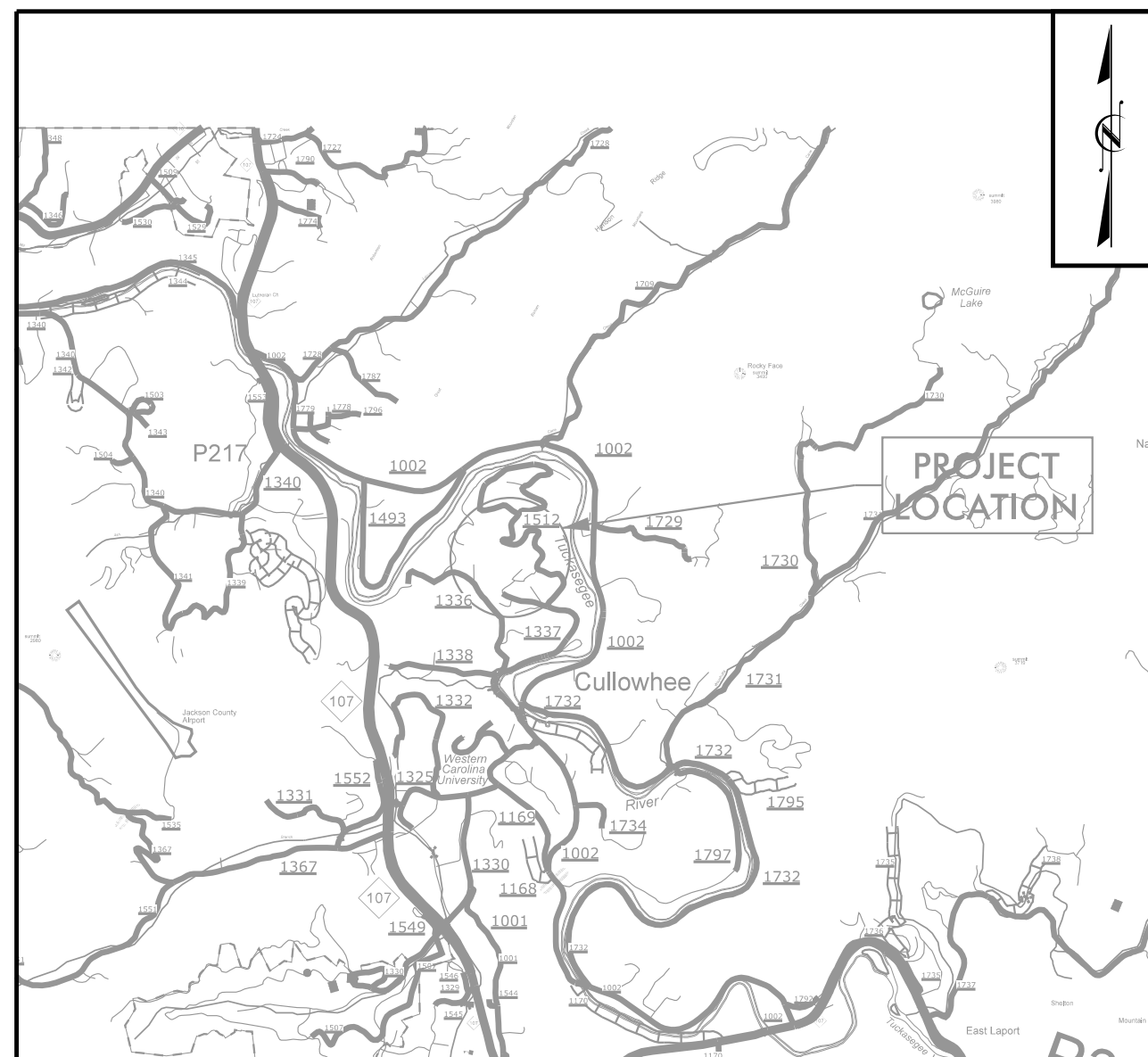


25% UO PLANS 12/31/18
 DUKE PLANS ADDED 4/18/19
 REVISED DUKE PLANS ADDED 9/12/19
 MBB PLANS ADDED 12/20/19
 REVISED MBB PLANS ADDED 2/05/20
 FRONTIER ENERGY PLANS ADDED 5/13/20
 DOMINION ENERGY PLANS ADDED 12/3/20
 REVISED FRONTIER PLANS ADDED 2/11/21
 REVISED DOMINION ENERGY PLANS ADDED 2/25/21

CONTRACT: C204715



VICINITY MAP (NOT TO SCALE)

STATE OF NORTH CAROLINA
 DIVISION OF HIGHWAYS

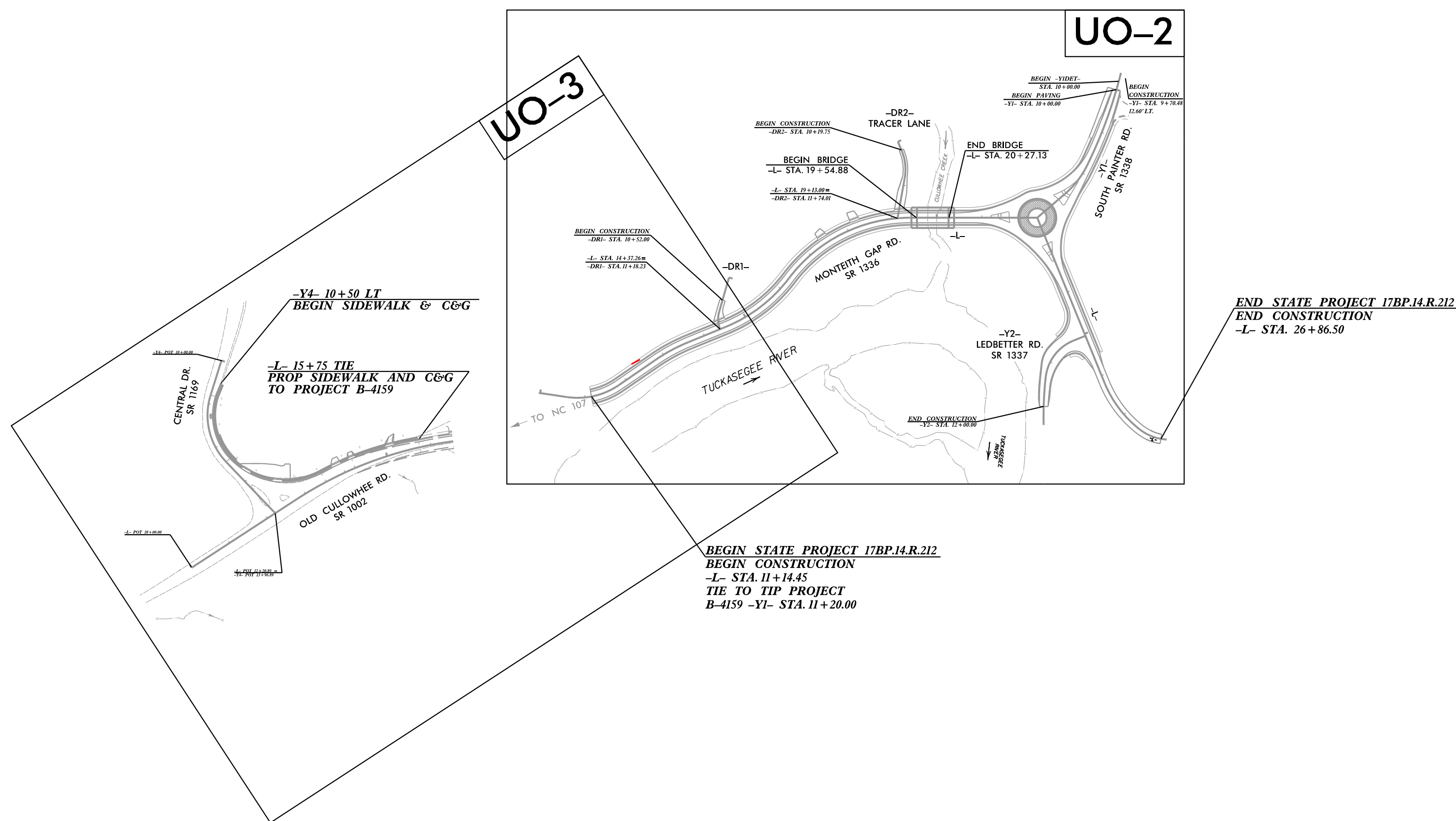
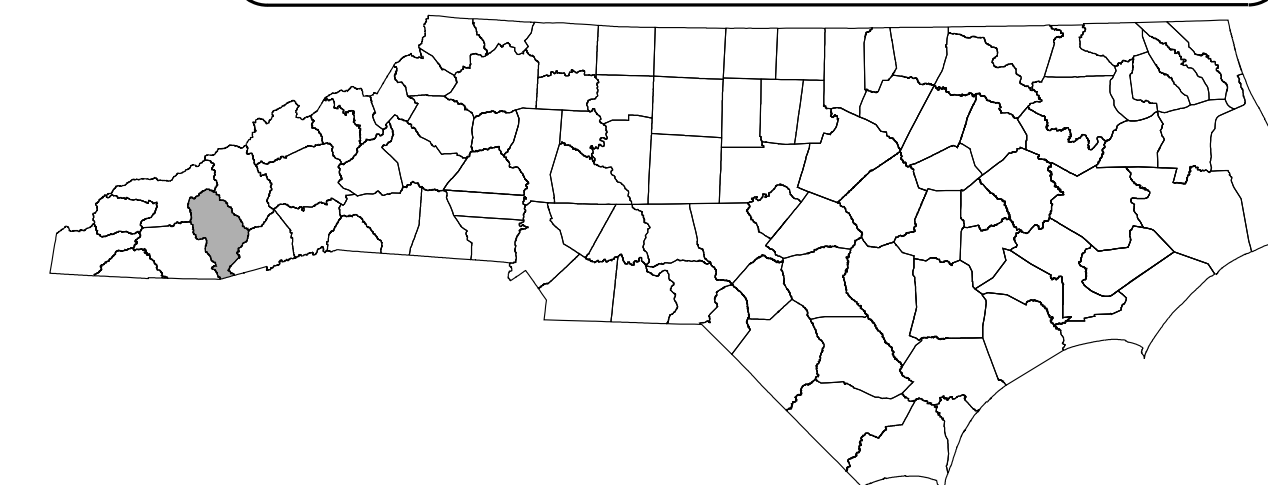
**UTILITIES BY OTHERS PLANS
 JACKSON COUNTY**

**LOCATION: SR 1336 (MONTEITH GAP ROAD) FROM NORTH OF
 SR 1002 (OLD CULLOWHEE ROAD) TO NORTH OF
 SR 1337 (LEDBETTER ROAD)
 SR 1169 (CENTRAL DRIVE)**

TYPE OF WORK: RELOCATION OF POWER, TELEPHONE, TV & GAS

STATE PROJECT NO.	SHEET NO.
17BP.14.R.212	UO-1

NOTE:
 ALL UTILITY WORK SHOWN ON THIS SHEET WILL BE DONE BY OTHERS. NO PAYMENT WILL BE MADE TO THE CONTRACTOR FOR UTILITY WORK SHOWN ON THIS SHEET.



GRAPHIC SCALES



INDEX OF SHEETS

SHEET NO.:	DESCRIPTION:
UO-1	TITLE SHEET
UO-2	UBO PLAN SHEET
UO-3	UBO PLAN SHEET

UTILITY OWNERS WITH CONFLICTS

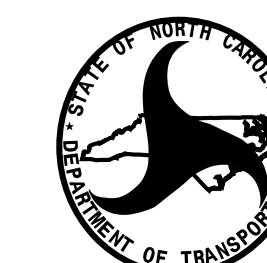
- (A) POWER - WESTERN CAROLINA UNIVERSITY
- (B) POWER - DUKE ENERGY
- (C) TELEPHONE - FRONTIER COMMUNICATIONS AUTHORITY
- (D) WATER - TUCKASEEGEE WATER & SEWER AUTHORITY
- (E) SEWER - TUCKASEEGEE WATER & SEWER AUTHORITY
- (F) CATV - MORRIS BROADBAND

PREPARED IN THE OFFICE OF:



Consulting Engineers
 1318-F Patton Avenue
 Asheville, NC 28806
 (828) 253-2796

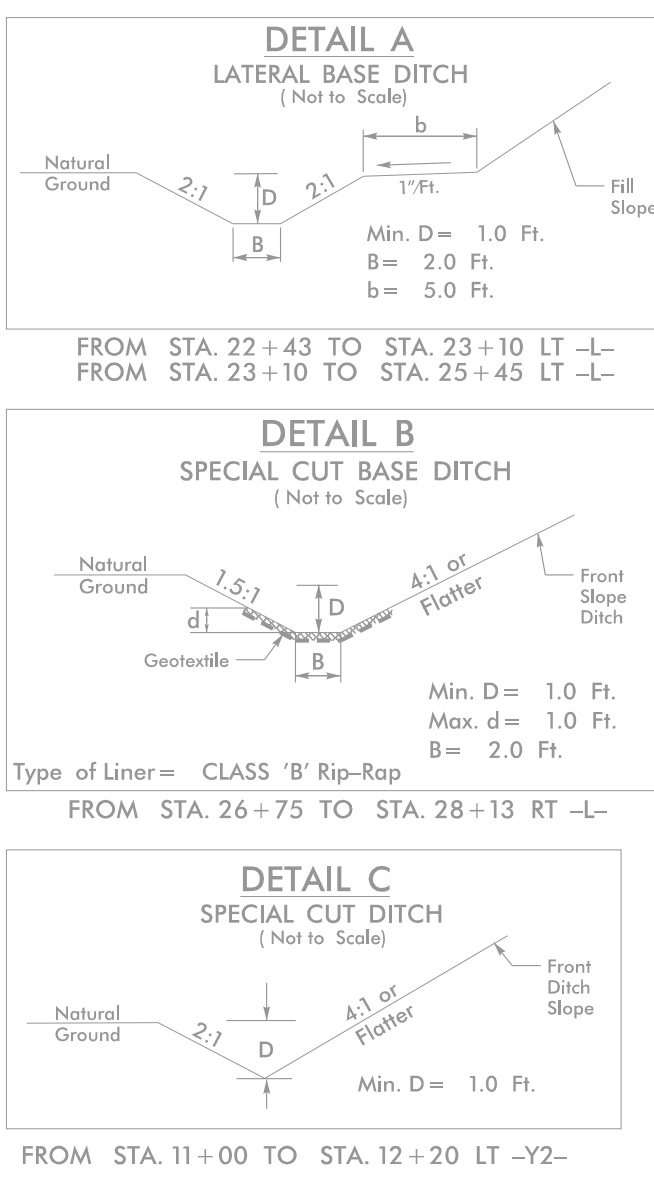
Nick V. Asaro PROJECT UTILITY MANAGER
 James R. Montgomery PROJECT UTILITY COORDINATOR



**DIVISION OF HIGHWAYS
 UTILITIES UNIT**
 1555 MAIL SERVICES CENTER
 RALEIGH, NC 27699-1555
 PHONE (919) 707-6690
 FAX (919) 250-4151

Bob Golding DIVISIONAL UTILITY ENGINEER
 Bill Green DIV UTILITIES COORDINATOR

25% UO PLANS 12/31/18
 DUKE PLANS ADDED 4/18/19
 REVISED DUKE PLANS ADDED 9/12/19
 MBB PLANS ADDED 12/20/19
 FRONTIER PLANS ADDED 2/19/20
 DOMINION ENERGY PLANS ADDED 5/13/20
 REVISED FRONTIER PLANS ADDED 12/3/20
 REVISED DOMINION ENERGY PLANS ADDED 2/11/21
 REVISED FRONTIER PLANS ADDED 2/25/21

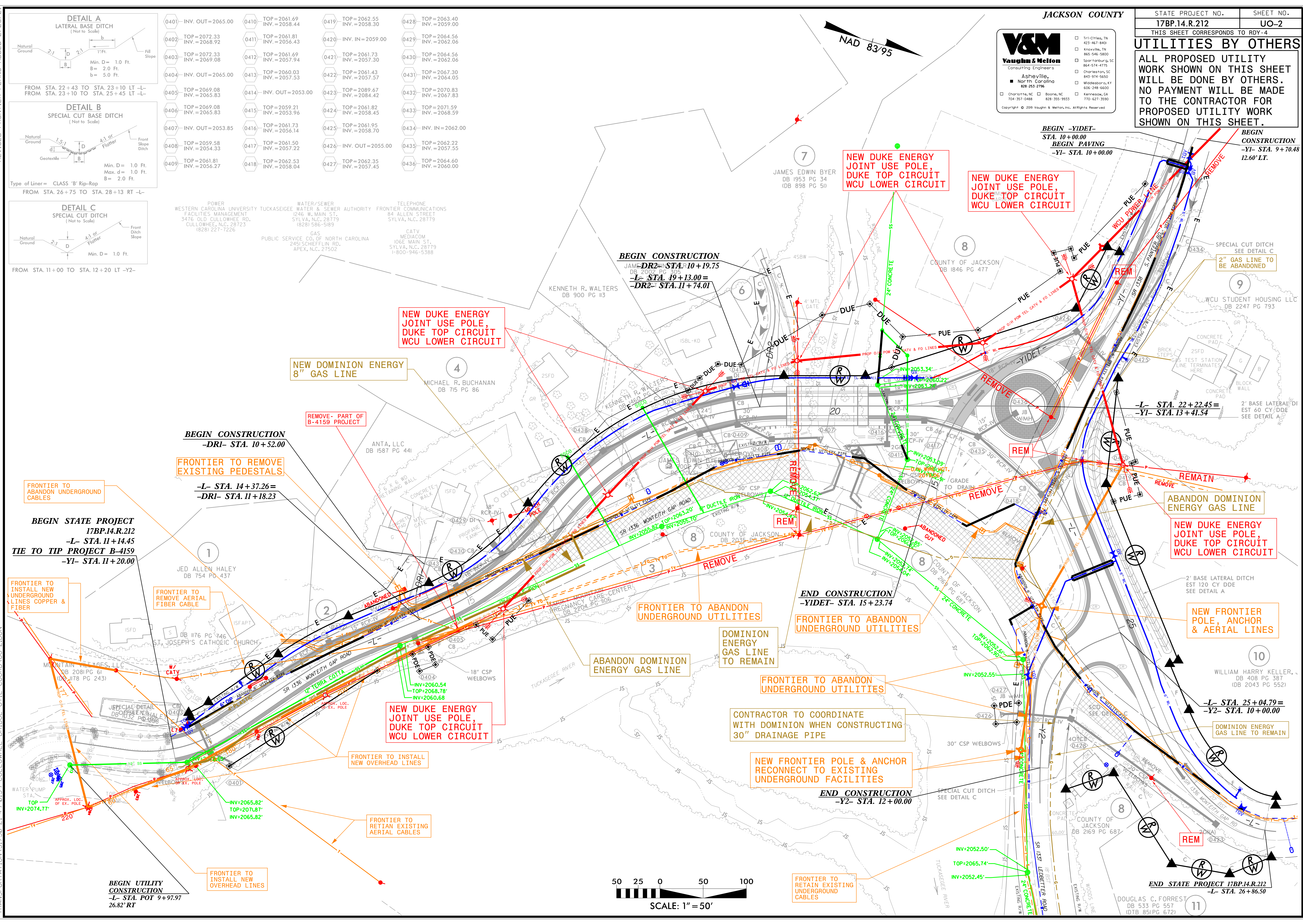


0401- INV. OUT=2065.00	0410- TOP=2061.69 INV.=2058.44	0419- TOP=2062.55 INV.=2058.30	0428- TOP=2063.40 INV.=2059.00
0402- TOP=2072.33 INV.=2068.92	0411- TOP=2061.81 INV.=2056.43	0420- INV. IN=2059.00	0429- TOP=2064.56 INV.=2062.06
0403- TOP=2072.33 INV.=2069.08	0412- TOP=2061.69 INV.=2057.94	0421- TOP=2061.73 INV.=2057.30	0430- TOP=2064.56 INV.=2062.06
0404- INV. OUT=2065.00	0413- TOP=2060.03 INV.=2057.53	0422- TOP=2061.43 INV.=2057.57	0431- TOP=2067.30 INV.=2064.05
0405- TOP=2069.08 INV.=2065.83	0414- INV. OUT=2063.00	0423- TOP=2089.67 INV.=2084.42	0432- TOP=2070.83 INV.=2067.83
0406- TOP=2069.08 INV.=2065.83	0415- TOP=2059.21 INV.=2053.96	0424- TOP=2061.82 INV.=2058.45	0433- TOP=2071.59 INV.=2068.59
0407- INV. OUT=2053.85	0416- TOP=2061.73 INV.=2056.14	0425- TOP=2061.95 INV.=2058.70	0434- INV. IN=2062.00
0408- TOP=2059.58 INV.=2054.33	0417- TOP=2061.50 INV.=2057.22	0426- INV. OUT=2055.00	0435- TOP=2062.22 INV.=2057.35
0409- TOP=2061.81 INV.=2056.27	0418- TOP=2062.53 INV.=2058.04	0427- TOP=2062.35 INV.=2057.45	0436- TOP=2064.40 INV.=2060.00

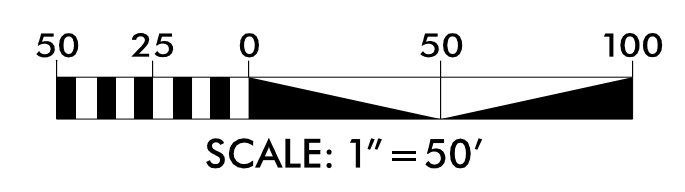
POWER WESTERN CAROLINA UNIVERSITY TUCKASEE TUCKASEE WATER & SEWER AUTHORITY FRONTIER COMMUNICATIONS
 FACILITIES MANAGEMENT 3476 OLD CULLOWHEE RD. CULLOWHEE, N.C. 28723 (828) 227-7226
 246 W. MAIN ST. SYLVIA, N.C. 28779 (828) 586-5189
 84 ALLEN STREET SYLVIA, N.C. 28779
 GAS PUBLIC SERVICE CO. OF NORTH CAROLINA 2451 SCHEFFLIN RD. APEX, N.C. 27502
 CATV MEDIACOM 109E MAIN ST. SYLVIA, N.C. 28779 1-800-946-5388
 TELEPHONE FRONTIER COMMUNICATIONS 84 ALLEN STREET SYLVIA, N.C. 28779

ALL PROPOSED UTILITY WORK SHOWN ON THIS SHEET WILL BE DONE BY OTHERS. NO PAYMENT WILL BE MADE TO THE CONTRACTOR FOR PROPOSED UTILITY WORK SHOWN ON THIS SHEET.

V&M
 Vaughn & Melton
 Consulting Engineers
 Asheville, North Carolina
 828-253-2796
 704-351-0488 828-355-9333
 Copyright © 2019 Vaughn & Melton, Inc. All Rights Reserved

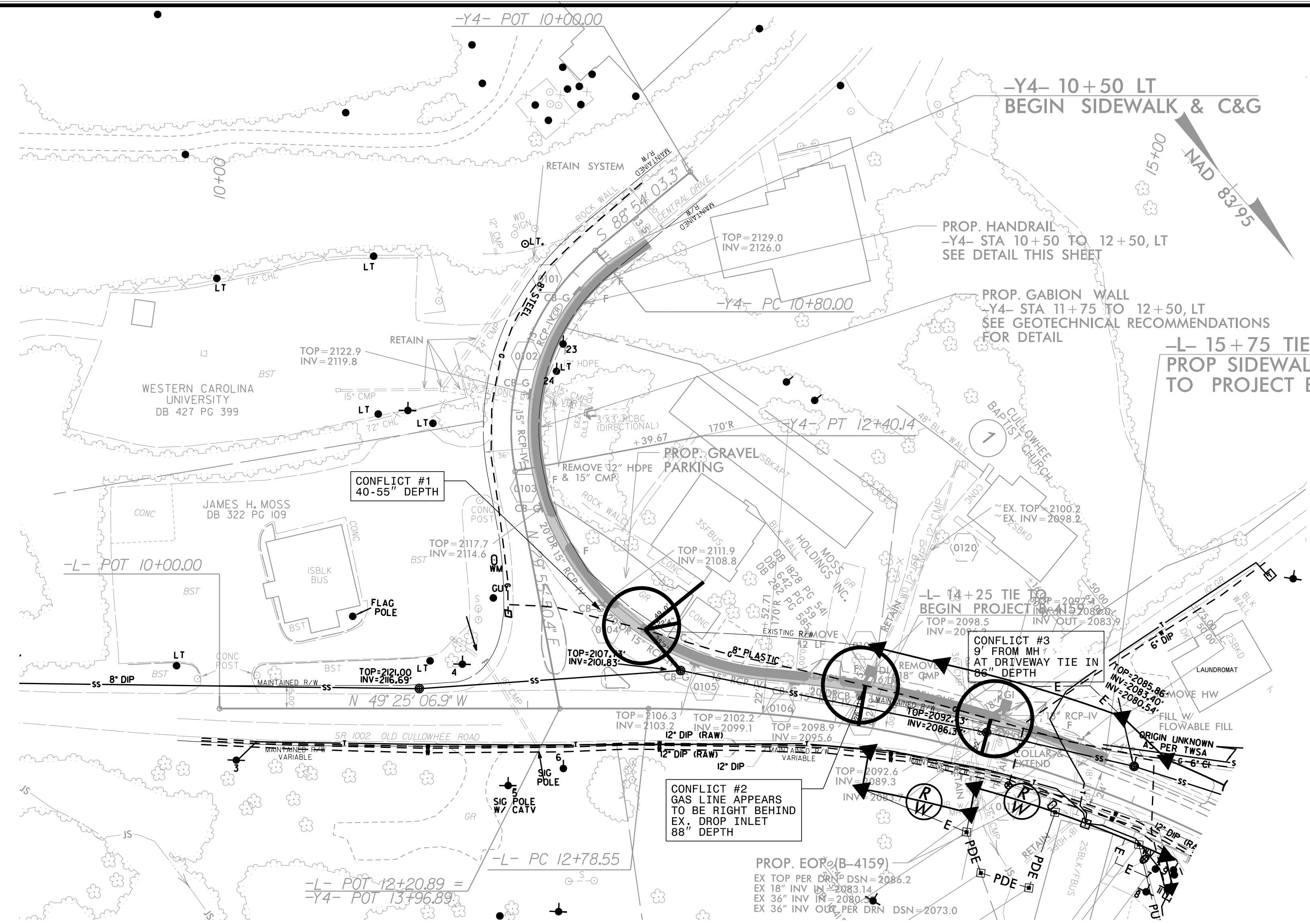


TRANSPORTATION 31730-21-49-0159 CULLOWHEE BRIDGE UTIL. COORDIN. UO-2.DGN



5/14/2022

1/19/2022 9:34:44 AM Sidewalk_U0-3.dgn



-Y4- CURVE DATA	-L- CURVE DATA
PI Sta 11+68.65	PI Sta 26+65.65
$\Delta = 61^{\circ}10'06.3"$ (LT)	$\Delta = 118^{\circ}08'55.9"$ (RT)
$D = 38'11"49.9"$	$D = 6'53'41.3"$
$L = 160.14'$	$L = 1,713.59'$
$T = 88.65'$	$T = 1,387.09'$
$R = 150.00'$	$R = 831.00'$

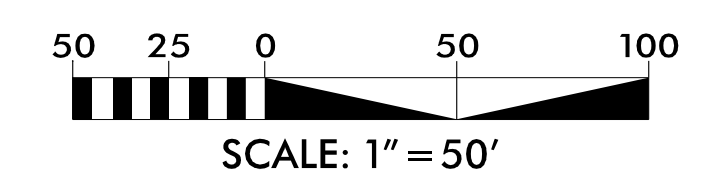
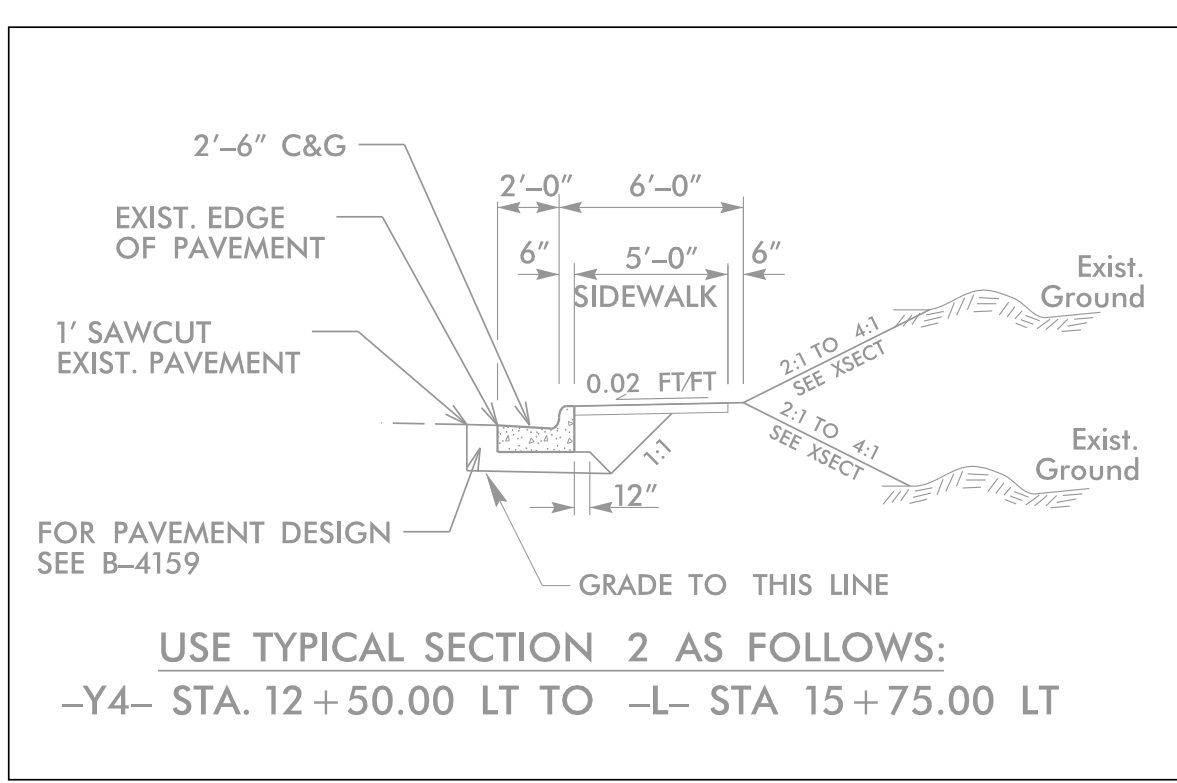
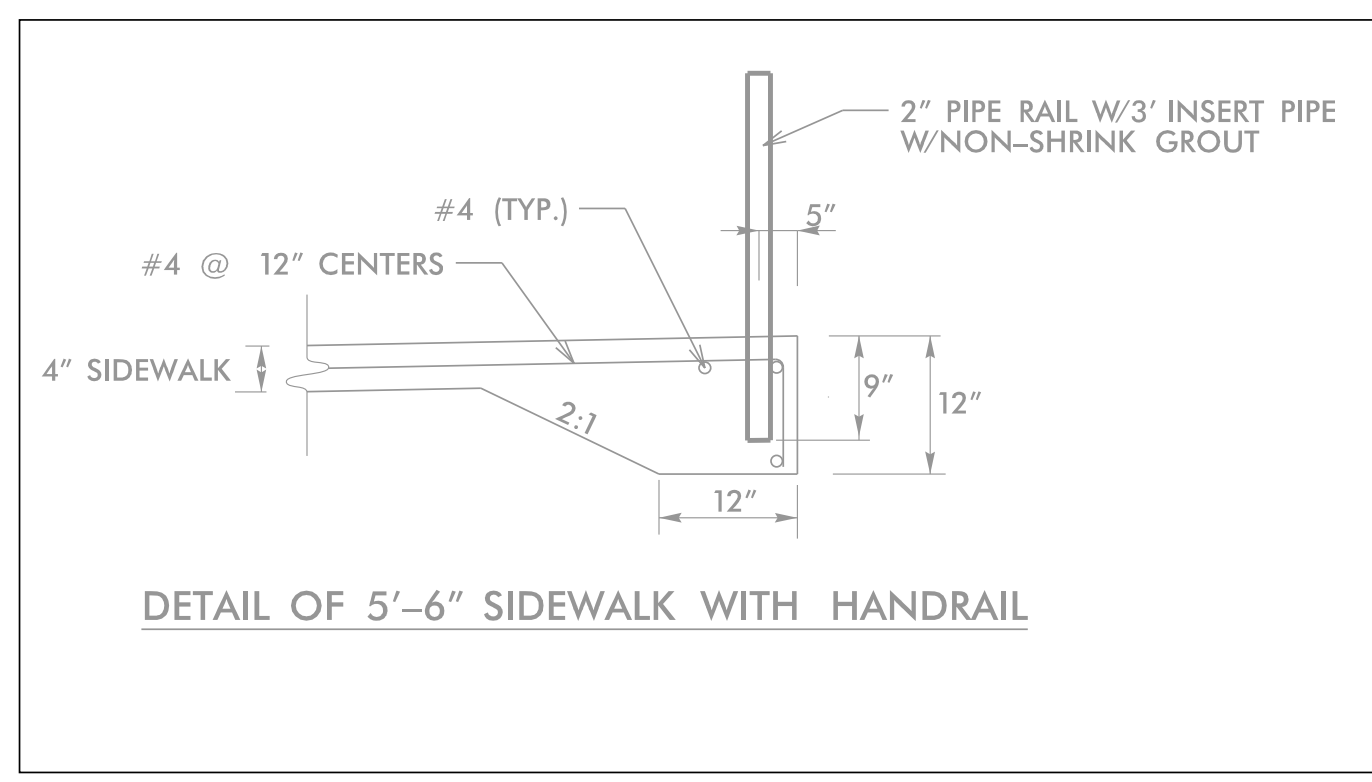
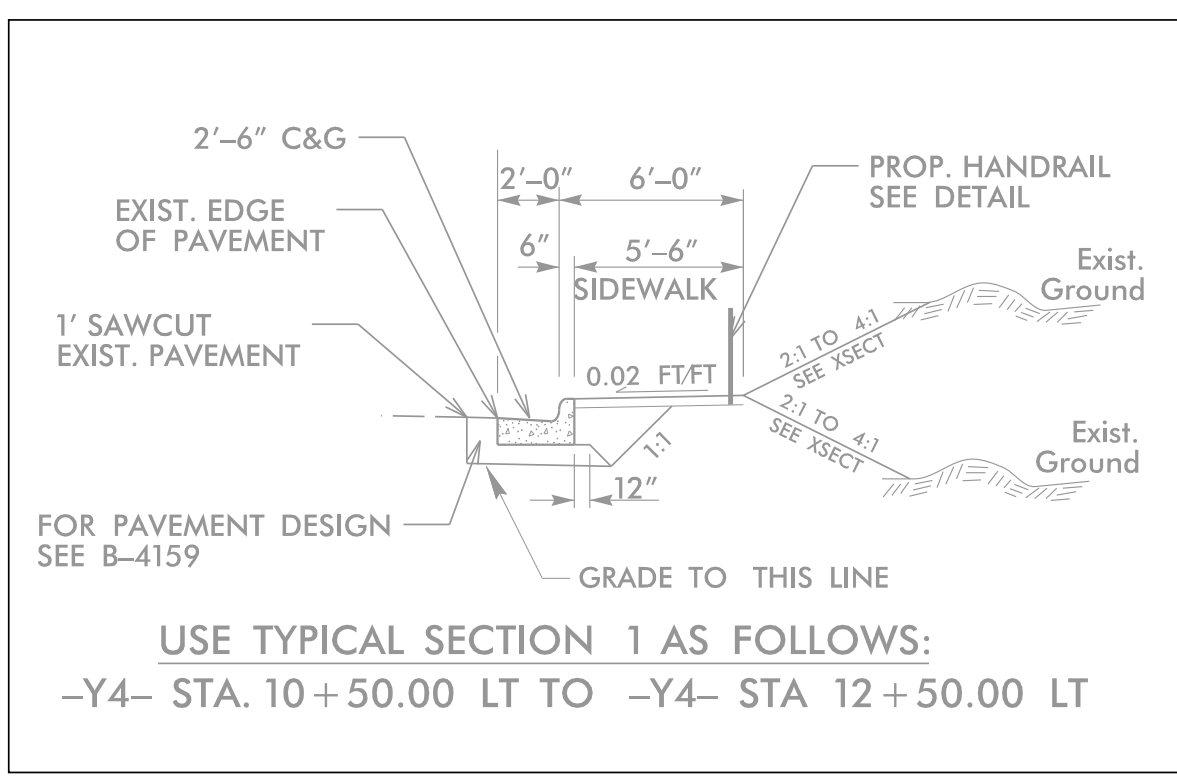
JACKSON COUNTY

STATE PROJECT NO. 17BP.14.R.212	SHEET NO. U0-3
------------------------------------	-------------------

THIS SHEET CORRESPONDS TO RDY-

UTILITIES BY OTHERS

ALL PROPOSED UTILITY WORK SHOWN ON THIS SHEET WILL BE DONE BY OTHERS. NO PAYMENT WILL BE MADE TO THE CONTRACTOR FOR PROPOSED UTILITY WORK SHOWN ON THIS SHEET.



V&M
Vaughn & Melton
Consulting Engineers

Asheville, North Carolina
828-253-2798

- Tr1-01166, TN 423-467-8401
- Knoxville, TN 865-546-3900
- Spartanburg, SC 864-574-4775
- Charleston, SC 843-574-5620
- Middleboro, VT 606-248-6600
- Chattanooga, TN 423-587-0488
- Boone, NC 828-335-9933
- Kennesaw, GA 770-627-9590

Copyright © 2025 Vaughn & Melton, Inc. All Rights Reserved.