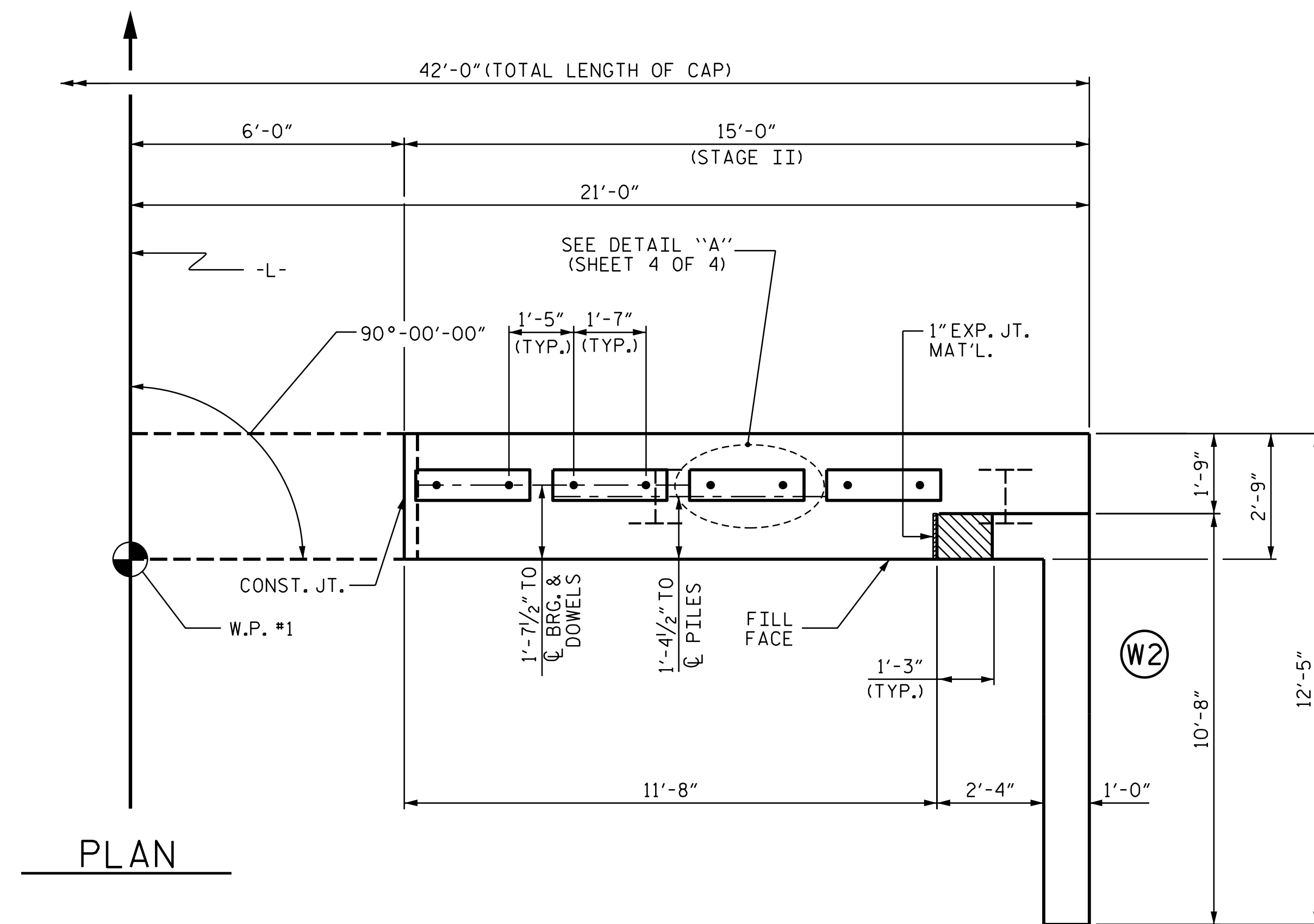
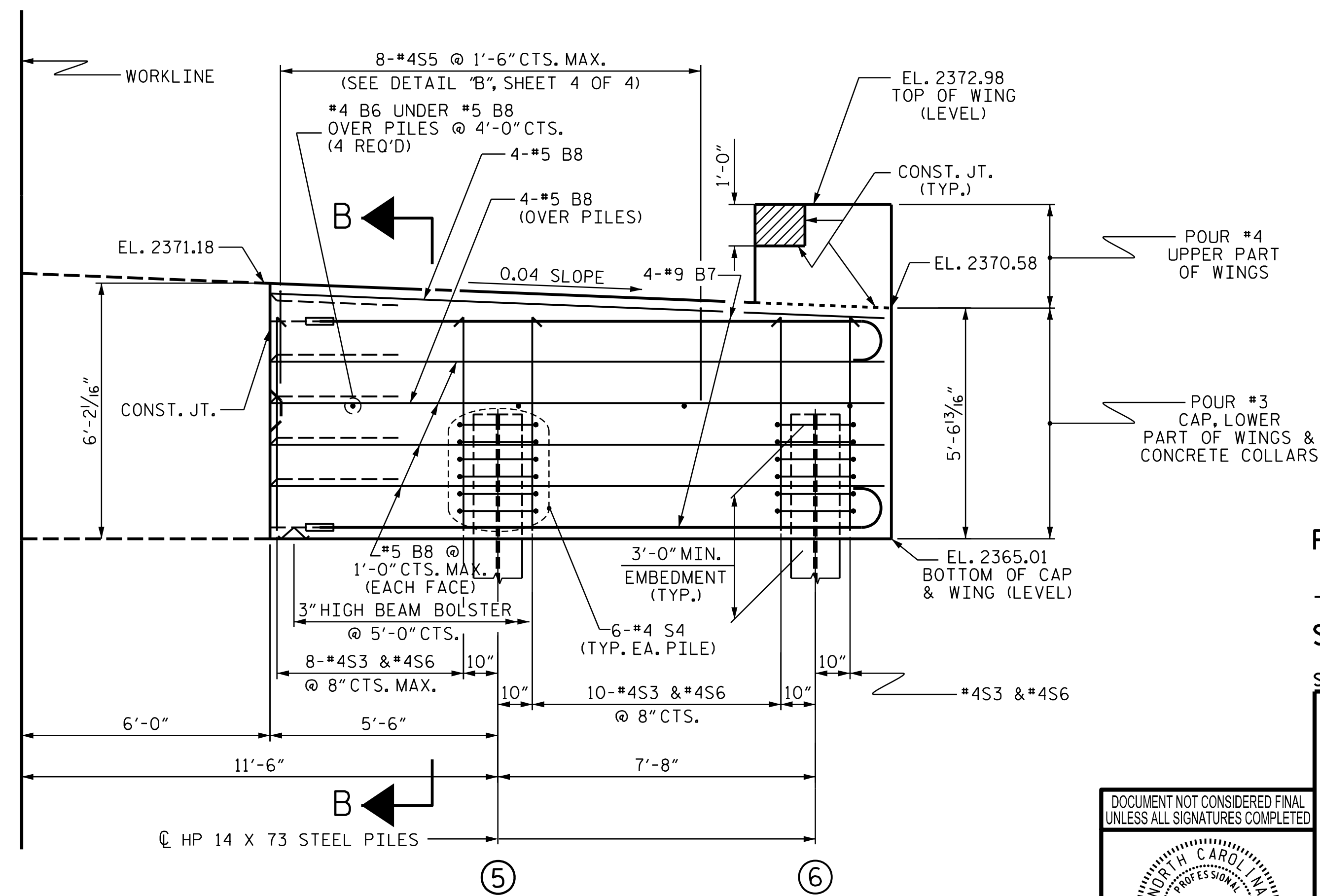


NOTES

FOR NOTES, SEE SHEET 1 OF 4.



PLAN

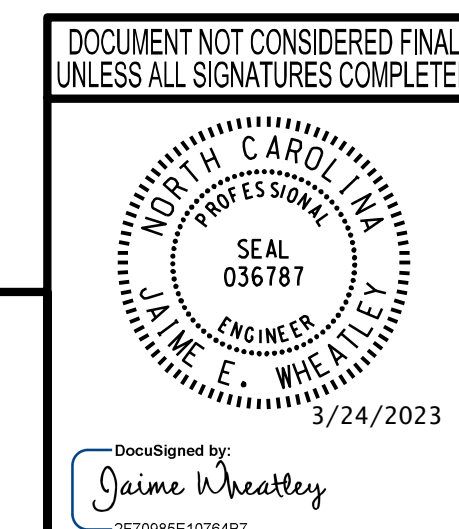


ELEVATION

WING NOT SHOWN FOR CLARITY.  
 FOR SECTION B-B, SEE SHEET 4 OF 4.  
 CONCRETE COLLARS FOR STEEL PILES NOT SHOWN IN PLAN AND ELEVATION VIEWS FOR CLARITY.  
 SEE "CORROSION PROTECTION FOR STEEL PILES DETAIL", SHEET 4 OF 4.

PROJECT NO. B-5893  
MITCHELL COUNTY  
 STATION: 12+89.50 -L-  
 SHEET 2 OF 4

STATE OF NORTH CAROLINA DEPARTMENT OF TRANSPORTATION RALEIGH					
SUBSTRUCTURE					
END BENT No. 1 STAGE II					
REVISIONS					
NO.	BY:	DATE:	NO.	BY:	DATE:
1			3		
2			4		
SHEET NO.					S-15
TOTAL SHEETS					24



**wsp**  
 WSP USA Inc.  
 434 FAYETTEVILLE STREET  
 SUITE 1500  
 RALEIGH, NC 27601  
 TEL: 1.919.836.4040  
 LICENSE NO. F-0165

3/24/2023  
 J:\188906R-14 B-5893 Bridge 19 over Cub Creek Structures\2.0 Drafting\DCNS\401.031.B5893\_SMJ.EI02.dgn

DESIGNED BY:	J. WHEATLEY	DATE:	MAR 2023
DRAWN BY:	J. WHEATLEY	DATE:	MAR 2023
CHECKED BY:	T. KIRSCHBAUM	DATE:	MAR 2023
DESIGN ENGINEER OF RECORD:	J. WHEATLEY	DATE:	MAR 2023