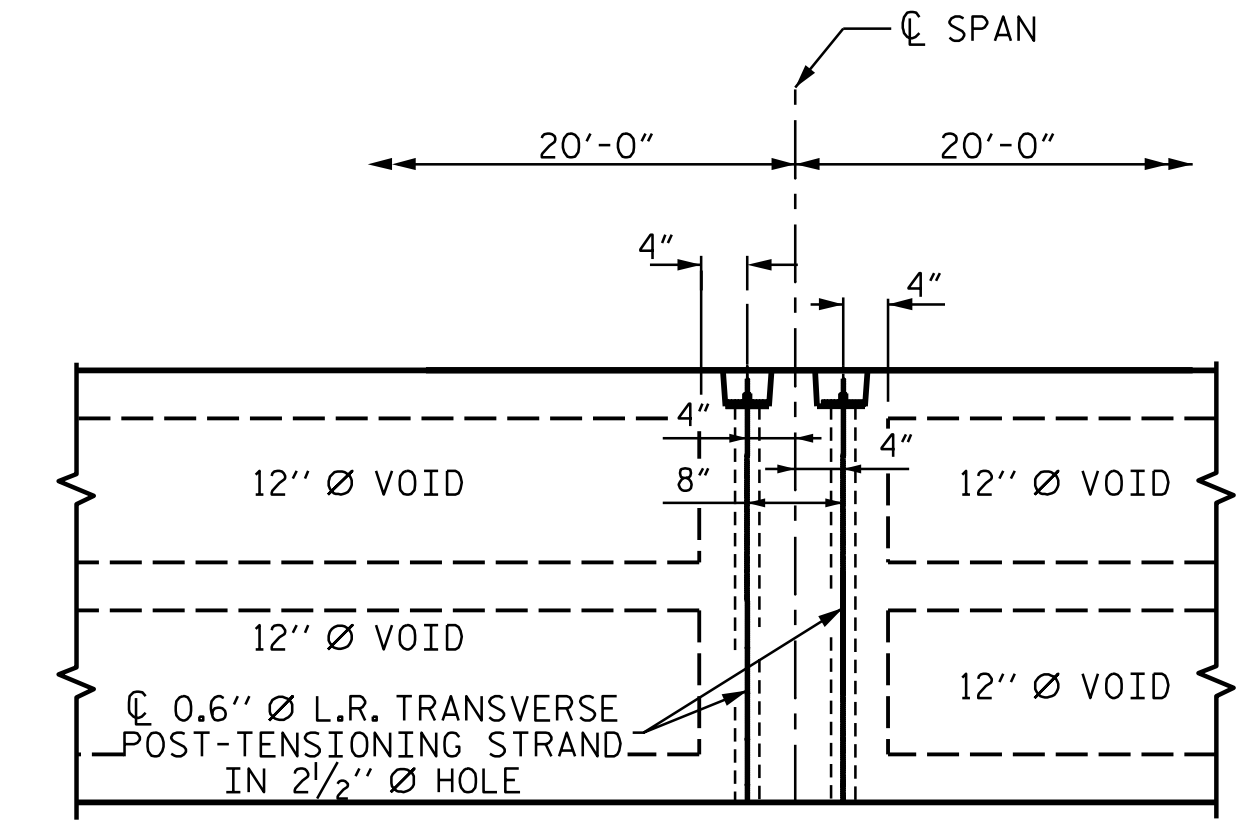
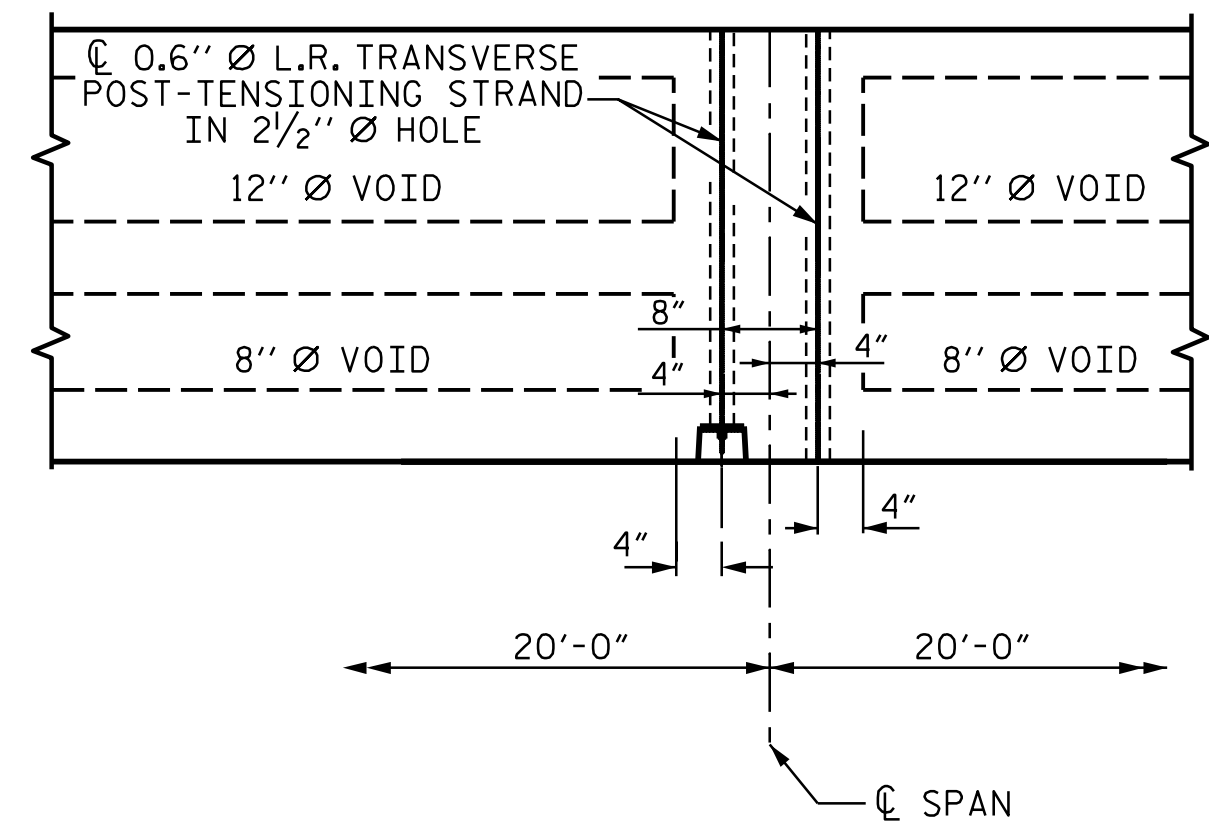


DETAIL "A"
 (TYPICAL EACH END OF UNIT)
 NOTE: EXTERIOR UNIT SHOWN - INTERIOR UNIT SIMILAR EXCEPT OMIT #5 S3 BARS.



DETAIL "B"
 #4 S2 BARS MAY BE SHIFTED AS NECESSARY TO MAINTAIN 1" CLEAR TO GROUTED RECESS AND 2 1/2" Ø TRANSVERSE POST-TENSIONING STRAND HOLES

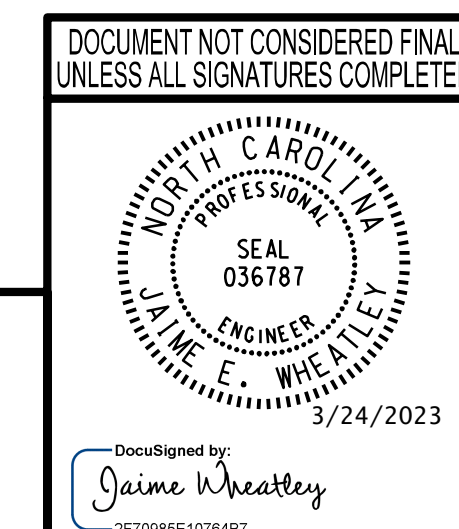


DETAIL "C"
 #4 S2 BARS MAY BE SHIFTED AS NECESSARY TO MAINTAIN 1" CLEAR TO GROUTED RECESS AND 2 1/2" Ø TRANSVERSE POST-TENSIONING STRAND HOLES

PLAN OF UNIT - STAGE I
 (SEE GROUTED RECESS DETAIL VIEWS A-A AND B-B SEE SHEET 2 OF 5.)

PROJECT NO. B-5893
MITCHELL COUNTY
 STATION: 12+89.50 -L-
 SHEET 3 OF 5

STATE OF NORTH CAROLINA DEPARTMENT OF TRANSPORTATION RALEIGH					
PLAN OF 40' UNIT 33'-10" CLEAR ROADWAY 90° SKEW STAGE I					
REVISIONS					
NO.	BY:	DATE:	NO.	BY:	DATE:
1			3		
2			4		
					SHEET NO. S-9
					TOTAL SHEETS 24



wsp
 WSP USA Inc.
 434 FAYETTEVILLE STREET
 SUITE 1500
 RALEIGH, NC 27601
 TEL: 1.919.836.4040
 LICENSE NO. F-0165

3/24/2023
 J:\188906R-14 B-5893 Bridge 19 over Cub Creek Structures\2.0 Drafting\Drawings\401.019_B5893_SMJ_CS3.dgn

DESIGNED BY: J. WHEATLEY DATE: MAR 2023
 DRAWN BY: J. WHEATLEY DATE: MAR 2023
 CHECKED BY: T. KIRSCHBAUM DATE: MAR 2023
 DESIGN ENGINEER OF RECORD: J. WHEATLEY DATE: MAR 2023