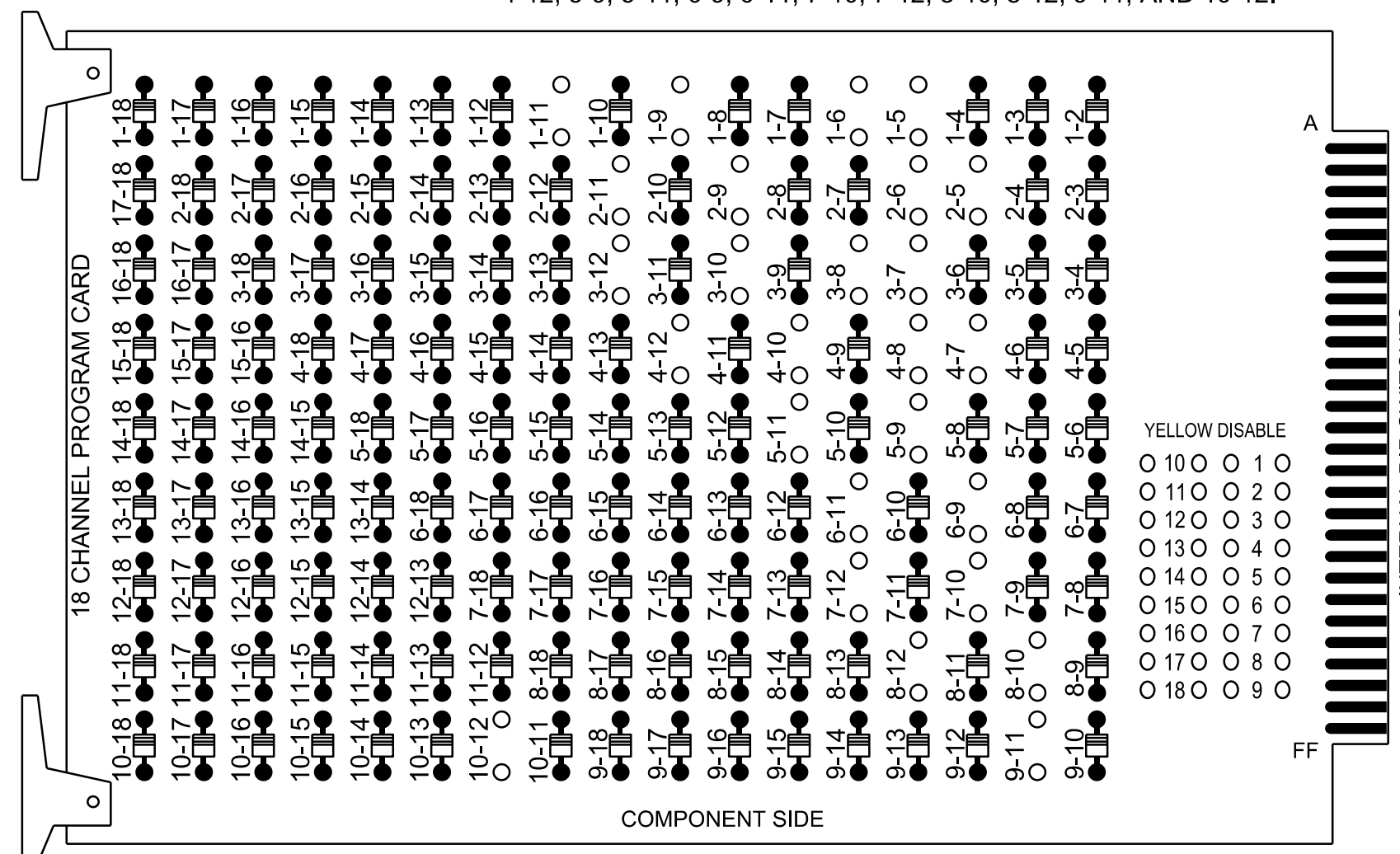


18 CHANNEL CONFLICT MONITOR PROGRAMMING DETAIL

(remove jumpers and set switches as shown)

REMOVE DIODE JUMPERS 1-5, 1-6, 1-9, 1-11, 2-5, 2-6, 2-9, 2-11, 3-7, 3-8, 3-10, 3-12, 4-7, 4-8, 4-10, 4-12, 5-9, 5-11, 6-9, 6-11, 7-10, 7-12, 8-10, 8-12, 9-11, AND 10-12.



REMOVE JUMPERS AS SHOWN

NOTES:

- Card is provided with all diode jumpers in place. Removal of any jumper allows its channels to run concurrently.
- Ensure jumpers SEL2-SEL5 and SEL9 are present on the monitor board.
- Ensure that the Red Enable is active at all times during normal operation.
- Connect serial cable from conflict monitor to comm. port 1 of 2070 controller. Ensure conflict monitor communicates with 2070.

NOTES

- To prevent "flash-conflict" problems, insert red flash program blocks for all unused vehicle load switches in the output file. The installer shall verify that signal heads flash in accordance with the signal plan.
- Program phases 4 and 8 for Dual Entry.
- Program controller to start up in phase 2 Green No Walk and 6 Green No Walk.
- If this signal will be managed by an ATMS software, enable controller and detector logging for all detectors used at this location.

EQUIPMENT INFORMATION

Controller.....2070LX
 Cabinet.....332 w/ Aux
 Software.....Q-Free MAXTIME
 Cabinet Mount.....Base
 Output File Positions.....18 With Aux. Output File
 Load Switches Used.....S1, S2, S4, S5, S7, S8, S10, S11, AUX S1, AUX S2, AUX S4, AUX S5
 Phases Used.....1, 2, 3, 4, 5, 6, 7, 8
 Overlap "1".....*
 Overlap "2".....*
 Overlap "3".....*
 Overlap "4".....*

*See overlap programming detail on this sheet

SPECIAL DETECTOR NOTE

Install a video detection system for vehicle detection. Perform installation according to manufacturer's directions and NCDOT engineer-approved mounting locations to accomplish the detection schemes shown on the Signal Design Plans.

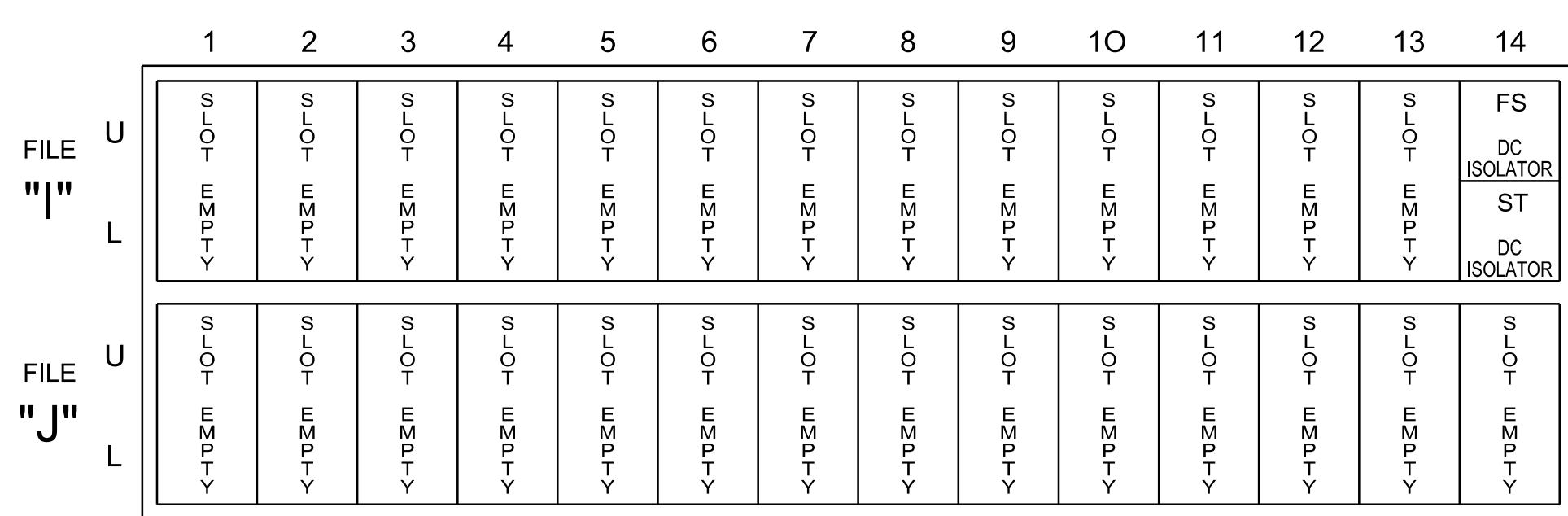
SIGNAL HEAD HOOK-UP CHART

LOAD SWITCH NO.	S1	S2	S3	S4	S5	S6	S7	S8	S9	S10	S11	S12	AUX S1	AUX S2	AUX S3	AUX S4	AUX S5	AUX S6
CMU CHANNEL NO.	1	2	13	3	4	14	5	6	15	7	8	16	9	10	17	11	12	18
PHASE	1	2	2 PED	3	4	4 PED	5	6	6 PED	7	8	8 PED	OL1	OL2	SPARE	OL3	OL4	SPARE
SIGNAL HEAD NO.	11*	21,22	NU	31*	41,42	NU	51*	61,62	NU	71*	81,82	NU	11*	31*	NU	51*	71*	NU
RED		128			101		*	134			107							
YELLOW	*	129		*	102			135		*	108							
GREEN		130			103			136			109							
RED ARROW													A121	A124		A114	A101	
YELLOW ARROW								132					A122	A125		A115	A102	
FLASHING YELLOW ARROW													A123	A126		A116	A103	
GREEN ARROW	127			118			133	133		124								

NU = Not Used
 * Denotes install load resistor. See load resistor installation detail this sheet.
 *See pictorial of head wiring in detail this sheet.

INPUT FILE POSITION LAYOUT

(front view)



EX.: 1A, 2A, ETC. = LOOP NO.'S

FS = FLASH SENSE
 ST = STOP TIME

FLASHER CIRCUIT MODIFICATION DETAIL

IN ORDER TO INSURE THAT SIGNALS FLASH CONCURRENTLY ON THE SAME APPROACH, MAKE THE FOLLOWING FLASHER CIRCUIT CHANGES:

- ON REAR OF PDA - REMOVE WIRE FROM TERM. T2-4 AND TERMINATE ON T2-2.
- ON REAR OF PDA - REMOVE WIRE FROM TERM. T2-5 AND TERMINATE ON T2-3.
- REMOVE FLASHER UNIT 2.

THE CHANGES LISTED ABOVE TIES ALL PHASES AND OVERLAPS TO FLASHER UNIT 1.

OVERLAP PROGRAMMING

Front Panel
 Main Menu >Controller >Overlap >Overlap Parameters/Overlap Timings

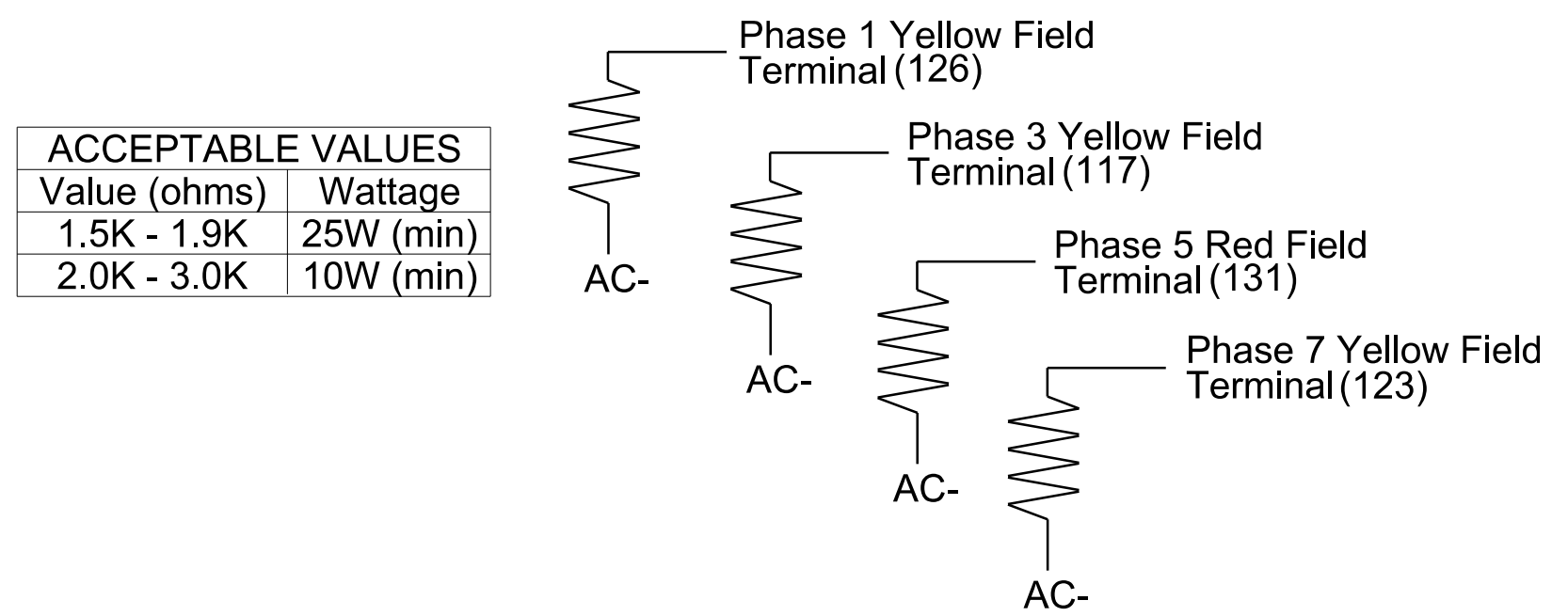
Web Interface
 Home >Controller >Overlap Configuration >Overlaps

Overlap Plan 1

Overlap	1	2	3	4
Type	FYA 4 - Section	FYA 4 - Section	FYA 4 - Section	FYA 4 - Section
Included Phases	2	4	6	8
Modifier Phases	1	3	5	7
Trail Green	0	0	0	0
Trail Yellow	0.0	0.0	0.0	0.0
Trail Red	0.0	0.0	0.0	0.0

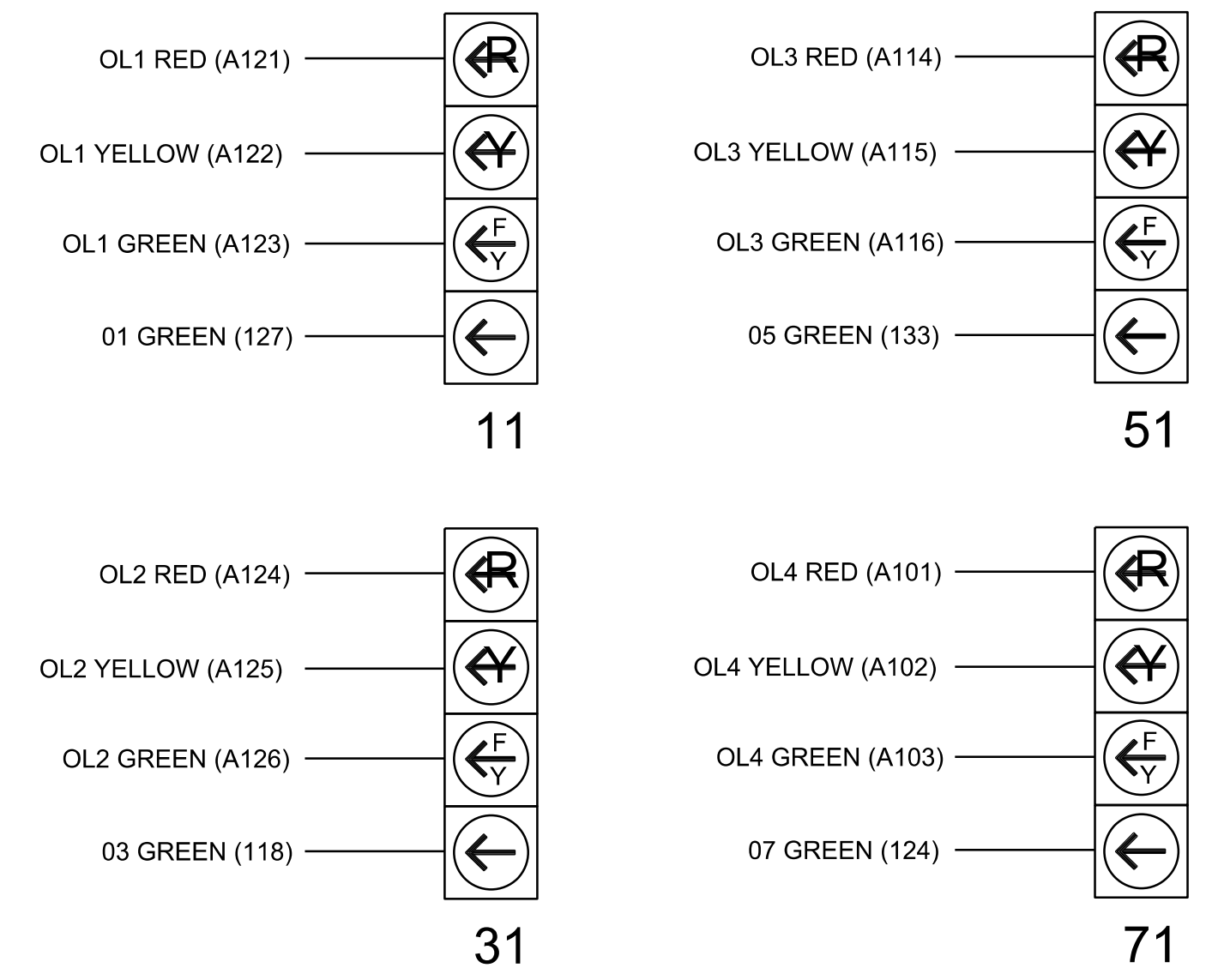
LOAD RESISTOR INSTALLATION DETAIL

(install resistors as shown)



FYA SIGNAL WIRING DETAIL

(wire signal heads as shown)



THIS ELECTRICAL DETAIL IS FOR THE SIGNAL DESIGN: 07-0883T3
 DESIGNED: Apr 2023
 SEALED: 04/05/2023
 REVISED: N/A

Electrical Detail (Temporary Design 3 - TMP Phase 2, Step 3)

<p>Infrastructure Consulting Services, Inc. RKA RAMEY KEMP ASSOCIATES 5808 Farrington Place Raleigh, North Carolina 27609 Phone: 919.872.5116</p>	NC 68 at NC 150 (Oak Ridge Road)		DOCUMENT NOT CONSIDERED FINAL UNLESS ALL SIGNATURES COMPLETED SEAL NORTH CAROLINA PROFESSIONAL ENGINEER SEAL 051573 TIMOTHY S. POPELKA 04/05/2023 DATE SIG. INVENTORY NO. 07-0883T3
	Division 7 Guilford County Oak Ridge	Division 7 Guilford County Oak Ridge	
PREPARED BY: JA Went REVISIONS:	REVIEWED BY: TS Popelka RKA PROJ. NO.: 18062 (040)	INIT. DATE	