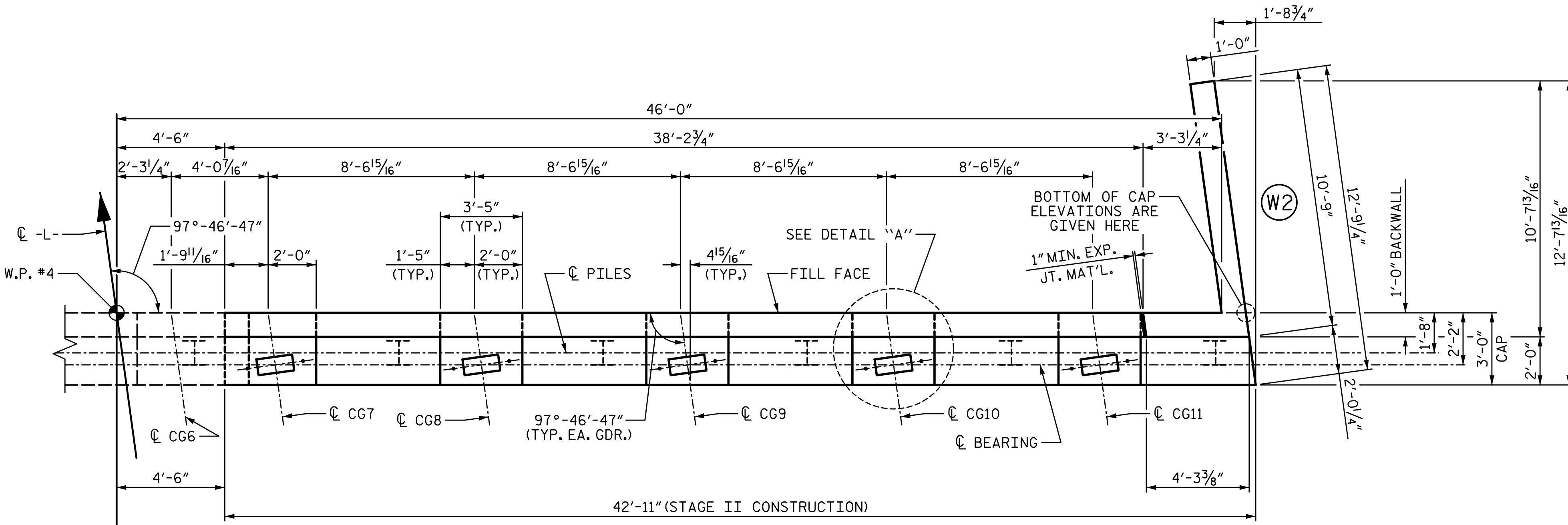
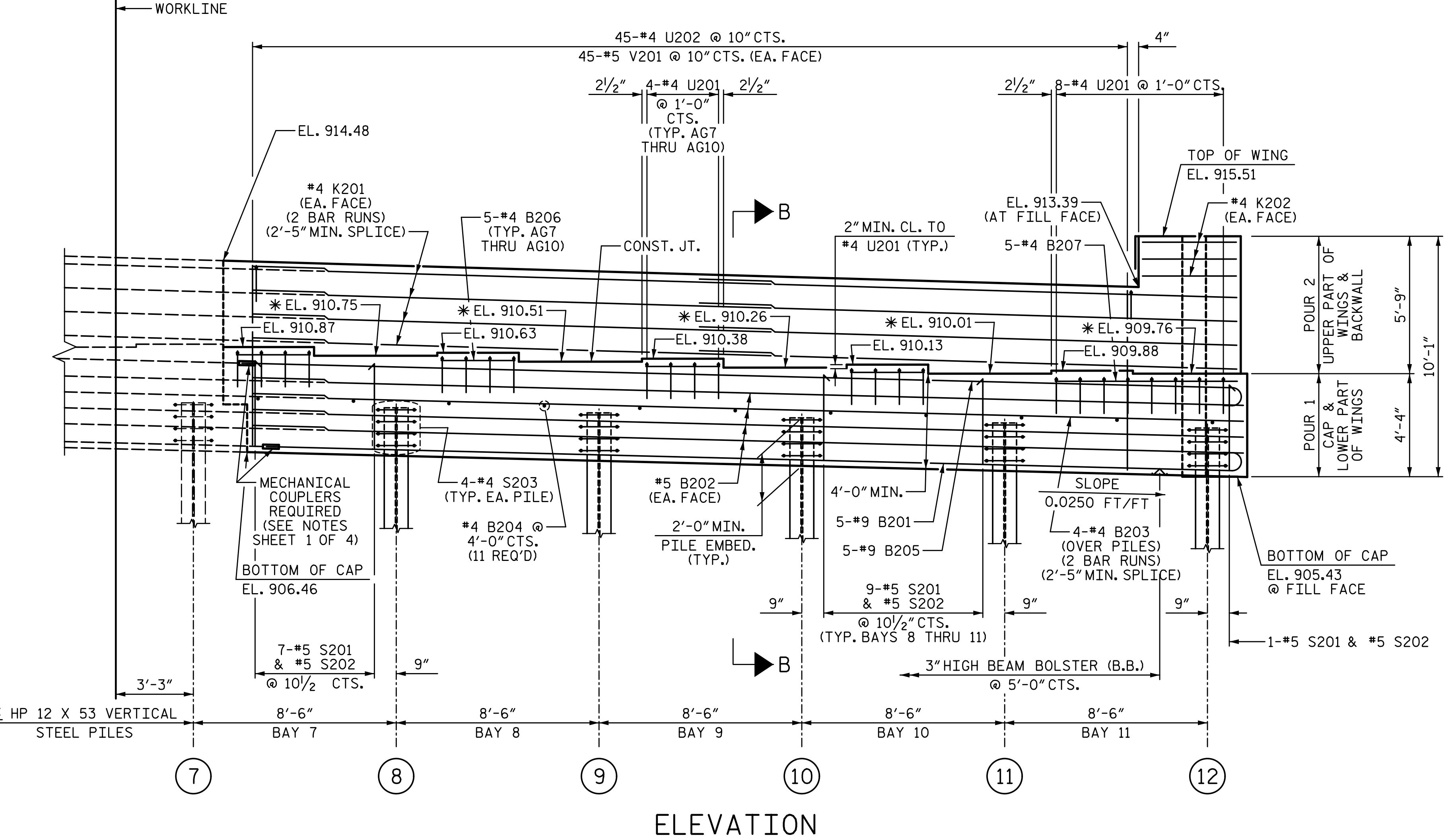


4/6/2023 12:02:11 PM P:\Raleigh\Projects\2018\Division 9 (Mott MacDonald)\U-2729\Structures\Drawings\Final\U2729_SMU_E2_330290.dgn

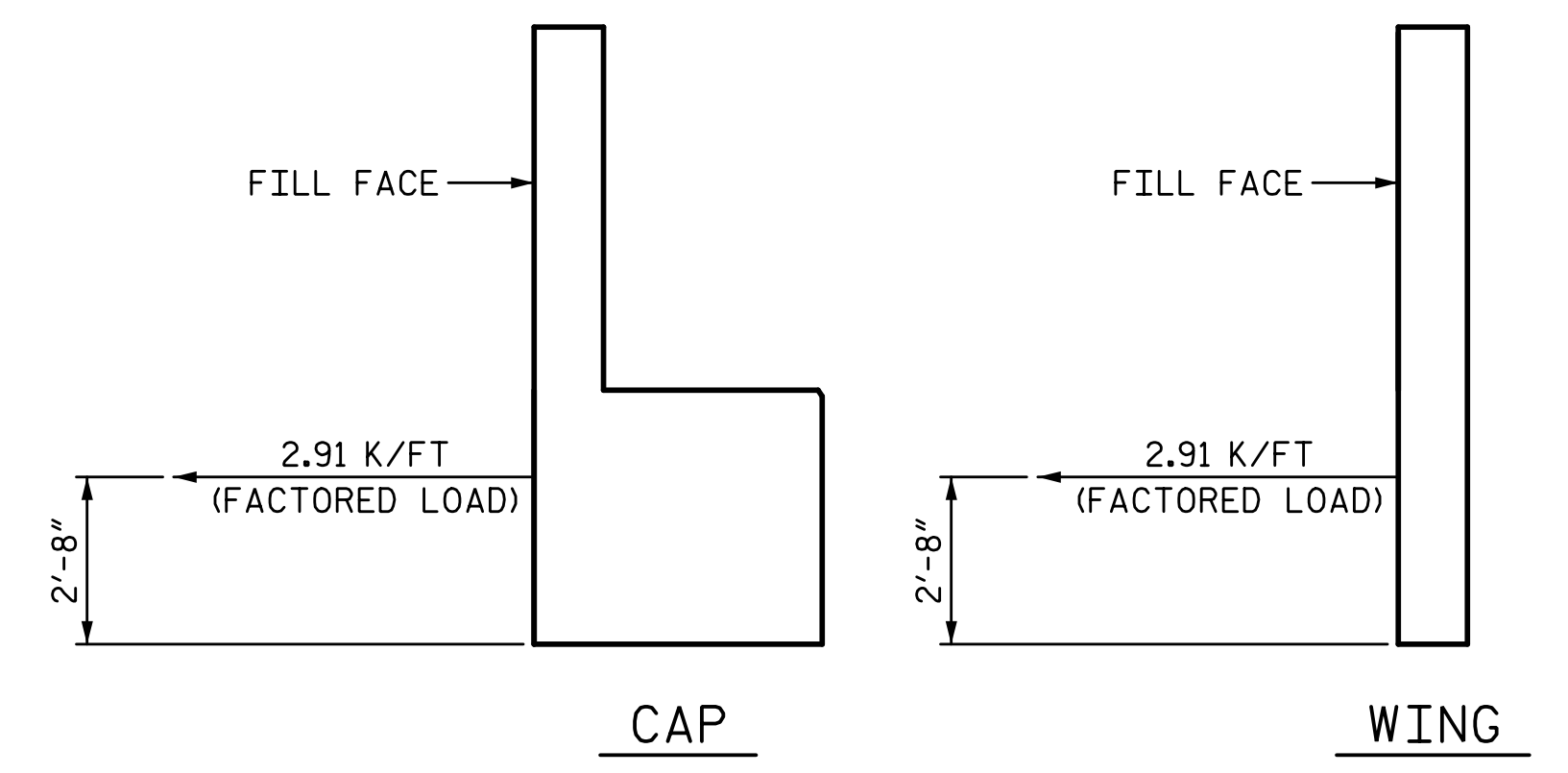


PLAN



ELEVATION

NOTES:
 FOR SECTION B-B, SEE SHEET 4 OF 4.
 * FOR LOCATION OF ELEVATIONS BETWEEN BRIDGE SEAT BUILD-UPS SEE SECTION B-B, SEE SHEET 4 OF 4.
 FOR ALL OTHER NOTES, SEE SHEET 1 OF 4.

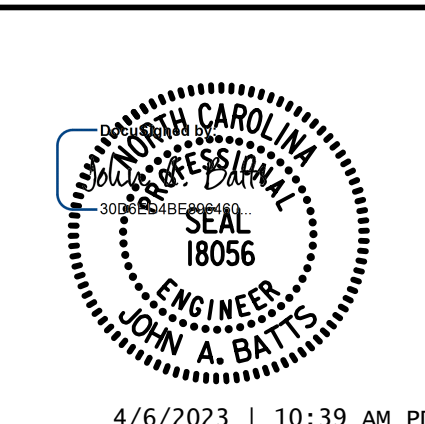


TIEBACK DETAILS
 (BOTH STAGES SIMILAR)

TOP OF PILE ELEVATIONS	
PILE	ELEVATION
8	908.32
9	908.11
10	907.90
11	907.69
12	907.47

PROJECT NO. U-2729
FORSYTH COUNTY
 STATION: 33+99.11 -L-

SHEET 2 OF 4



STATE OF NORTH CAROLINA
 DEPARTMENT OF TRANSPORTATION
 RALEIGH
 SUBSTRUCTURE
 END BENT 2
 STAGE II

DRAWN BY: T. BANKOVICH DATE: 9-22
 CHECKED BY: T.J. BEACH DATE: 9-22
 DESIGN ENGINEER OF RECORD: J.A. BATTS DATE: 9-22

REVISIONS						SHEET NO.
NO.	BY:	DATE:	NO.	BY:	DATE:	S-52
1			3			TOTAL SHEETS
2			4			59

**DOCUMENT NOT CONSIDERED FINAL
 UNLESS ALL SIGNATURES COMPLETED**