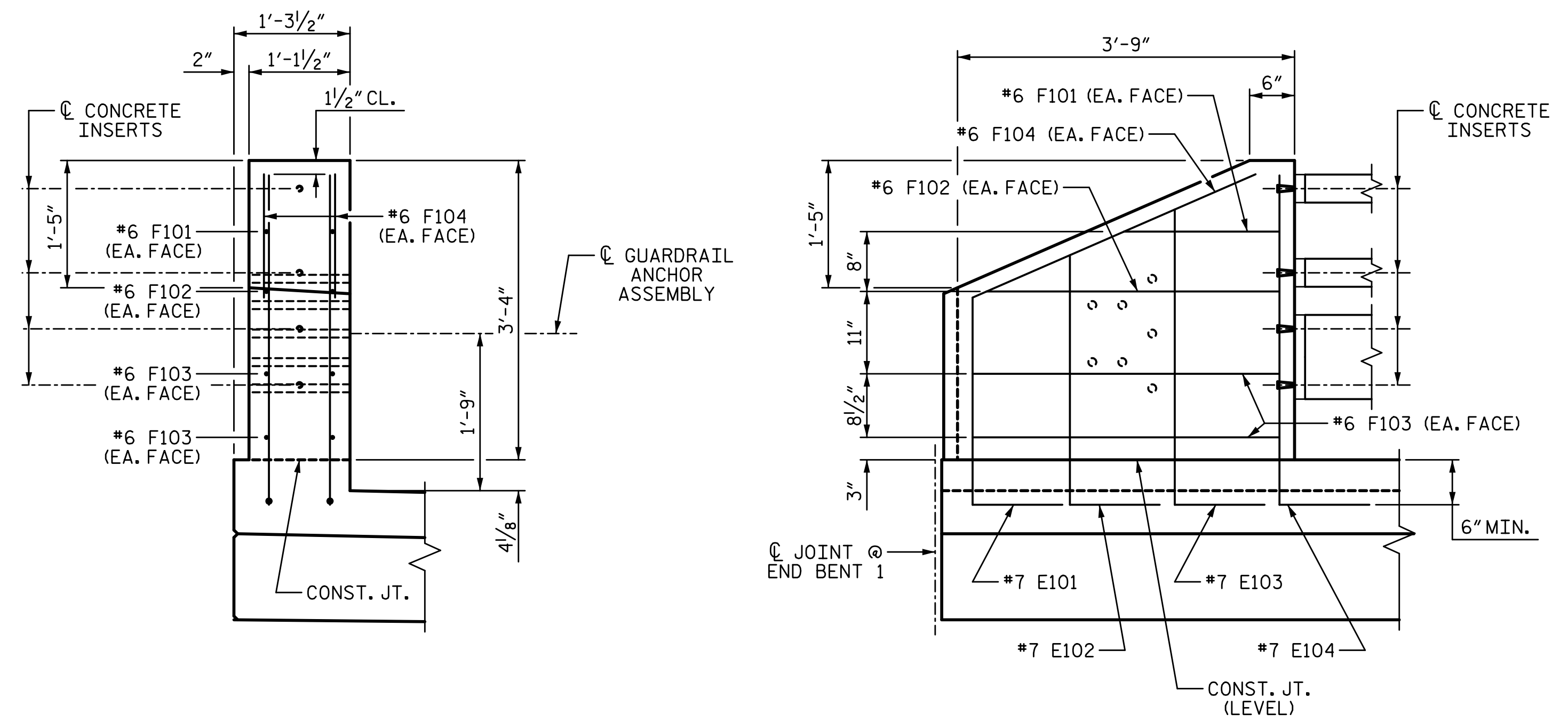


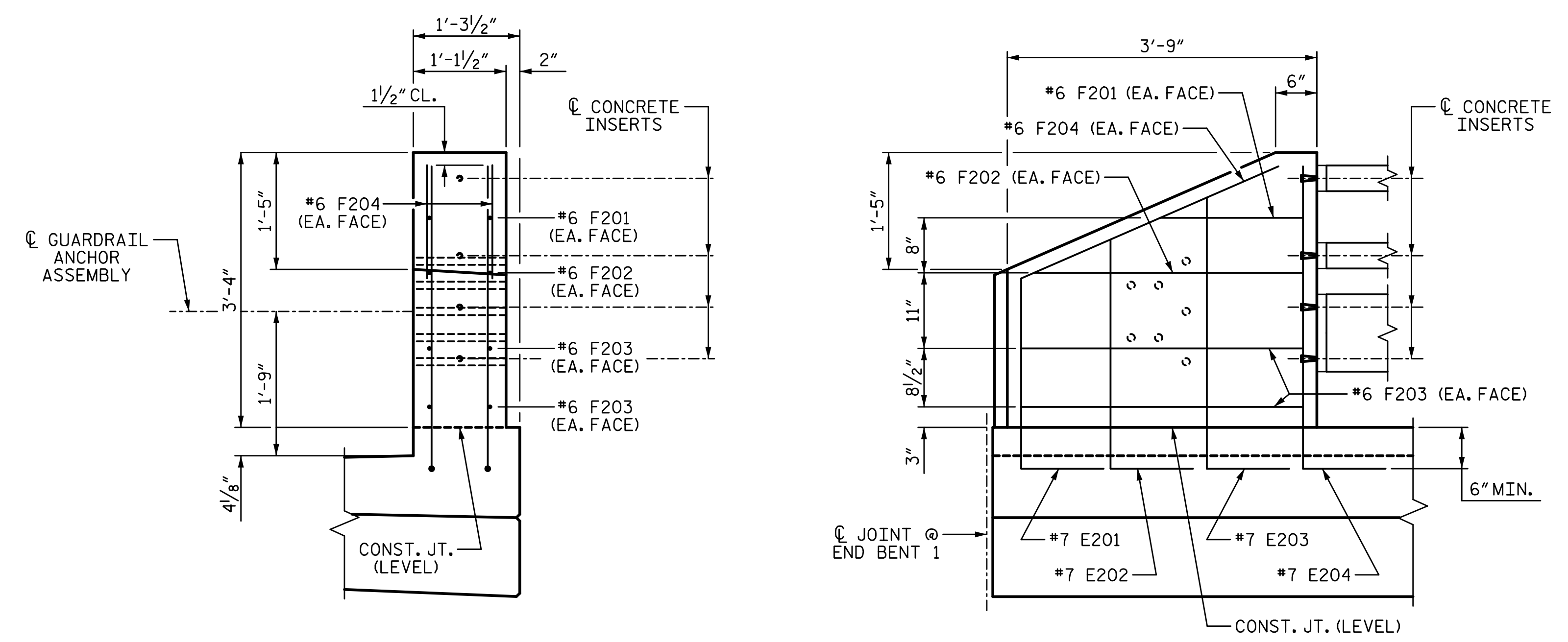
4/6/2023 12:02:00 PMP:\Raleigh\Projects\2018\Division 9 (Mott MacDonald)\U-2729\Structures\Drawings\Final\U2729_SMU_3MR_330290.dgn



END VIEW ELEVATION

END POST FOR THREE BAR METAL RAIL

STAGE I
(END BENT 1 SHOWN, END BENT 2 SIMILAR)

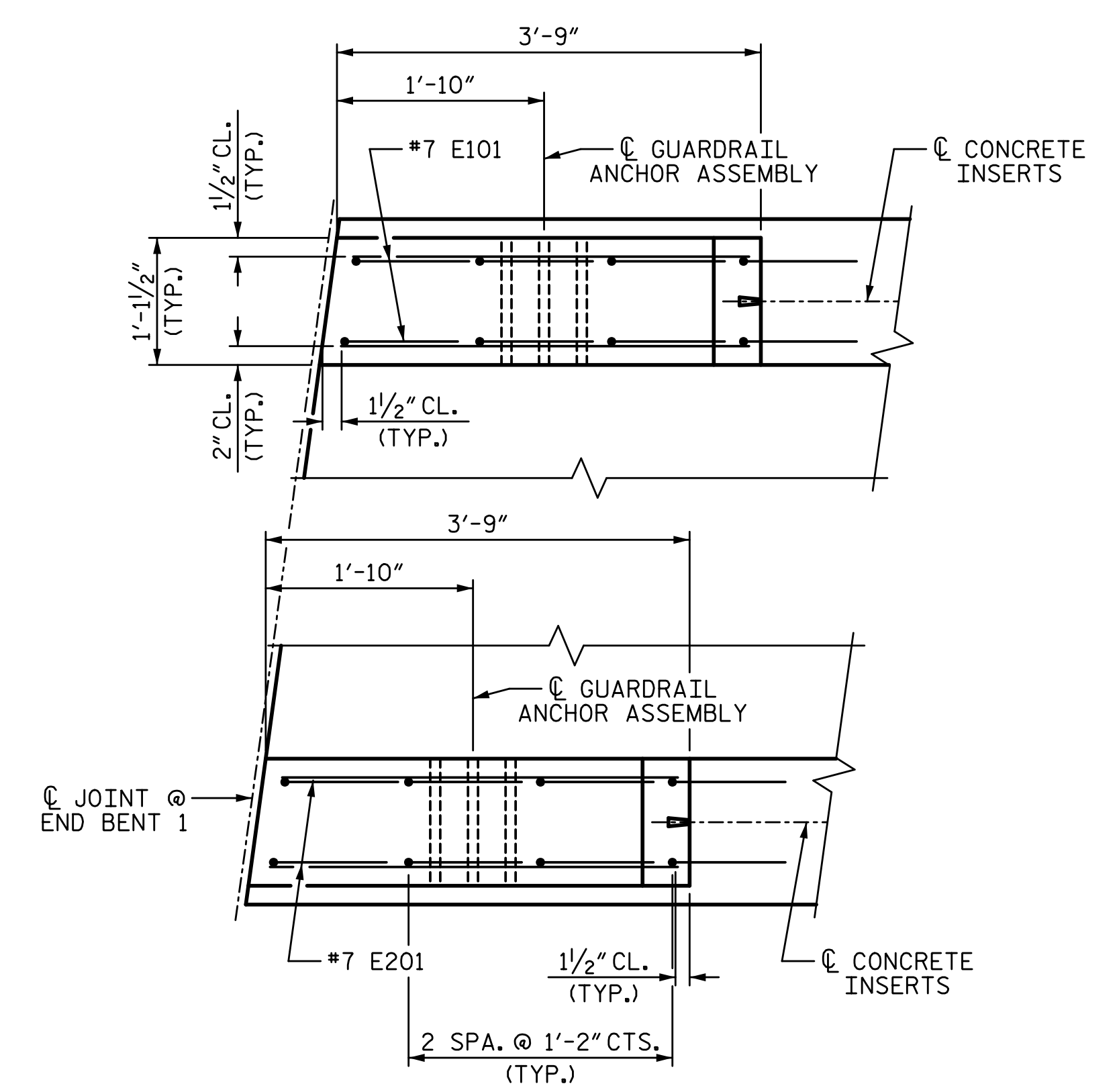


END VIEW ELEVATION

END POST FOR THREE BAR METAL RAIL

STAGE II
(END BENT 1 SHOWN, END BENT 2 SIMILAR)

NOTES:
FOR END POST REINFORCING STEEL AND CONCRETE QUANTITIES, SEE "SUPERSTRUCTURE BILL OF MATERIAL" SHEETS.
FOR DETAILS OF GUARDRAIL ASSEMBLIES, SEE "GUARDRAIL ANCHORAGE DETAILS" SHEET.

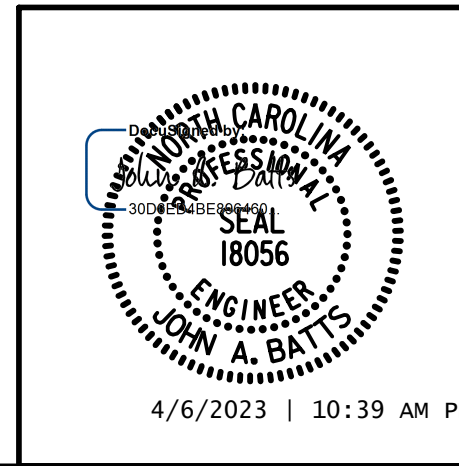


PLAN
END BENT 1 SHOWN, END BENT 2 SIMILAR

PROJECT NO. U-2729
FORSYTH COUNTY
STATION: 33+99.11 -L-

STATE OF NORTH CAROLINA
DEPARTMENT OF TRANSPORTATION
RALEIGH
SUPERSTRUCTURE

END POST DETAILS



DRAWN BY: T. BANKOVICH	DATE: 9-22
CHECKED BY: T.J. BEACH	DATE: 9-22
DESIGN ENGINEER OF RECORD: J.A. BATTS	DATE: 9-22

REVISIONS				SHEET NO.	
NO.	BY:	DATE:	NO.	DATE:	TOTAL SHEETS
1			3		59
2			4		

DOCUMENT NOT CONSIDERED FINAL UNLESS ALL SIGNATURES COMPLETED