

STATE OF NORTH CAROLINA
DEPT. OF TRANSPORTATION
DIVISION OF HIGHWAYS
RALEIGH, N.C.

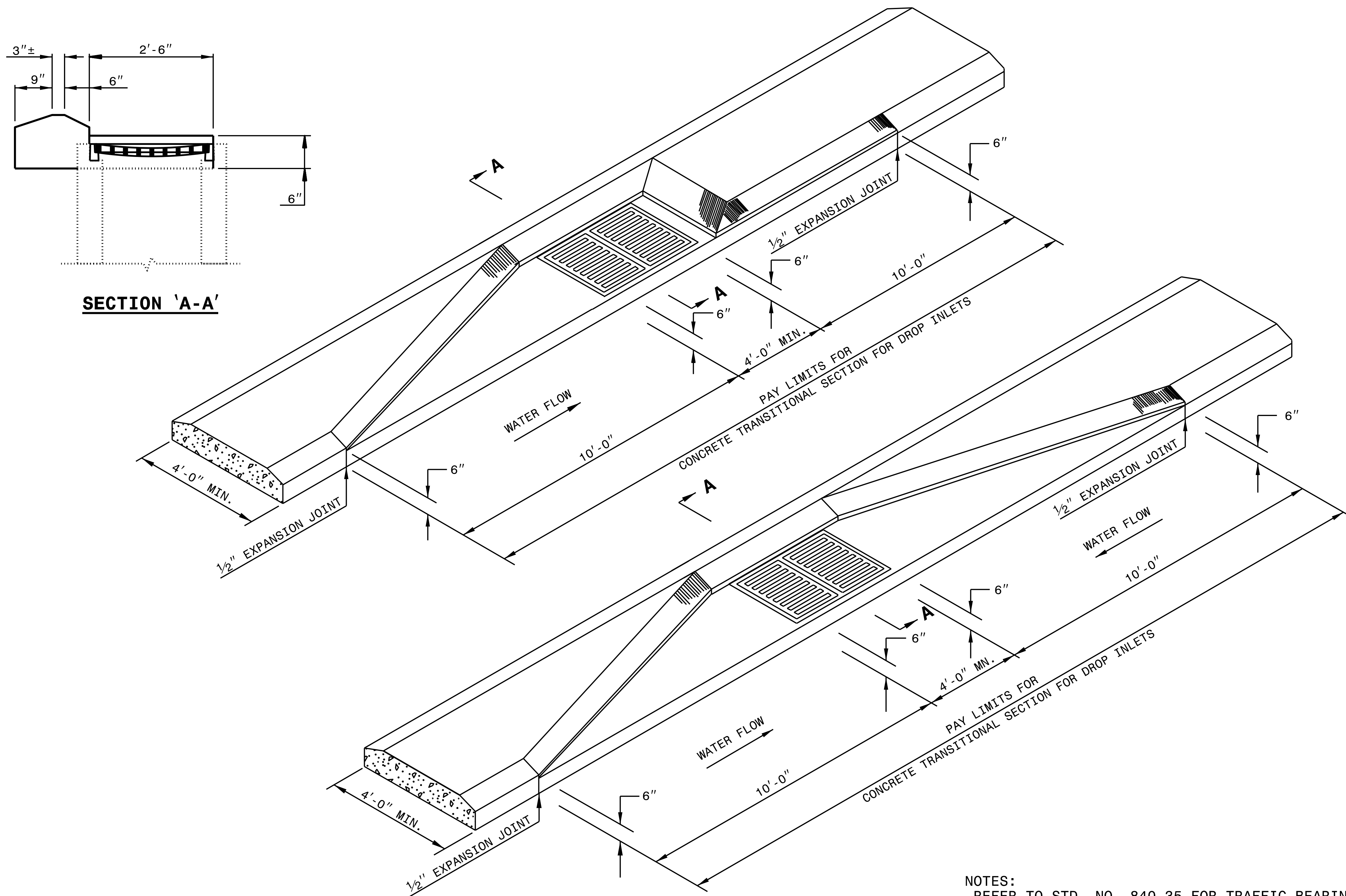
ENGLISH DETAIL DRAWING FOR
**METHOD FOR PLACEMENT OF
DROP INLETS IN CONCRETE ISLANDS**

SHEET 1 OF 1
852D06

STATE OF NORTH CAROLINA
DEPT. OF TRANSPORTATION
DIVISION OF HIGHWAYS
RALEIGH, N.C.

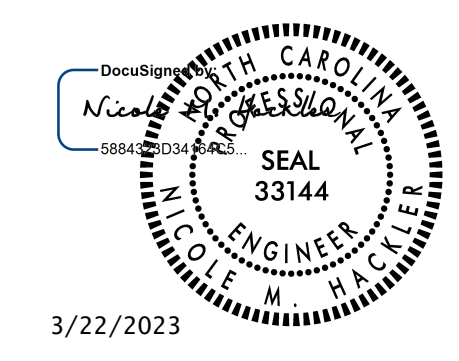
ENGLISH DETAIL DRAWING FOR
**METHOD FOR PLACEMENT OF
DROP INLETS IN CONCRETE ISLANDS**

SHEET 1 OF 1
852D06



NOTES:
 -REFER TO STD. NO. 840.35 FOR TRAFFIC BEARING DRAINAGE STRUCTURE.
 -REFER TO STD. NO. 840.20 or 840.29 FOR GRATE AND FRAME.

\$\$\$SYTIME\$\$\$\$\$
\$\$\$SERIAL\$\$\$\$\$
\$\$\$PUERNAME\$\$\$\$\$



CONTRACT STANDARDS AND DEVELOPMENT UNIT
 Office 919-707-6950 FAX 919-250-4119

SEE TITLE PLATE

ORIGINAL BY: KKEMPF DATE: 8/2/10
 MODIFIED BY: DATE:
 CHECKED BY: DATE:
 FILE SPEC.: KKEMPF\ENGLISH\852D0601.DGN

DOCUMENT NOT CONSIDERED FINAL
UNLESS ALL SIGNATURES COMPLETED