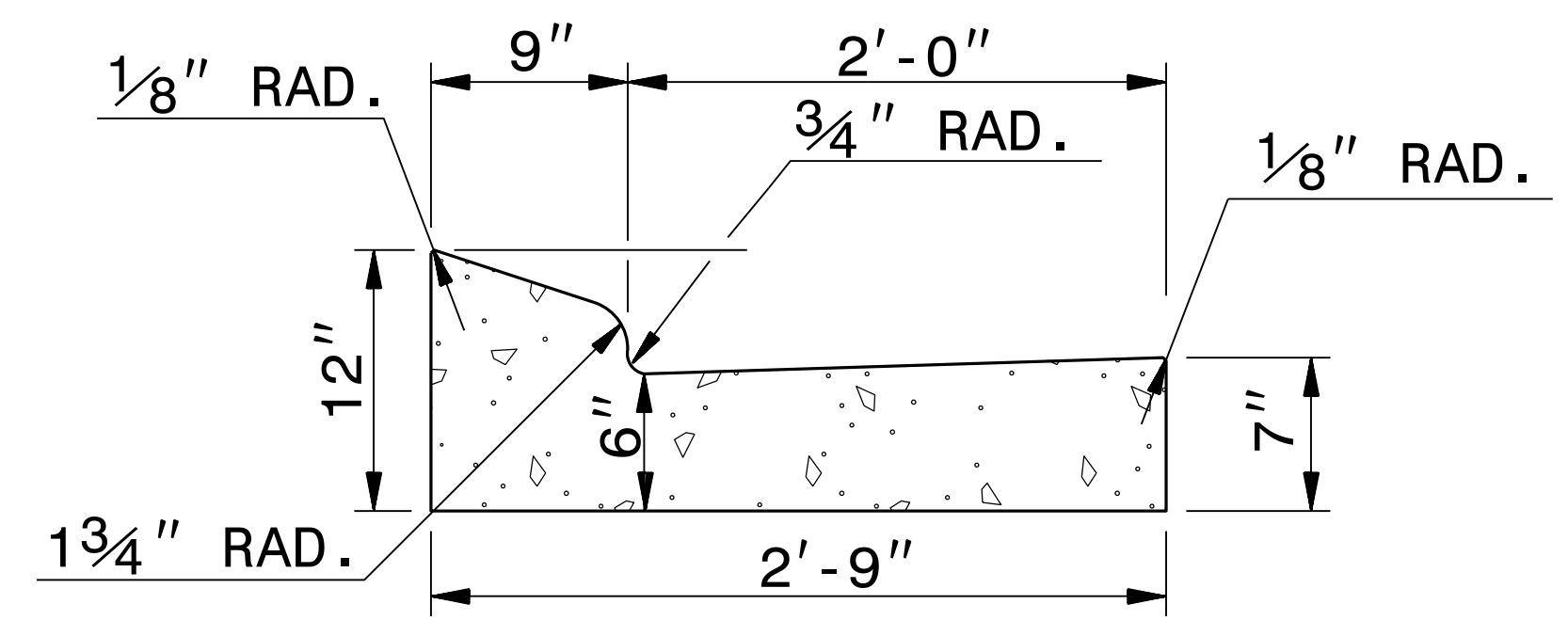


STATE OF NORTH CAROLINA
DEPT. OF TRANSPORTATION
DIVISION OF HIGHWAYS
RALEIGH, N.C.

ENGLISH DETAIL DRAWING FOR
2'-9" CONCRETE CURB & GUTTER

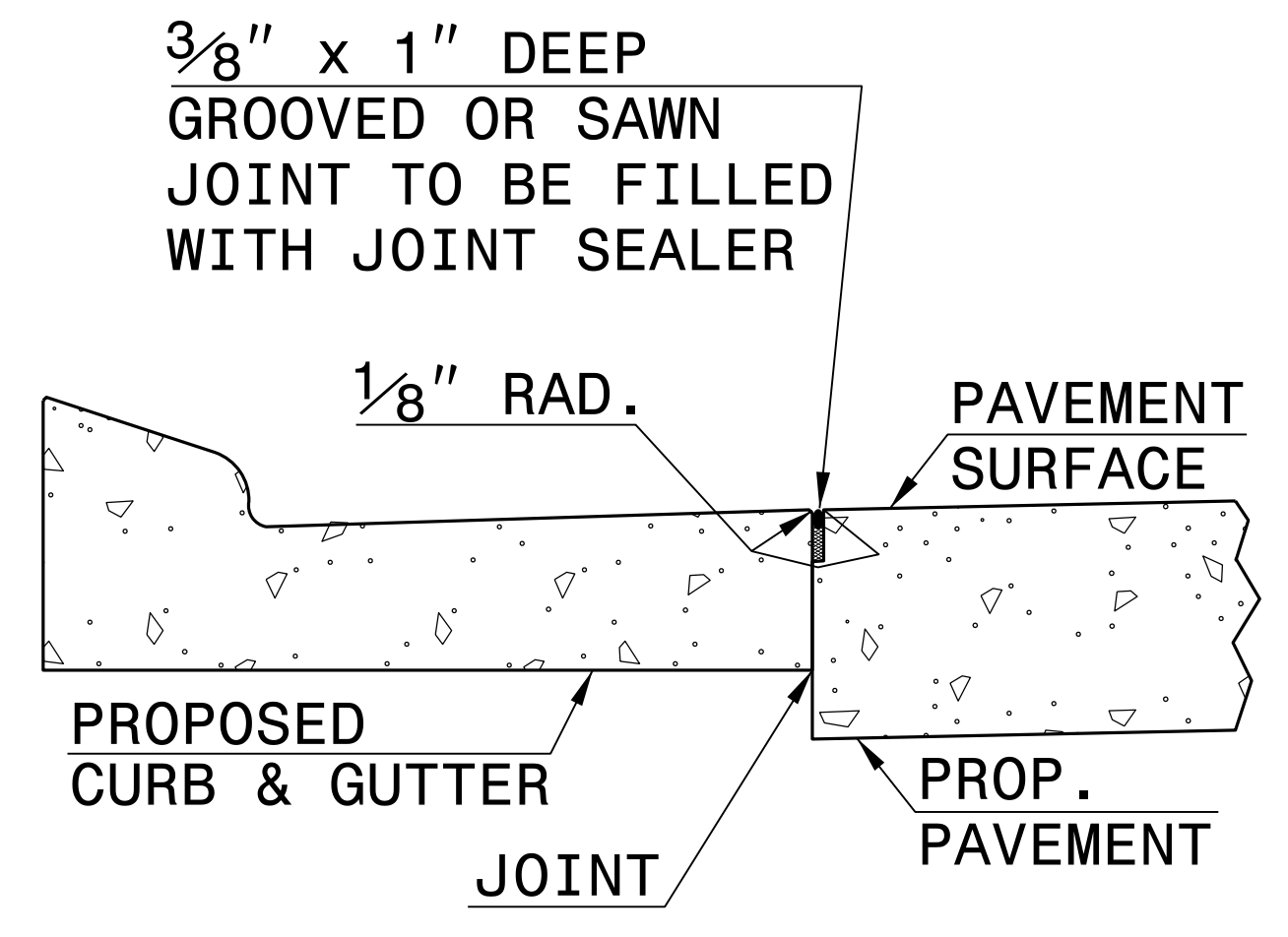
SHEET 1 OF 1
846D01

- GENERAL NOTES:**
- PLACE CONTRACTION JOINTS AT 10' INTERVALS, EXCEPT THAT A 15' SPACING MAY BE USED WHEN A MACHINE IS USED OR WHEN SATISFACTORY SUPPORT FOR THE FACE FORM CAN BE OBTAINED WITHOUT THE USE OF TEMPLATES AT 10' INTERVALS.
 - JOINT SPACING MAY BE ALTERED IF REQUIRED BY THE ENGINEER.
 - CONTRACTION JOINTS MAY BE INSTALLED WITH THE USE OF TEMPLATES OR FORMED BY OTHER APPROVED METHODS. MAKE NON-TEMPLATE FORMED JOINTS A MIN. OF 1½" DEEP.
 - FILL ALL CONSTRUCTION JOINTS WITH JOINT FILLER AND SEALER.
 - SPACE EXPANSION JOINTS AT 90' INTERVALS AND ADJACENT TO ALL RIGID OBJECTS.
 - SEE RDWY. STD. DWG. NO. 846.01, SHEET 2 OF 3 FOR PLACEMENT IN SUPERELEVATIONS. (USE 2'-6" CURB AND GUTTER RATES)

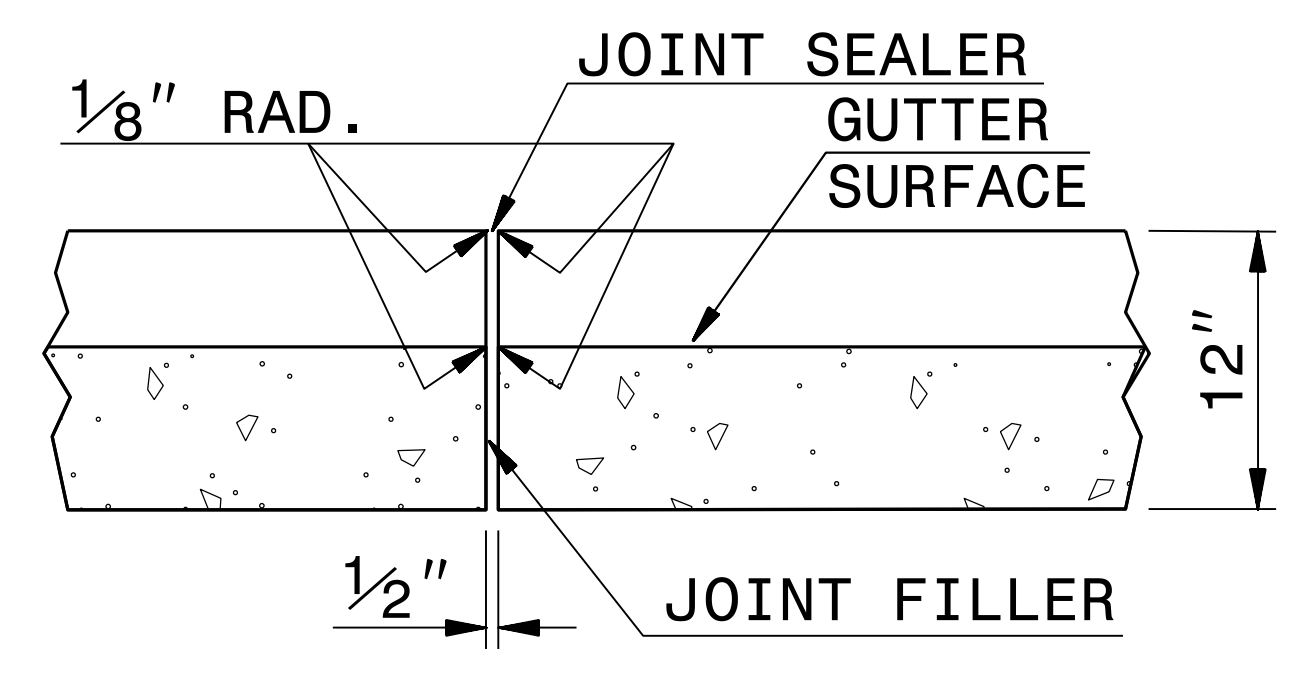


2'-9" CURB AND GUTTER

SECTION VIEW OF CURB AND GUTTER



LONGITUDINAL JOINT



TRANSVERSE EXPANSION JOINT IN CURB AND GUTTER

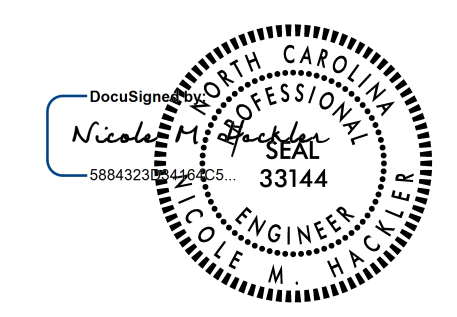
SECTION VIEW OF JOINTS

STATE OF NORTH CAROLINA
DEPT. OF TRANSPORTATION
DIVISION OF HIGHWAYS
RALEIGH, N.C.

ENGLISH DETAIL DRAWING FOR
2'-9" CONCRETE CURB & GUTTER

SHEET 1 OF 1
846D01

J:\AUG-2017\1146
S:\Contracts\Contractors\Special\Details\vertical\usr\details\stand\c&g2'-9.dgn
J:\power\ton AT_CSD-232595



3/22/2023

DOCUMENT NOT CONSIDERED FINAL
UNLESS ALL SIGNATURES COMPLETED

CONTRACT STANDARDS AND DEVELOPMENT UNIT
Office 919-707-6950 FAX 919-250-4119

SEE PLATE FOR TITLE

ORIGINAL BY: STD. 846.01 DATE: _____
MODIFIED BY: E.E. WARD DATE: 8-15-00
CHECKED BY: _____ DATE: _____
FILE SPEC.: /usr/details/stand/c&g2'-9.dgn