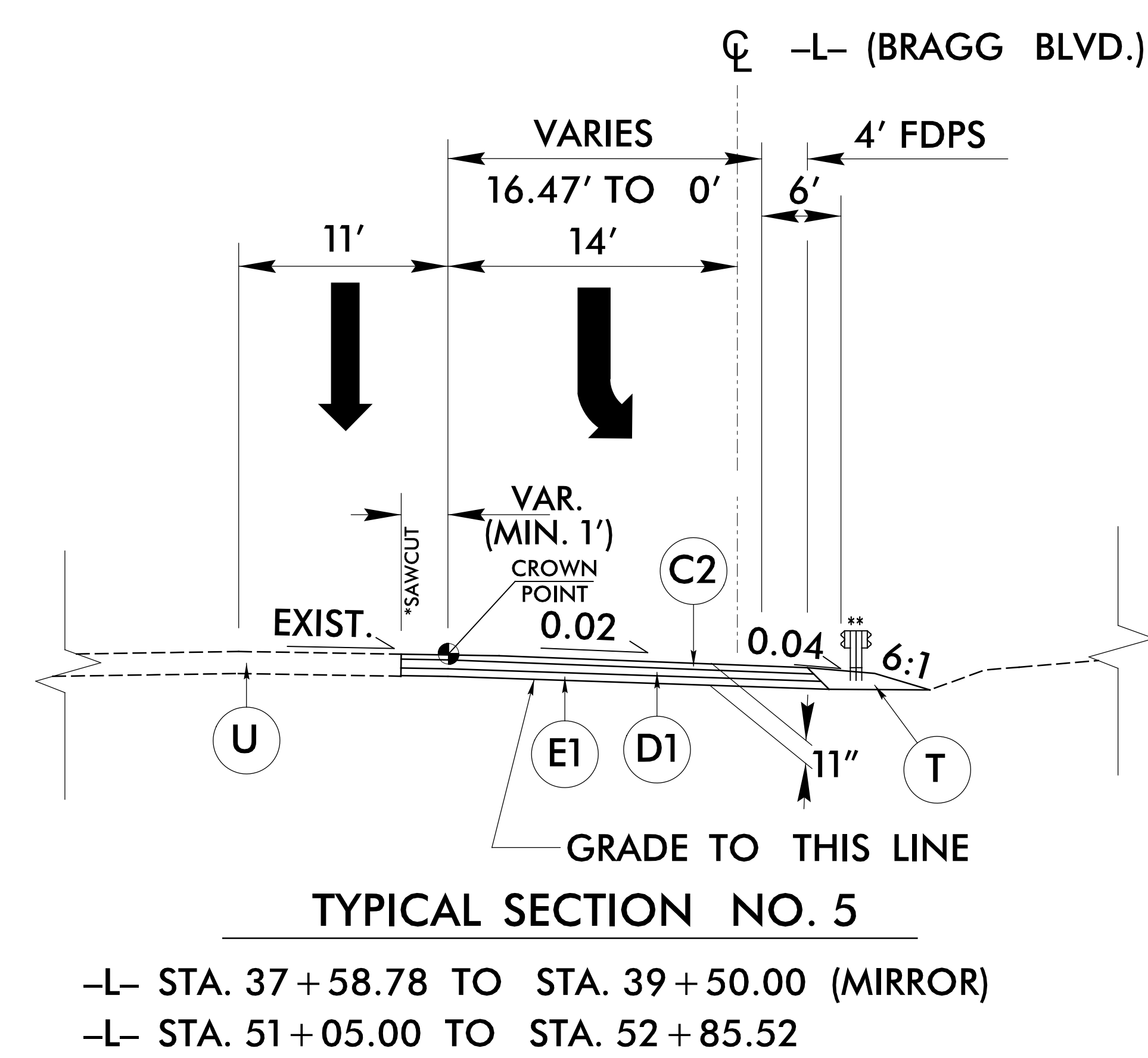
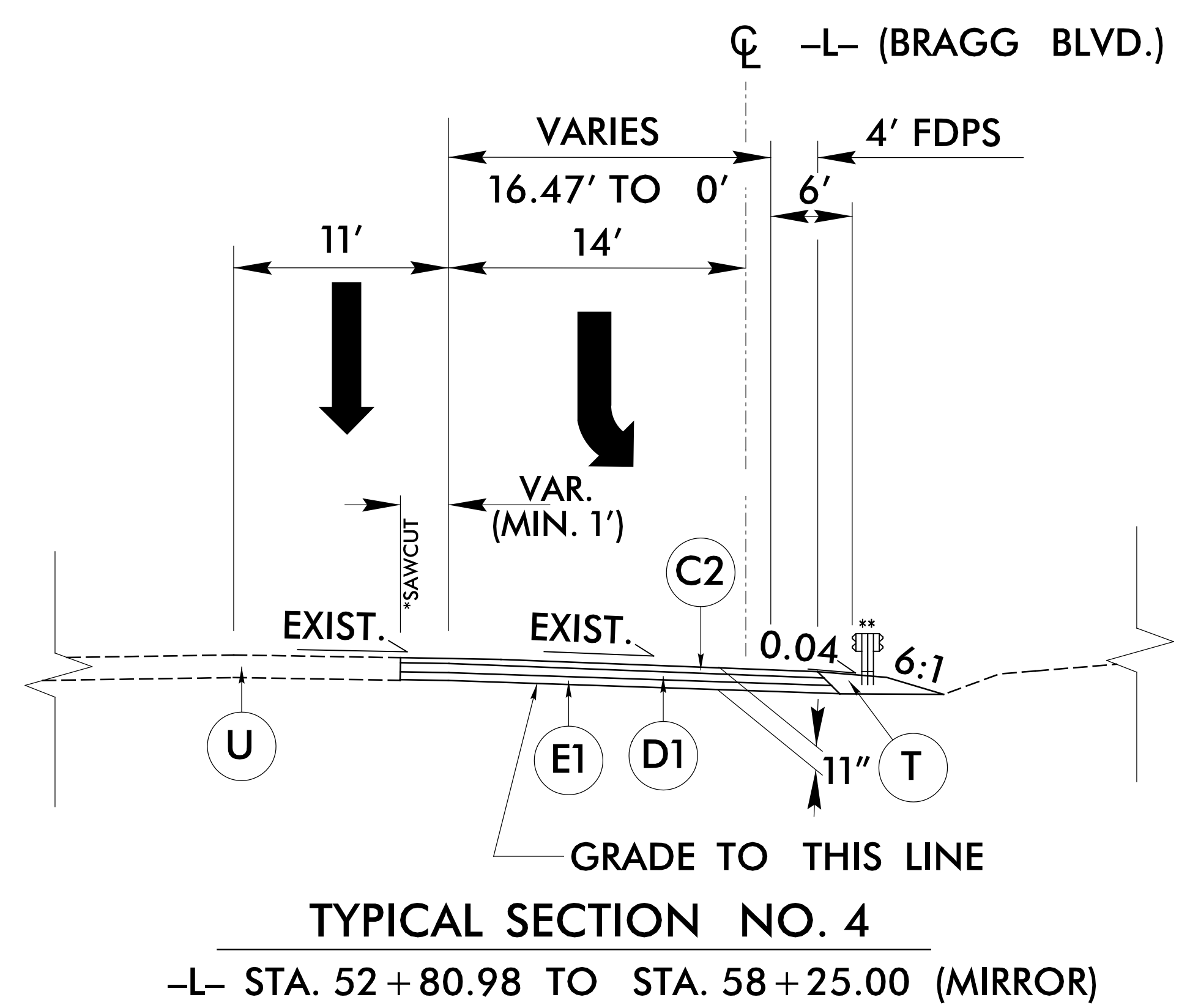


6/2/2023



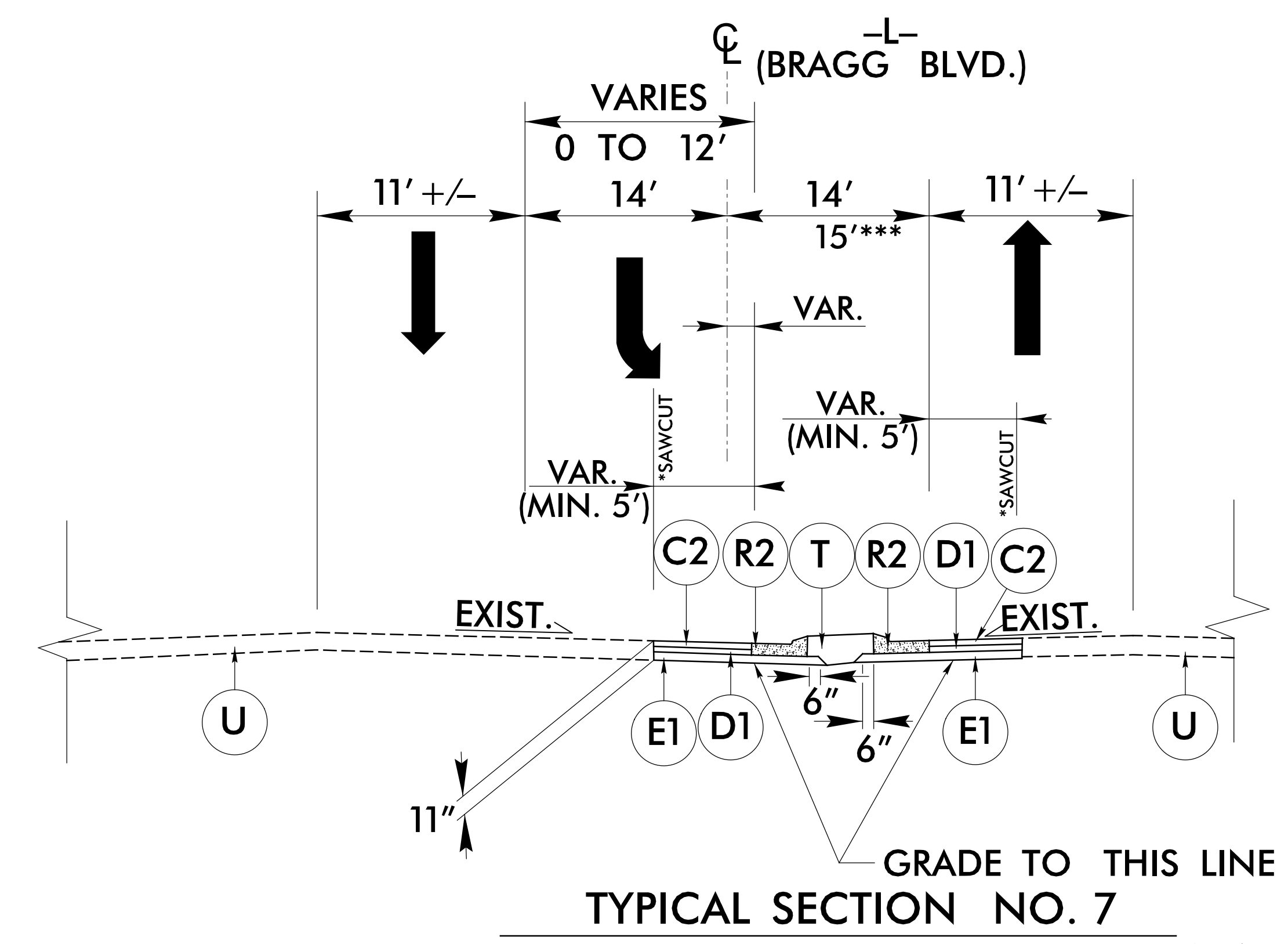
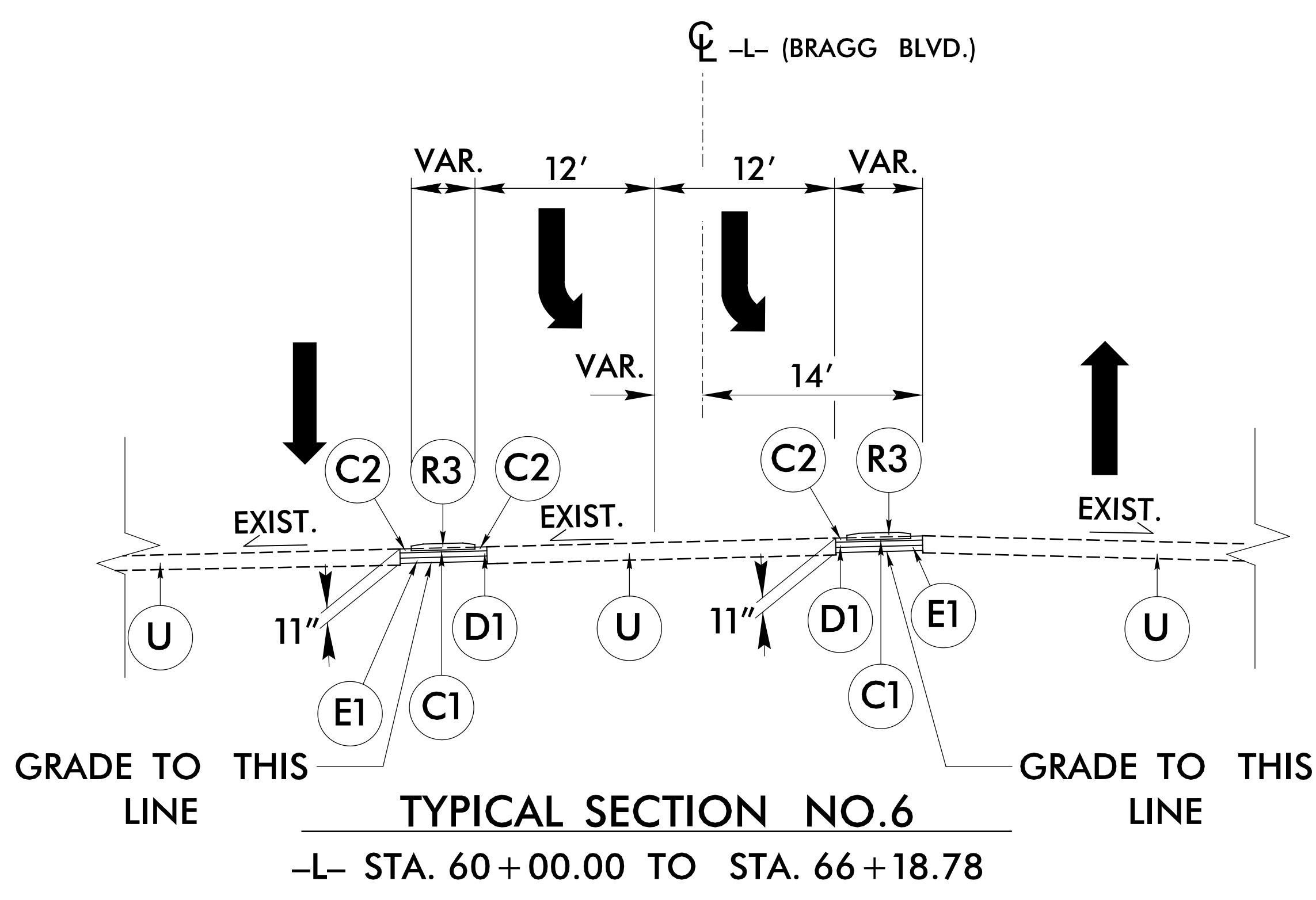
PROJECT REFERENCE NO. U-6229	SHEET NO. 2A-2
ROADWAY DESIGN ENGINEER J. B. JAYBLANK 039831	PAVEMENT DESIGN ENGINEER D. KENDALL 033296
5/11/2023	5/11/2023

DOCUMENT NOT CONSIDERED FINAL UNLESS ALL SIGNATURES COMPLETED

FINAL PAVEMENT SCHEDULE	
C1	1.5" TYPE S9.5C
C2	3" TYPE S9.5C
D1	4" TYPE I19.0C
E1	4" TYPE B25.0C
R2	2'-9" CURB AND GUTTER
R3	CONCRETE ISLAND (KEYED IN)
T	EARTH MATERIAL
U	EXISTING PAVEMENT
V	MILLING 1.5"

NOTE: SEE PLANS FOR TURN LANE LOCATIONS

*SAWCUT 1' FROM EXIST. EOP
**DOUBLE FACED GUARDRAIL. SEE PLANS FOR LOCATIONS.



6/11/2023 djl-typ.dgn