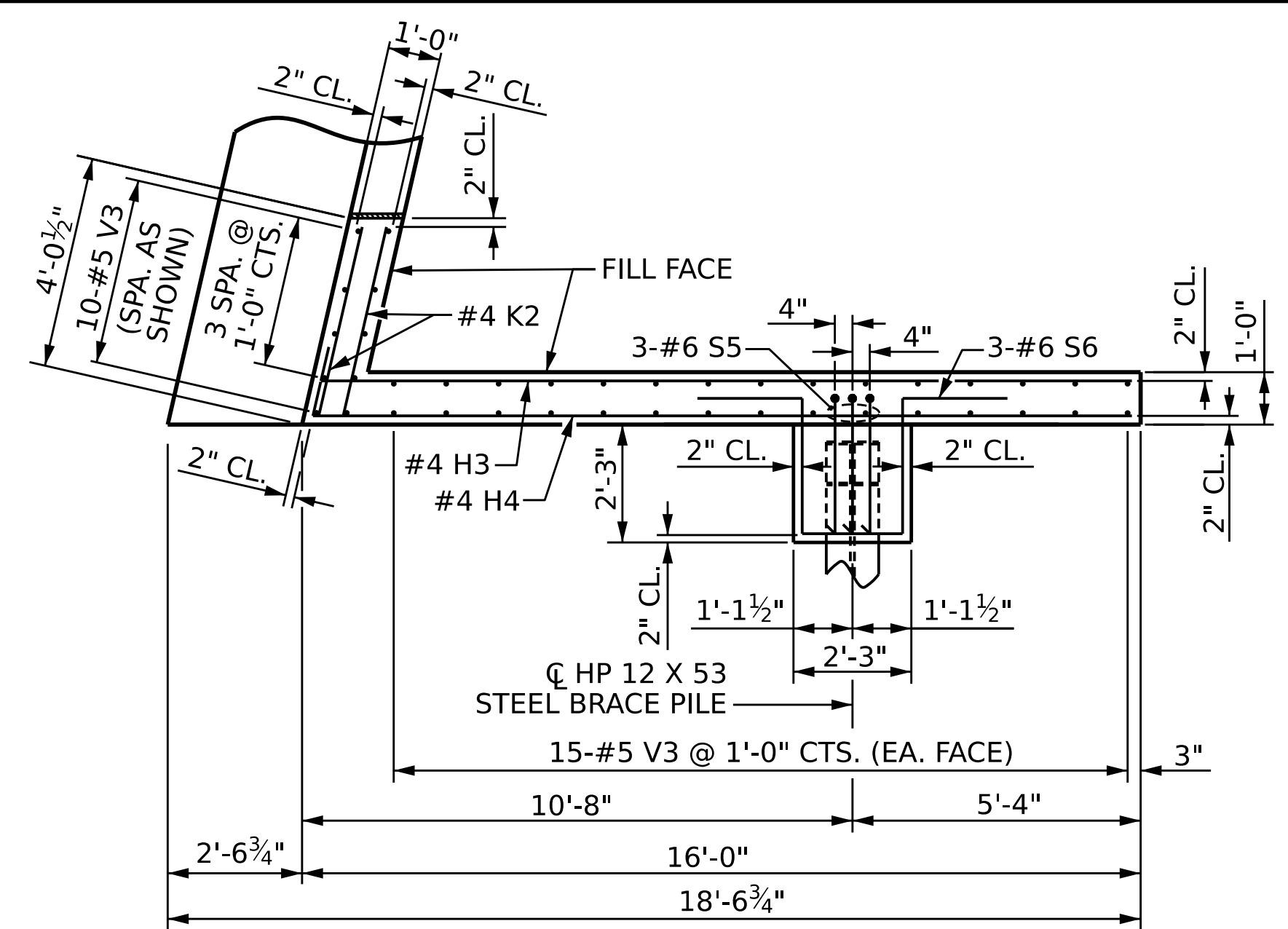
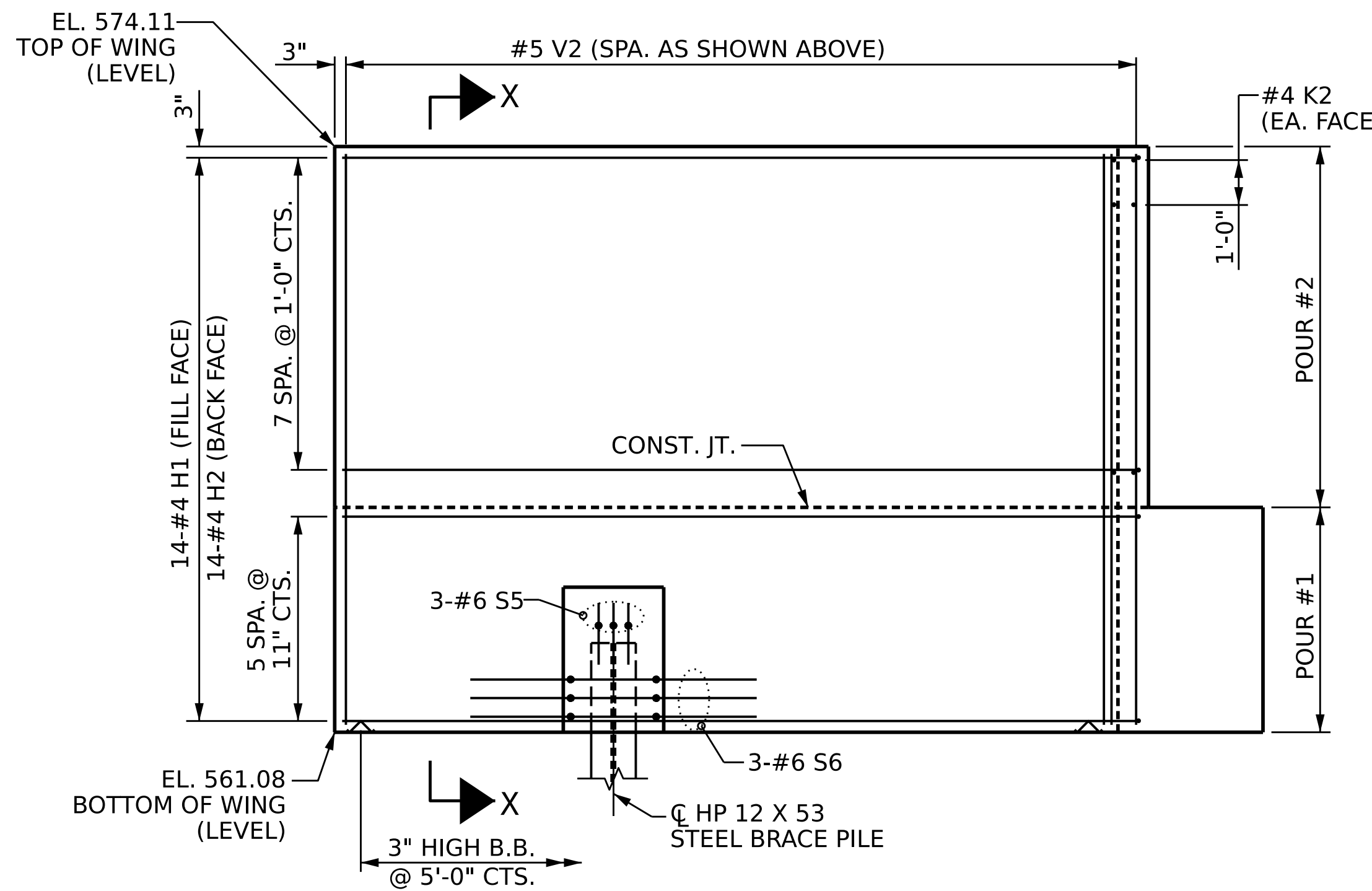


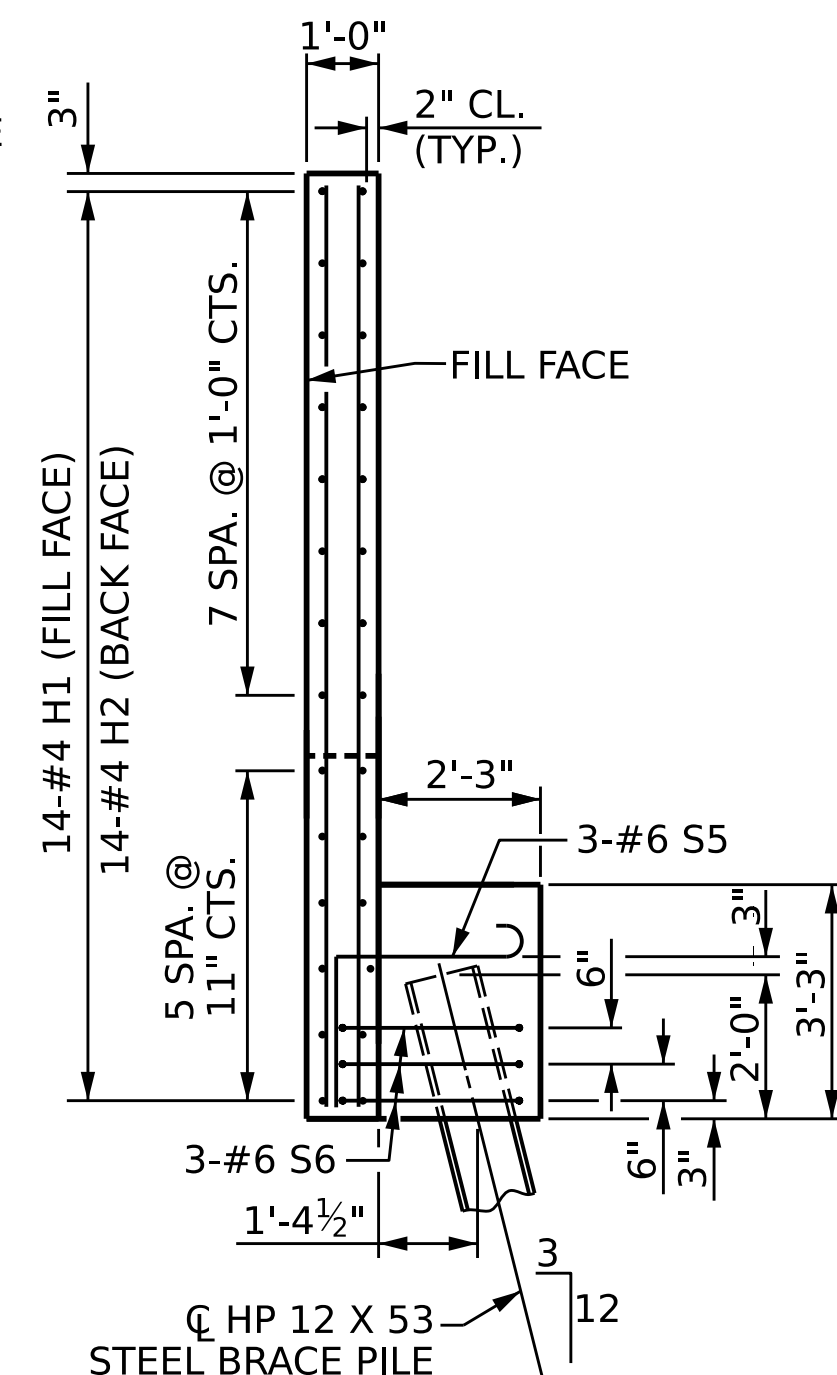
PLAN OF WING (W1)



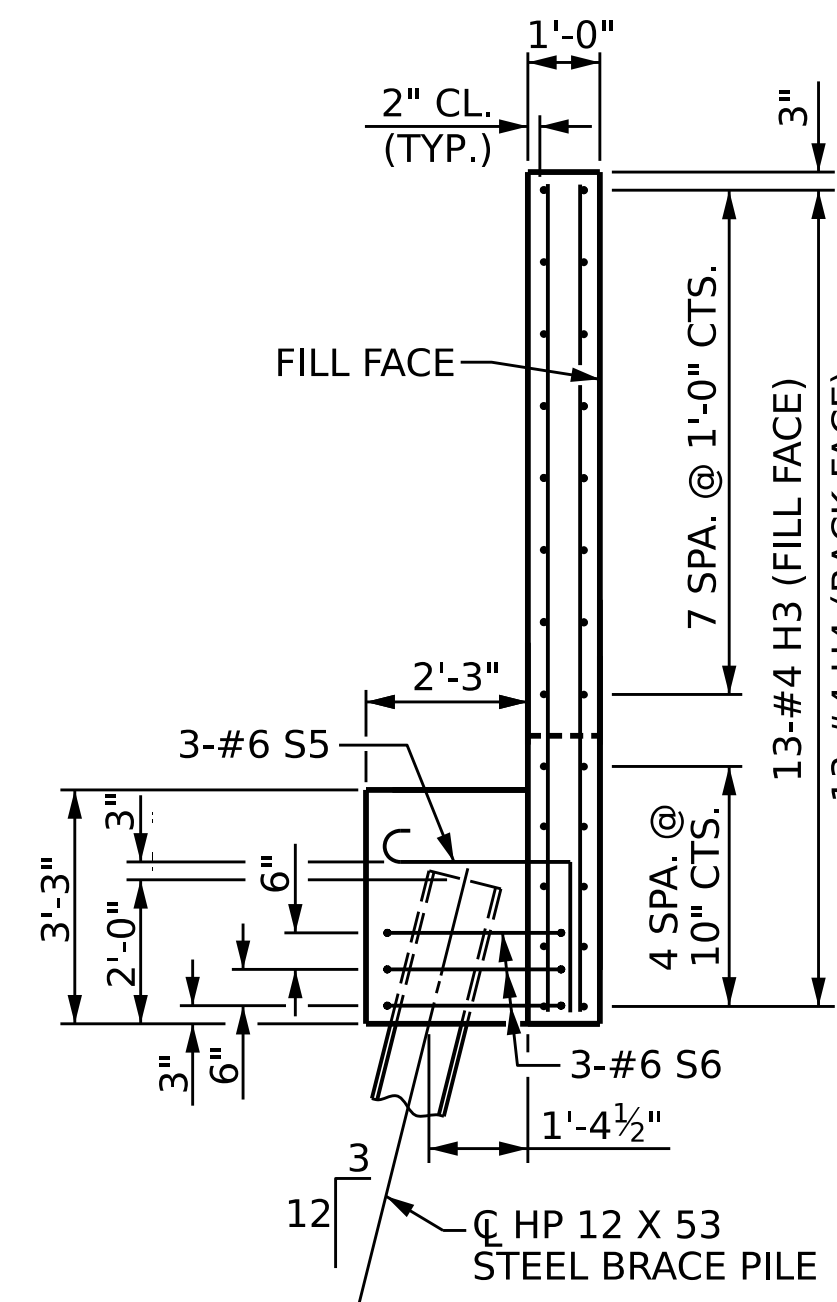
PLAN OF WING (W2)



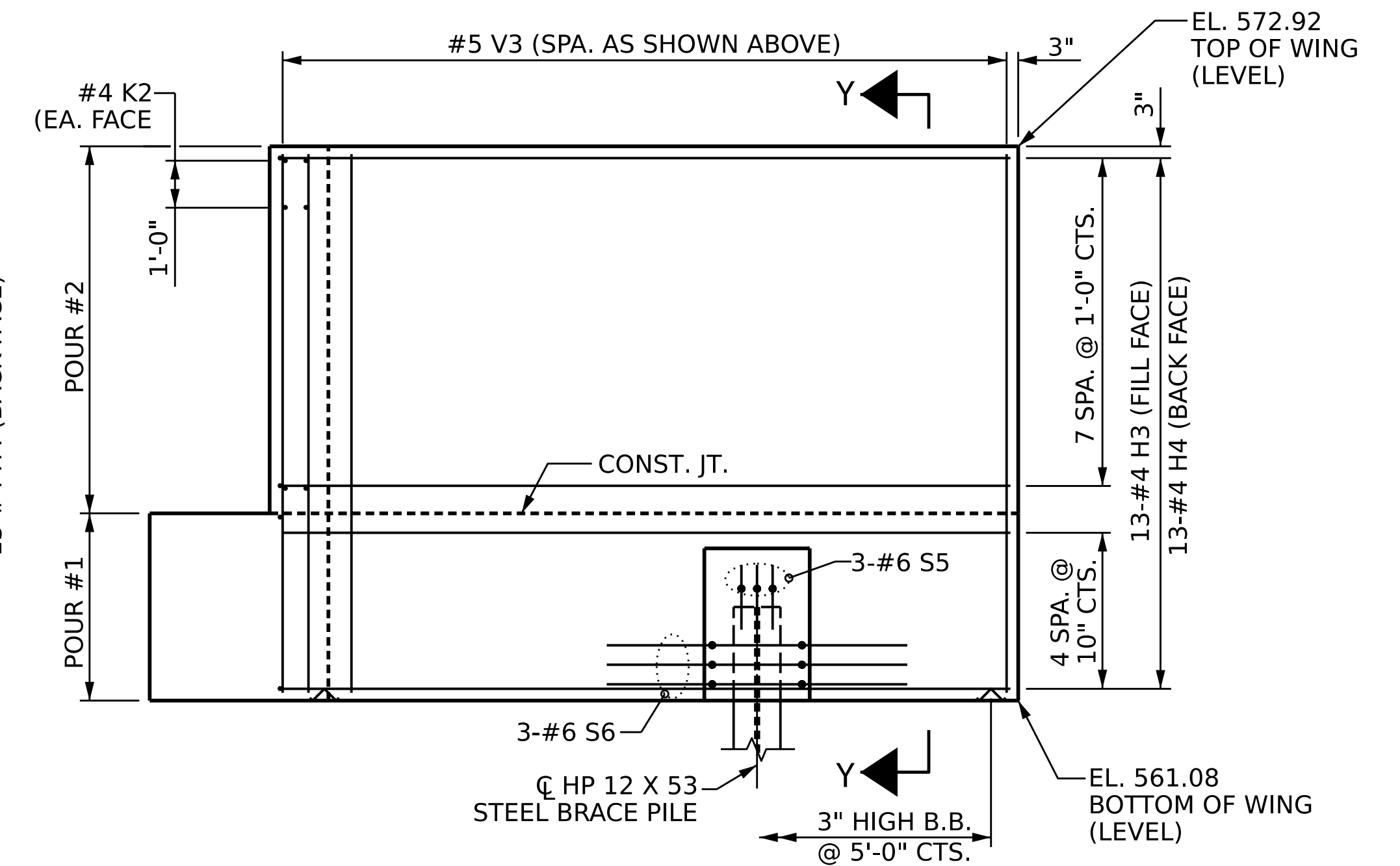
ELEVATION OF WING (W1)



SECTION X-X



SECTION Y-Y



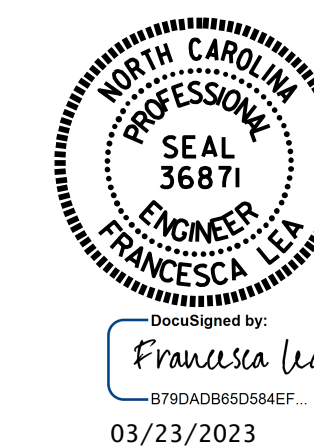
ELEVATION OF WING (W2)

PROJECT NO. B-5721

ROCKINGHAM COUNTY

STATION: 21+64.00 -L-

SHEET 2 OF 3



STATE OF NORTH CAROLINA
DEPARTMENT OF TRANSPORTATION
RALEIGH

SUBSTRUCTURE

END BENT 2

DRAWN BY : Q. T. NGUYEN DATE : 05/2022
CHECKED BY : F. LEA DATE : 12/2022
DESIGN ENGINEER OF RECORD : F. LEA DATE : 04/2022

DOCUMENT NOT CONSIDERED
FINAL UNLESS ALL
SIGNATURES COMPLETED

| REVISIONS | | SHEET NO. | |
|-----------|-----|-----------|--------------|
| NO. | BY: | DATE: | NO. |
| 1 | | | S-27 |
| 2 | | | TOTAL SHEETS |
| | | | 31 |