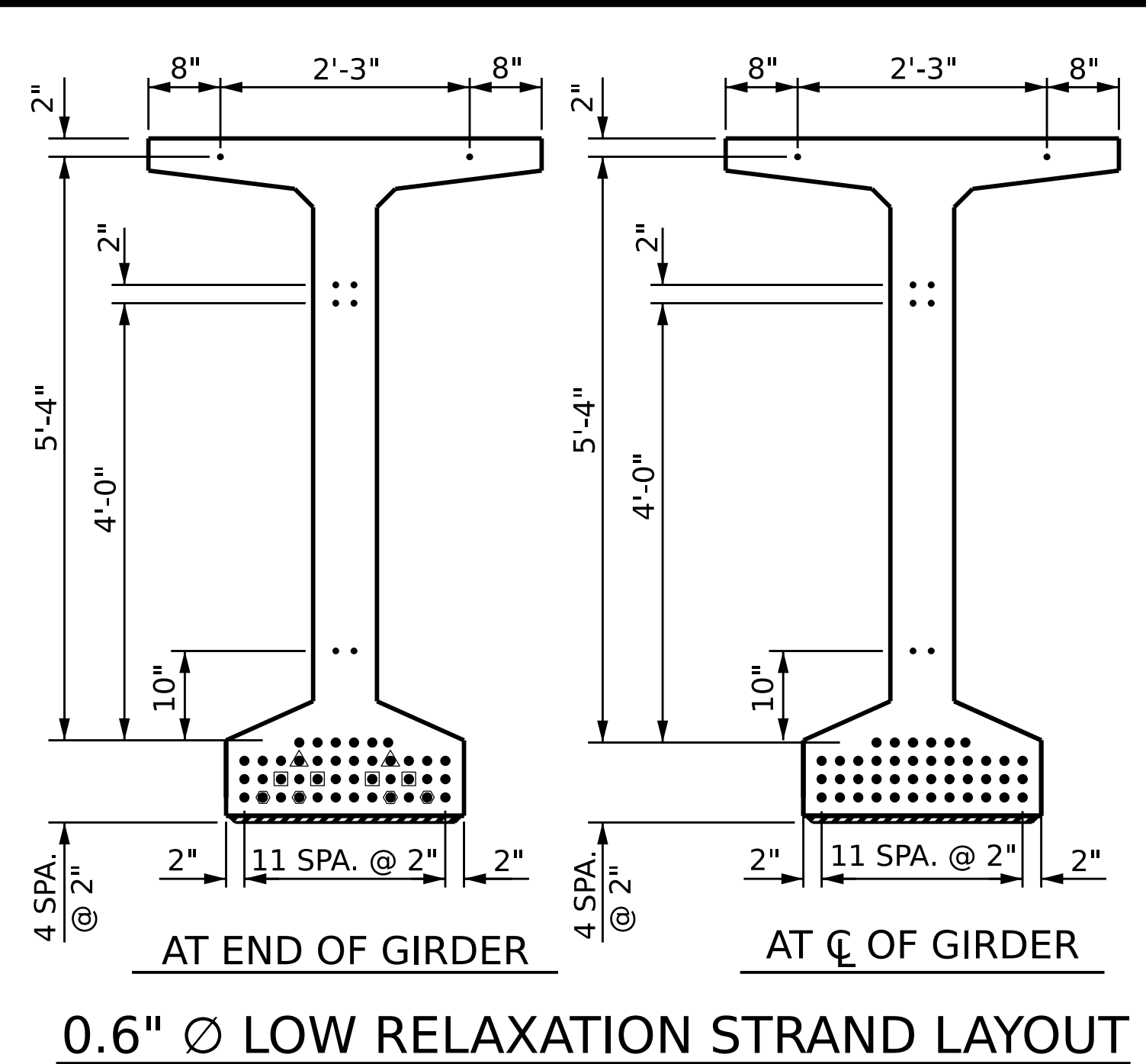


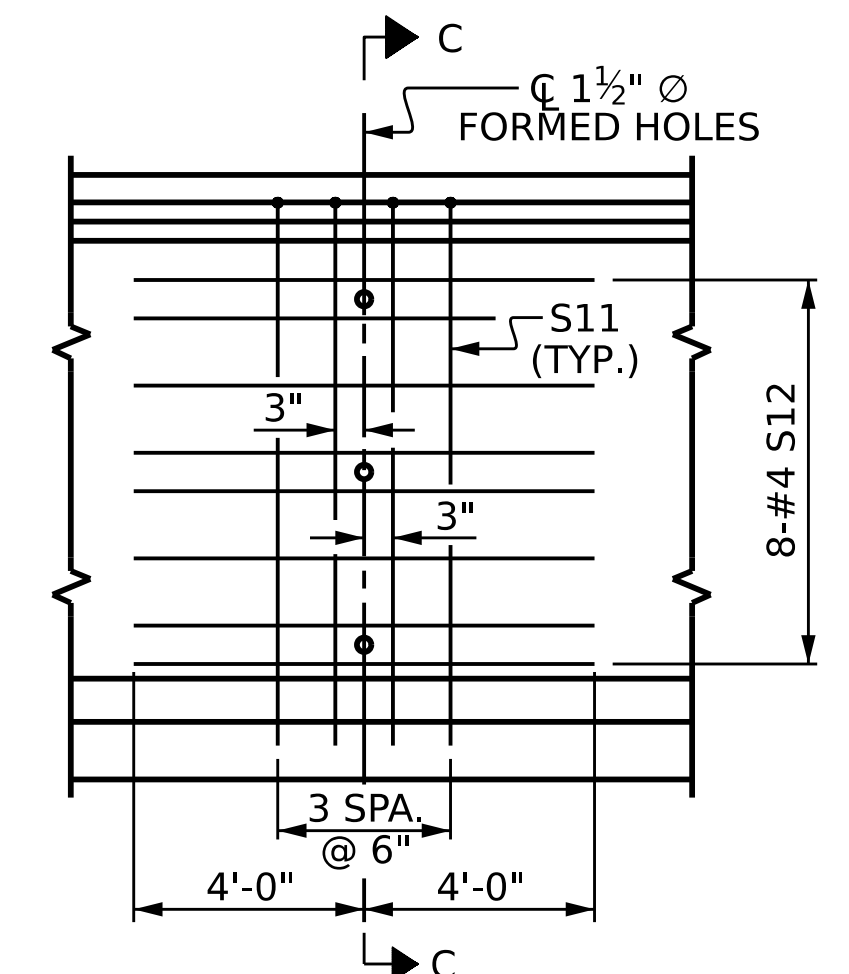
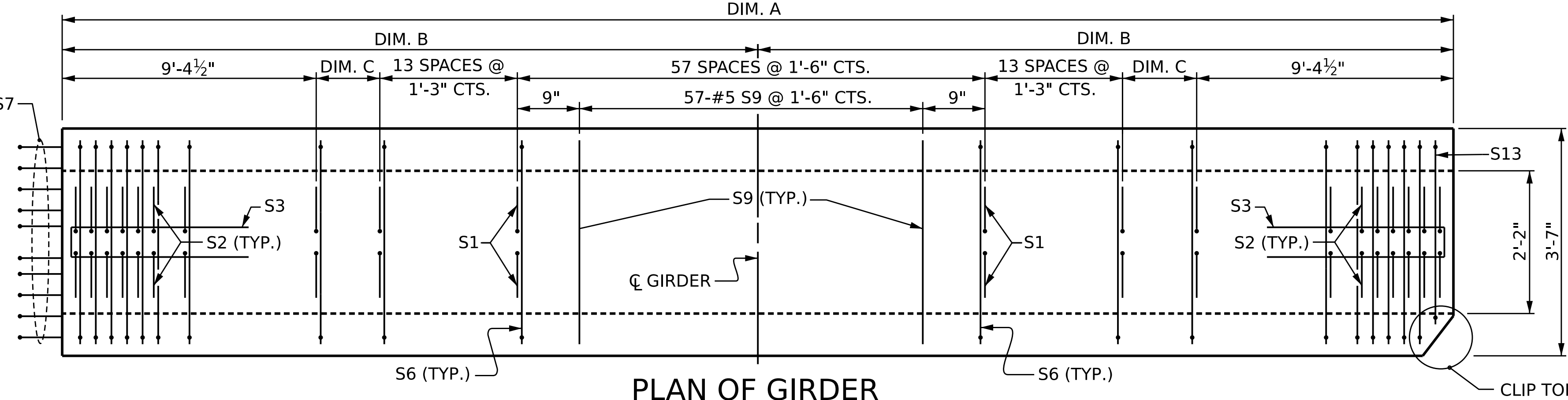
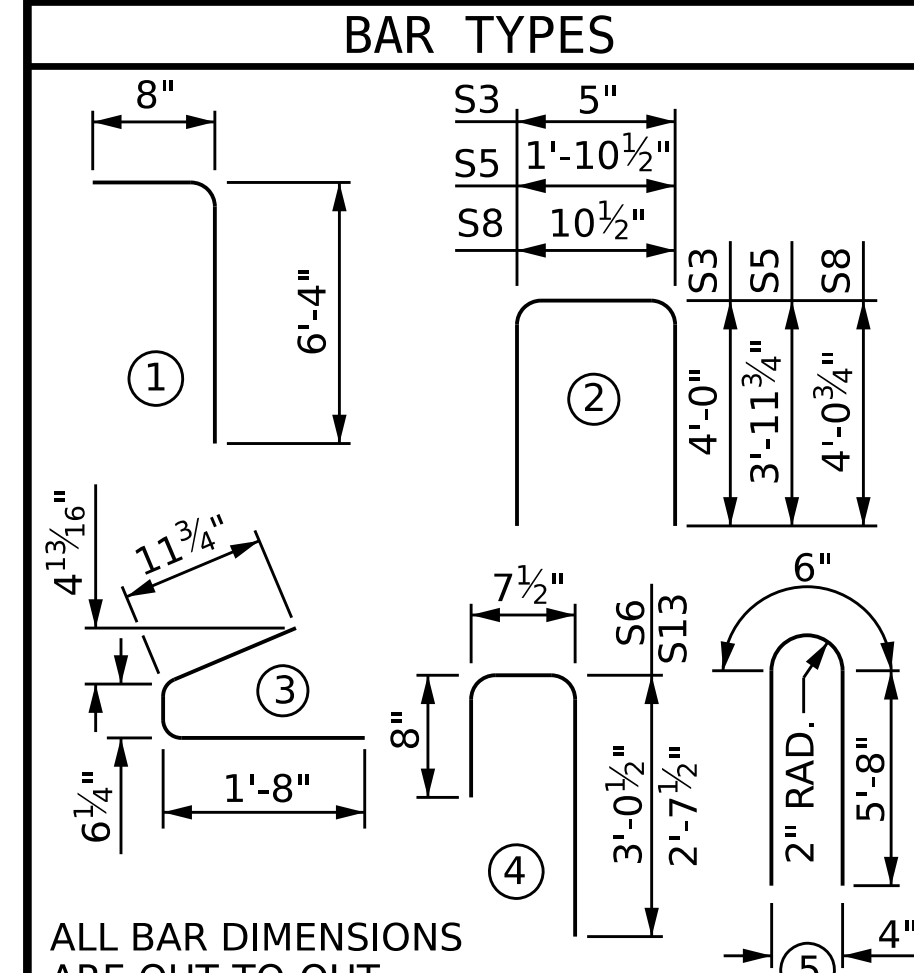
- DEBONDING LEGEND**
- FULLY BONDED STRANDS
  - STRANDS DEBONDED FOR 8'-0" FROM END OF GIRDER
  - STRANDS DEBONDED FOR 12'-0" FROM END OF GIRDER
  - STRANDS DEBONDED FOR 18'-0" FROM END OF GIRDER



0.6" Ø L.R. GRADE 270 STRANDS		
AREA (SQUARE INCHES)	ULTIMATE STRENGTH (LBS. PER STRAND)	APPLIED PRESTRESS (LBS. PER STRAND)
0.217	58,600	43,950

REINFORCING STEEL FOR ONE GDR					
BAR NUMBER	SIZE	TYPE	LENGTH	WEIGHT	
S1	230	#4	1	7'-0"	1076
S2	24	#5	1	7'-0"	175
S3	14	#4	2	8'-5"	79
S4	84	#4	3	3'-2"	178
S5	1	#5	2	9'-10"	10
S6	254	#5	4	4'-4"	1148
* S7	10	#5	STR	3'-8"	38
S8	2	#5	2	9'-0"	19
S9	57	#5	STR	3'-3"	193
S10	1	#3	STR	1'-10"	1
S11	8	#5	5	11'-10"	99
S12	16	#4	STR	8'-0"	86
S13	2	#5	4	3'-11"	8

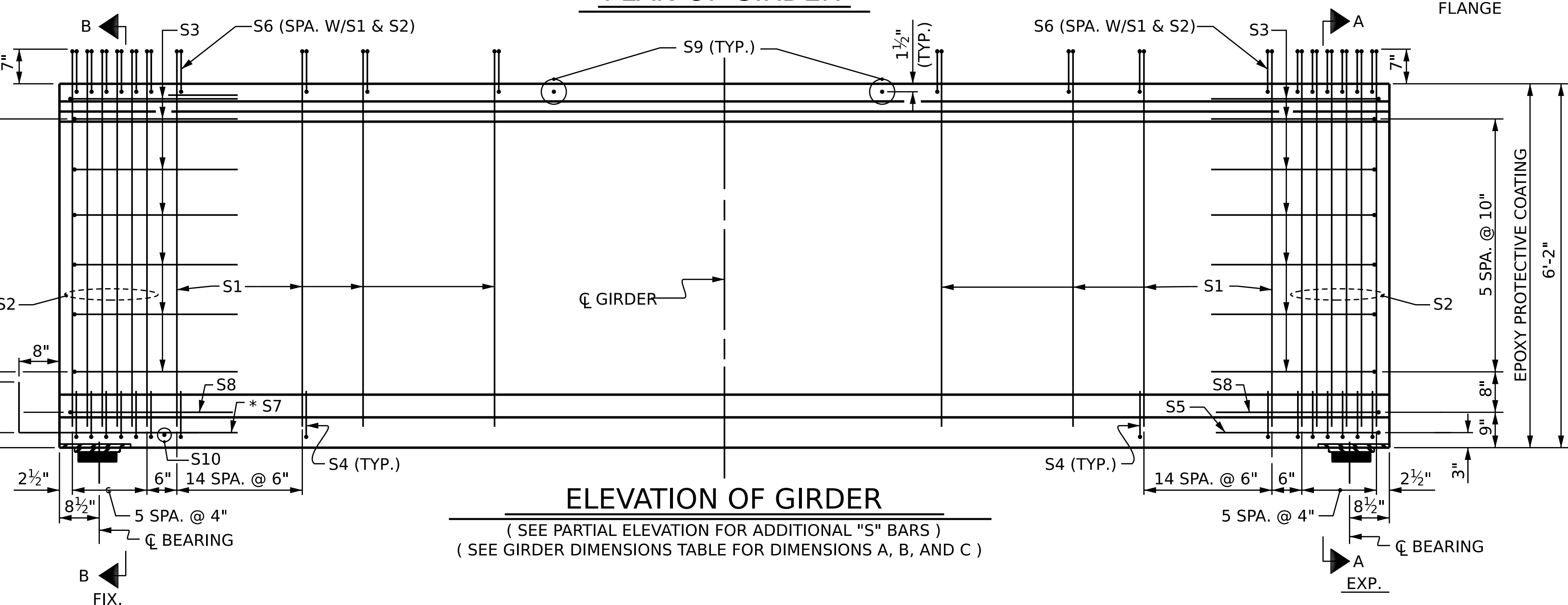
\* NOTE: S7 BARS SHALL BE BENT BEFORE SHIPMENT. HEAT BENDING SHALL NOT BE ALLOWED.



QUANTITIES FOR ONE GIRDER			
GIRDERS INT. & EXT.	REINFORCING STEEL	9,500 PSI CONCRETE	0.6" Ø L.R. STRANDS
	LB.	C.Y.	No.
	3110	31.6	50

GIRDERS REQUIRED		
NUMBER	LENGTH	TOTAL LENGTH
5	DIM. A	693.81'

GIRDER DIMENSION TABLE			
GIRDER #	DIM. A	DIM. B	DIM. C
1	138'-8 1/4"	69'-4 1/8"	11 1/8"
2	138'-8 1/16"	69'-4 5/16"	11 13/16"
3	138'-9 1/8"	69'-4 9/16"	1'-0 1/16"
4	138'-9 5/8"	69'-4 13/16"	1'-0 5/16"
5	138'-10 1/16"	69'-5 1/16"	1'-0 9/16"



PROJECT NO. **B-5721**  
**ROCKINGHAM** COUNTY  
 STATION: **21+64.00 -L-**  
 SHEET 2 OF 4

STATE OF NORTH CAROLINA  
 DEPARTMENT OF TRANSPORTATION  
 RALEIGH  
 STANDARD  
**74" PRESTRESSED CONCRETE MODIFIED BULB TEE CONTINUOUS FOR LIVE LOAD - SPAN B**

REVISIONS					SHEET NO. S-13
NO.	BY:	DATE:	NO.	DATE:	
1			3		TOTAL SHEETS 31
2			4		

DOCUMENT NOT CONSIDERED FINAL UNLESS ALL SIGNATURES COMPLETED

ASSEMBLED BY: Q.T. NGUYEN	DATE: 11/2022
CHECKED BY: F. LEA	DATE: 12/2022
DRAWN BY: EEM 2/6/97	REV. 1/15 MAA/TMG
CHECKED BY: VAP 2/6/97	REV. 12/17 MAA/THC
	REV. 11/21 BNB/AAI