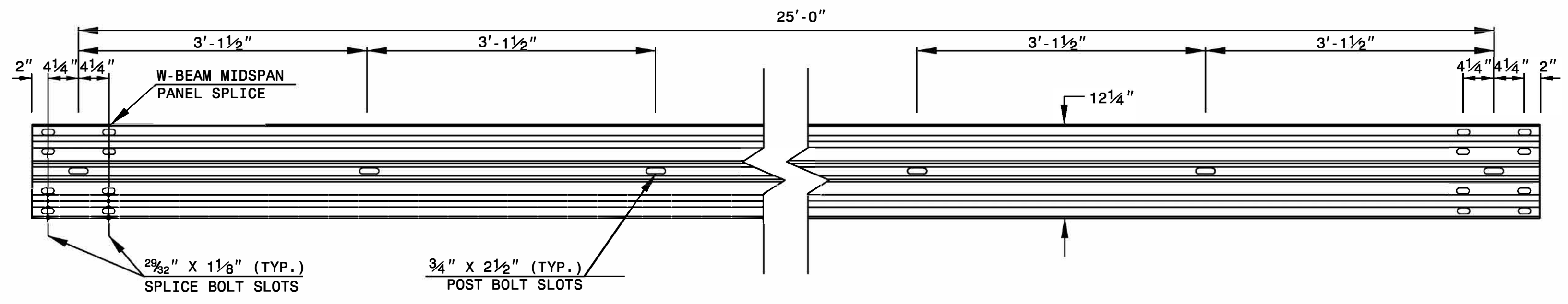


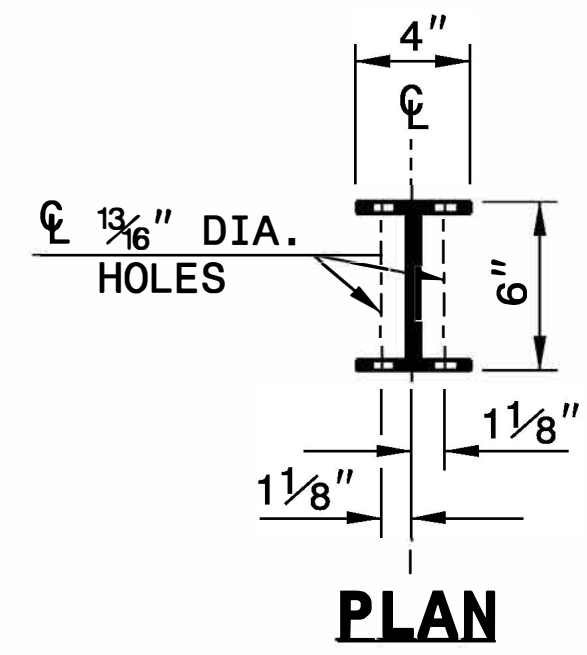
STATE OF  
NORTH CAROLINA  
DEPT. OF TRANSPORTATION  
DIVISION OF HIGHWAYS  
RALEIGH, N.C.

ROADWAY DETAIL DRAWING FOR  
**GUARDRAIL INSTALLATION**

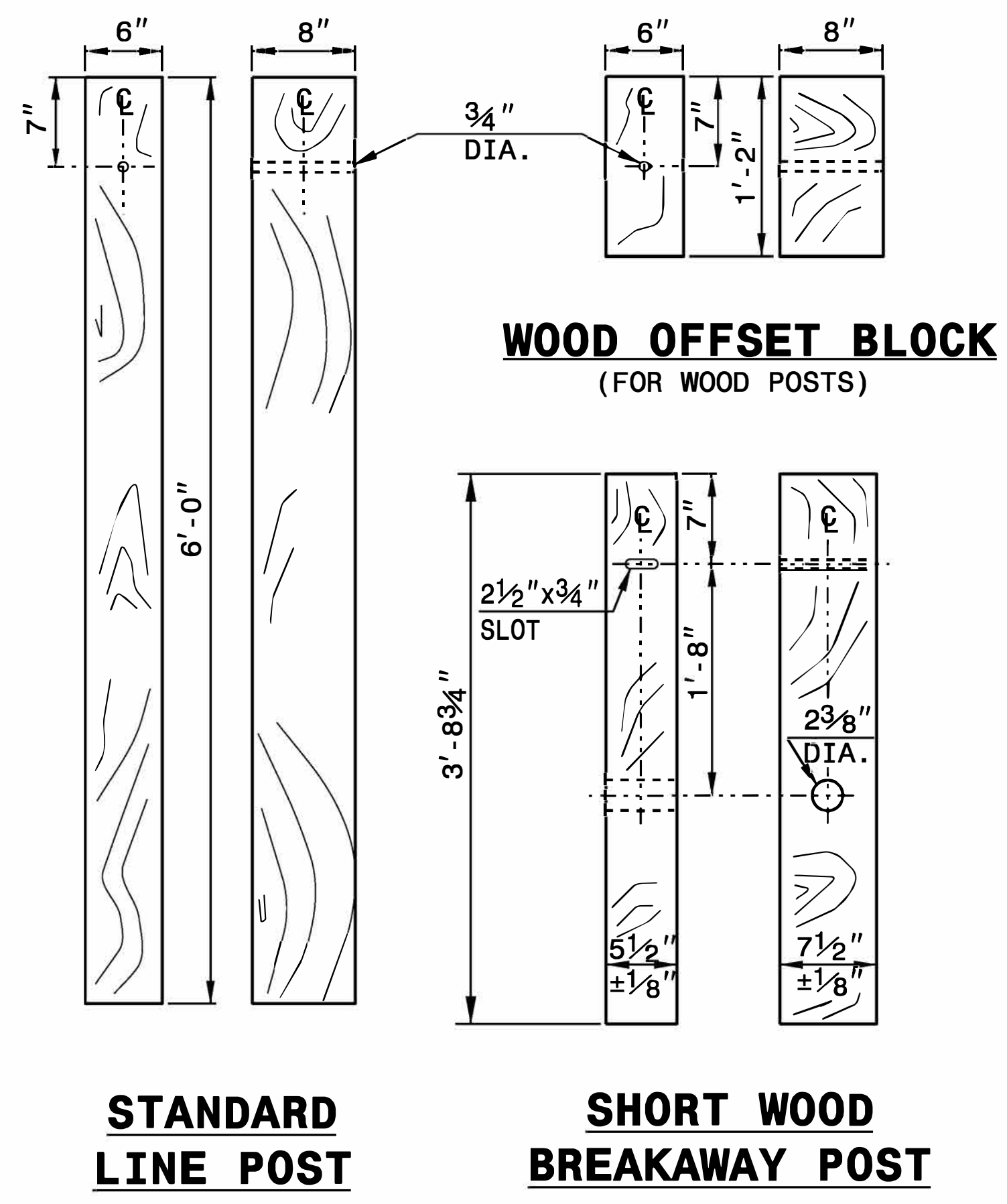
SHEET 6 OF 8  
**862D02**



**STANDARD W-BEAM GUARDRAIL**

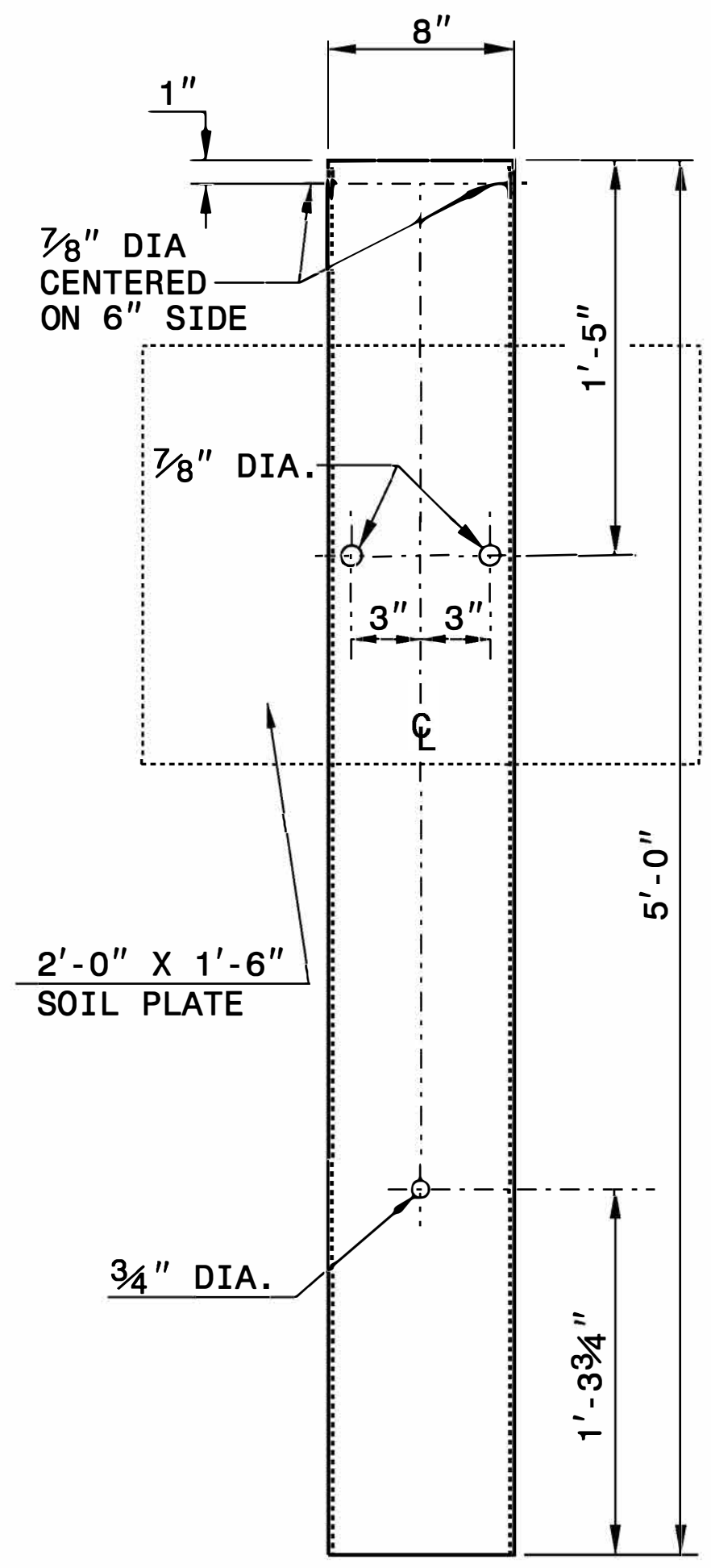


**PLAN**

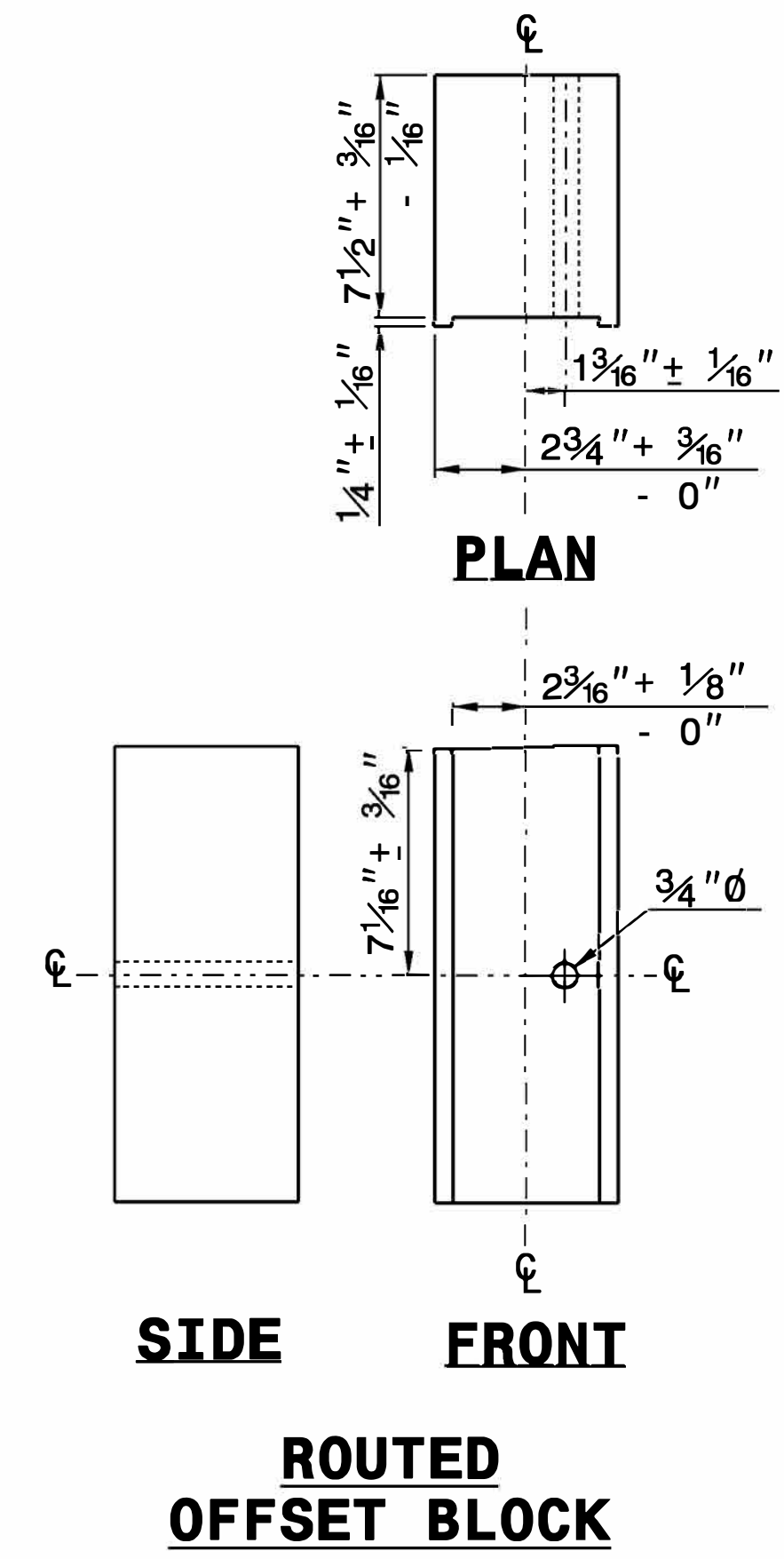


**STANDARD LINE POST**

**SHORT WOOD BREAKAWAY POST**



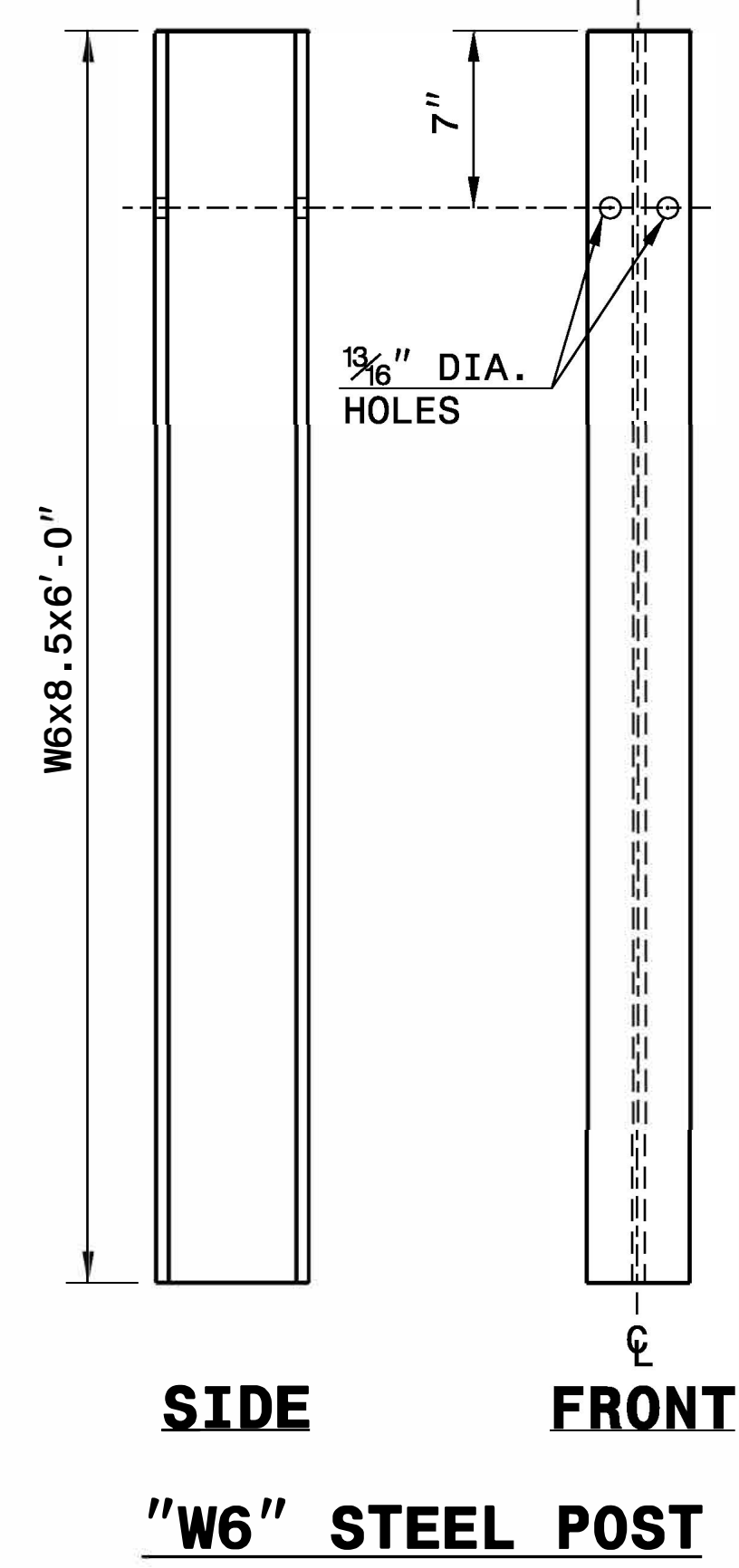
**STEEL TUBE**  
TS 6"x8"x0.1875"



**SIDE**

**FRONT**

**ROUTED OFFSET BLOCK**



**SIDE**

**FRONT**

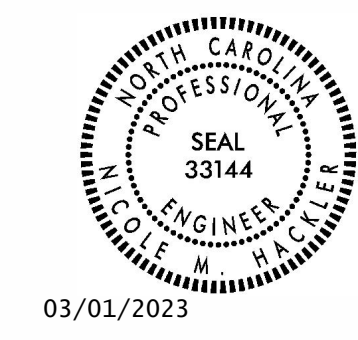
**"W6" STEEL POST**

**SYSTEM PARTS**

STATE OF  
NORTH CAROLINA  
DEPT. OF TRANSPORTATION  
DIVISION OF HIGHWAYS  
RALEIGH, N.C.

ROADWAY DETAIL DRAWING FOR  
**GUARDRAIL INSTALLATION**

SHEET 6 OF 8  
**862D02**



03/01/2023

DocuSigned by:  
Nicole Hecker  
5884320418465

**CONTRACTS STANDARDS AND DEVELOPMENT UNIT**  
Office 919-707-6950 FAX 919-250-4119

**SEE TITLE BLOCK**

ORIGINAL BY: J. HOWERTON DATE: 3-7-2018  
MODIFIED BY: DATE: \_\_\_\_\_  
CHECKED BY: DATE: \_\_\_\_\_  
FILE SPEC.: \_\_\_\_\_