

STATE OF NORTH CAROLINA
 DEPT. OF TRANSPORTATION
 DIVISION OF HIGHWAYS
 RALEIGH, N.C.

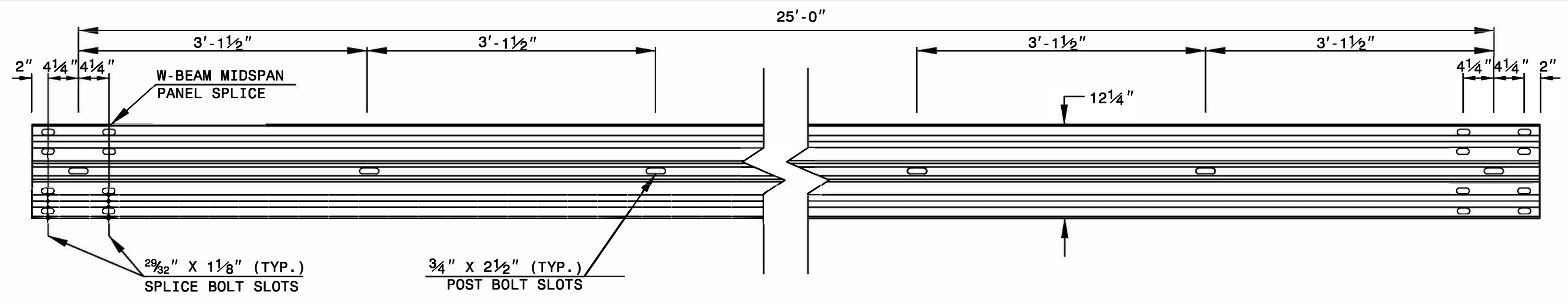
ROADWAY DETAIL DRAWING FOR
GUARDRAIL INSTALLATION

SHEET 6 OF 8
862D02

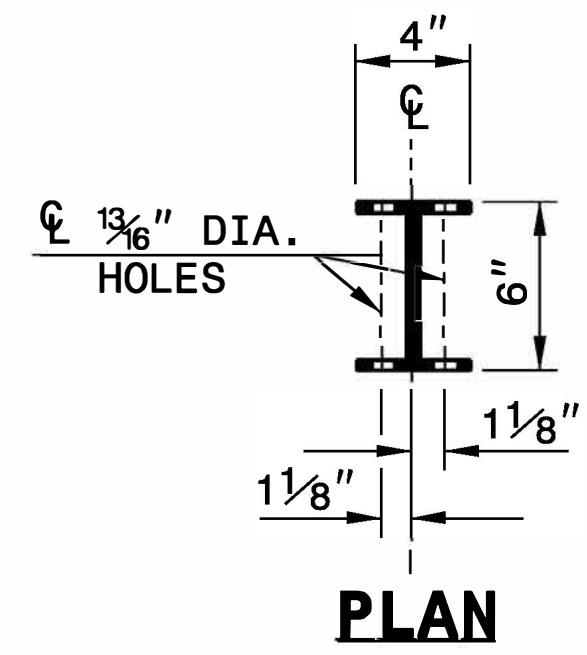
STATE OF NORTH CAROLINA
 DEPT. OF TRANSPORTATION
 DIVISION OF HIGHWAYS
 RALEIGH, N.C.

ROADWAY DETAIL DRAWING FOR
GUARDRAIL INSTALLATION

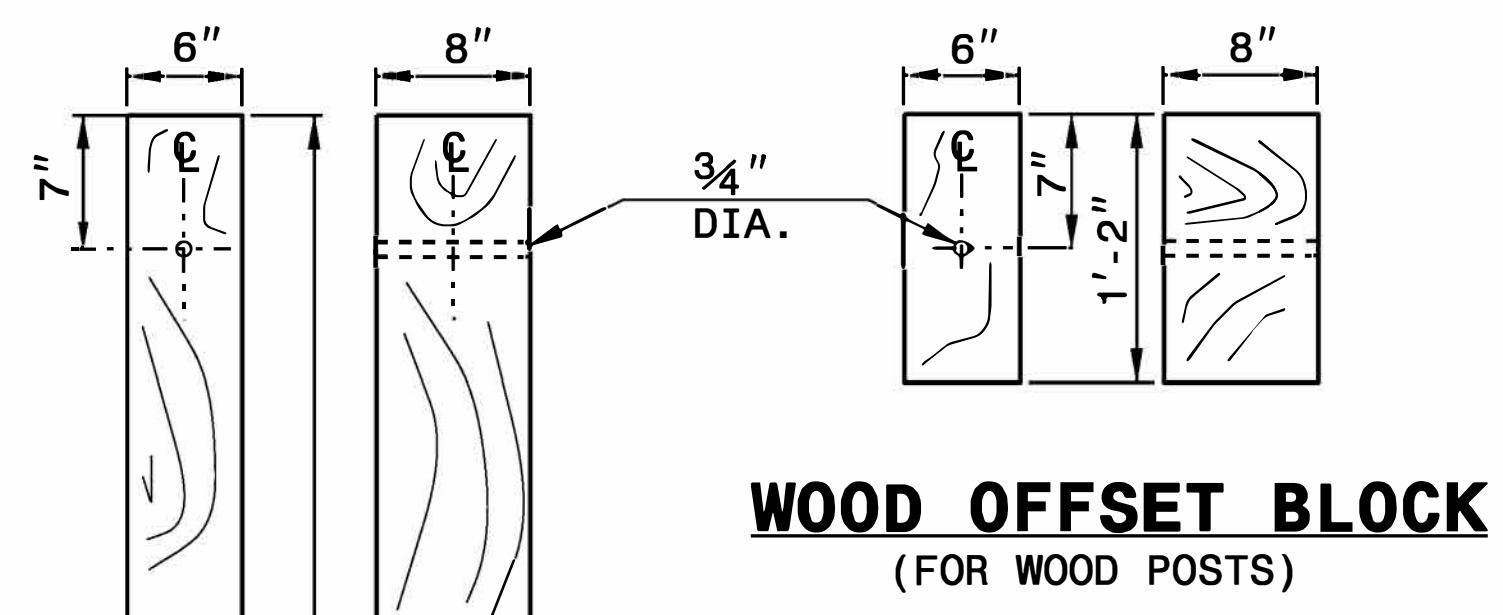
SHEET 6 OF 8
862D02



STANDARD W-BEAM GUARDRAIL



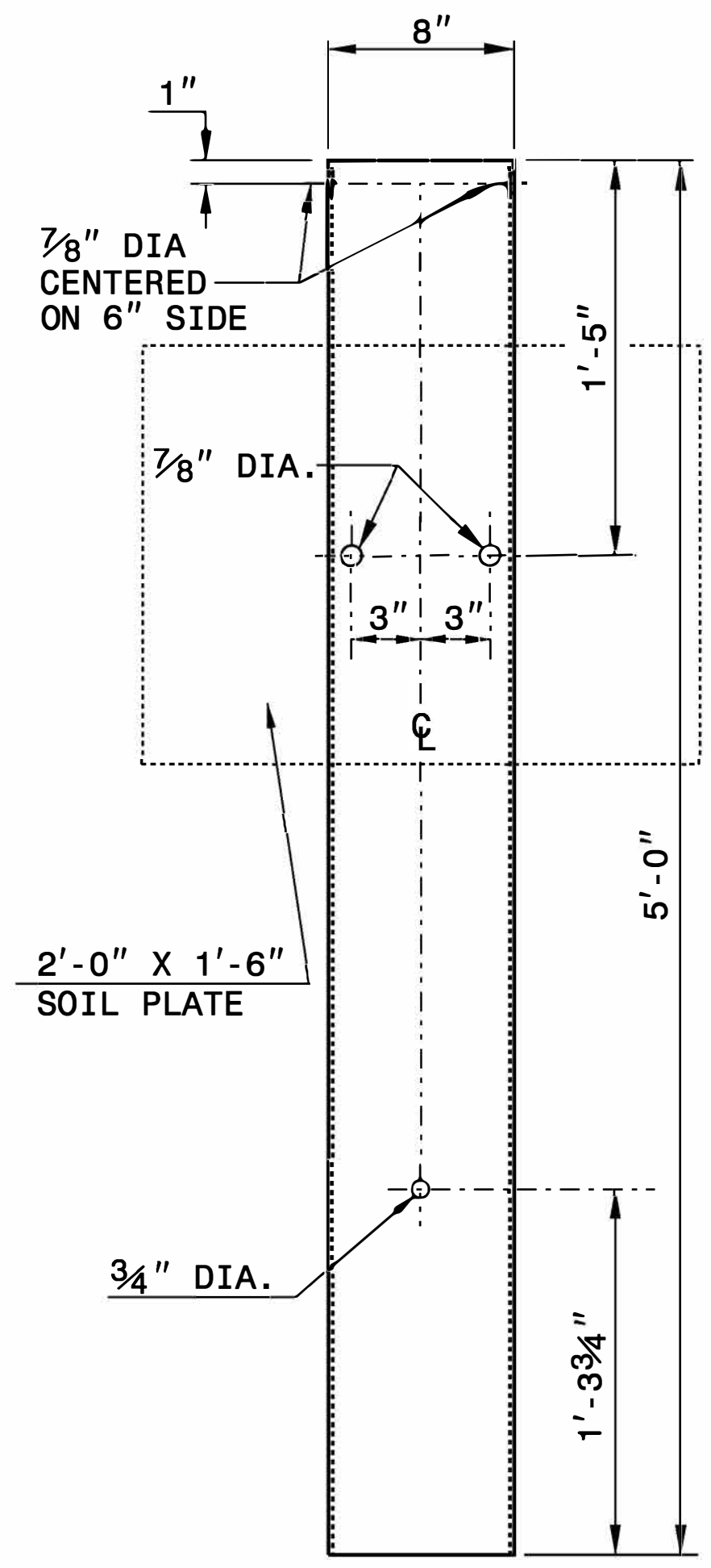
PLAN



WOOD OFFSET BLOCK (FOR WOOD POSTS)

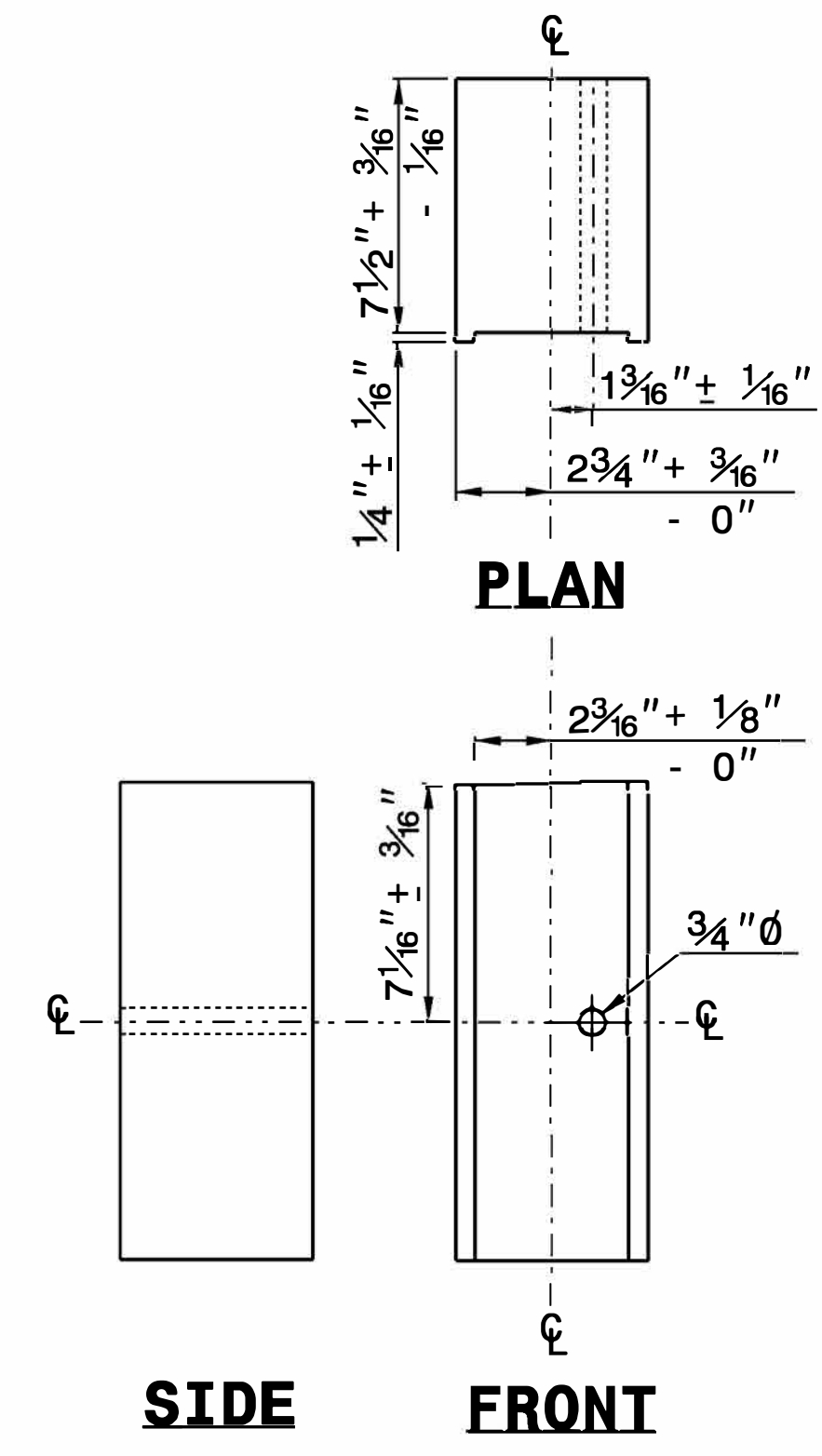
STANDARD LINE POST

SHORT WOOD BREAKAWAY POST



STEEL TUBE
 TS 6"x8"x0.1875"

SYSTEM PARTS

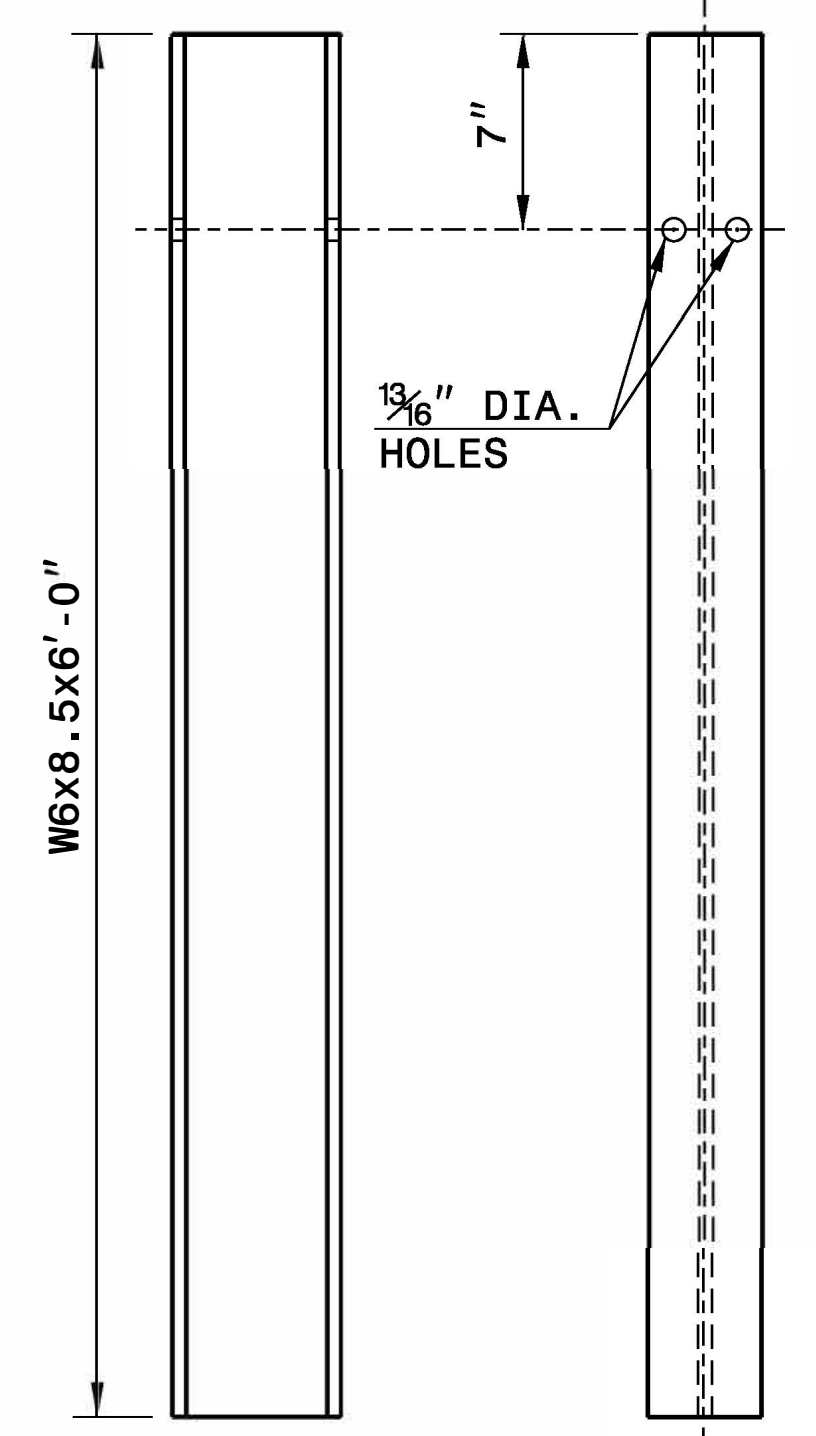


PLAN

SIDE

FRONT

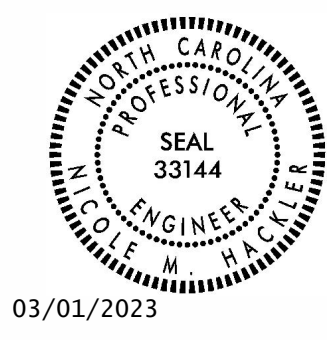
ROUTED OFFSET BLOCK



SIDE

FRONT

"W6" STEEL POST



03/01/2023

DocuSigned by:
 Nicole Hecker
 58643292349645

CONTRACTS STANDARDS AND DEVELOPMENT UNIT
 Office 919-707-6950 FAX 919-250-4119

SEE TITLE BLOCK

ORIGINAL BY: J. HOWERTON DATE: 3-7-2018
 MODIFIED BY: DATE: _____
 CHECKED BY: DATE: _____
 FILE SPEC.: _____