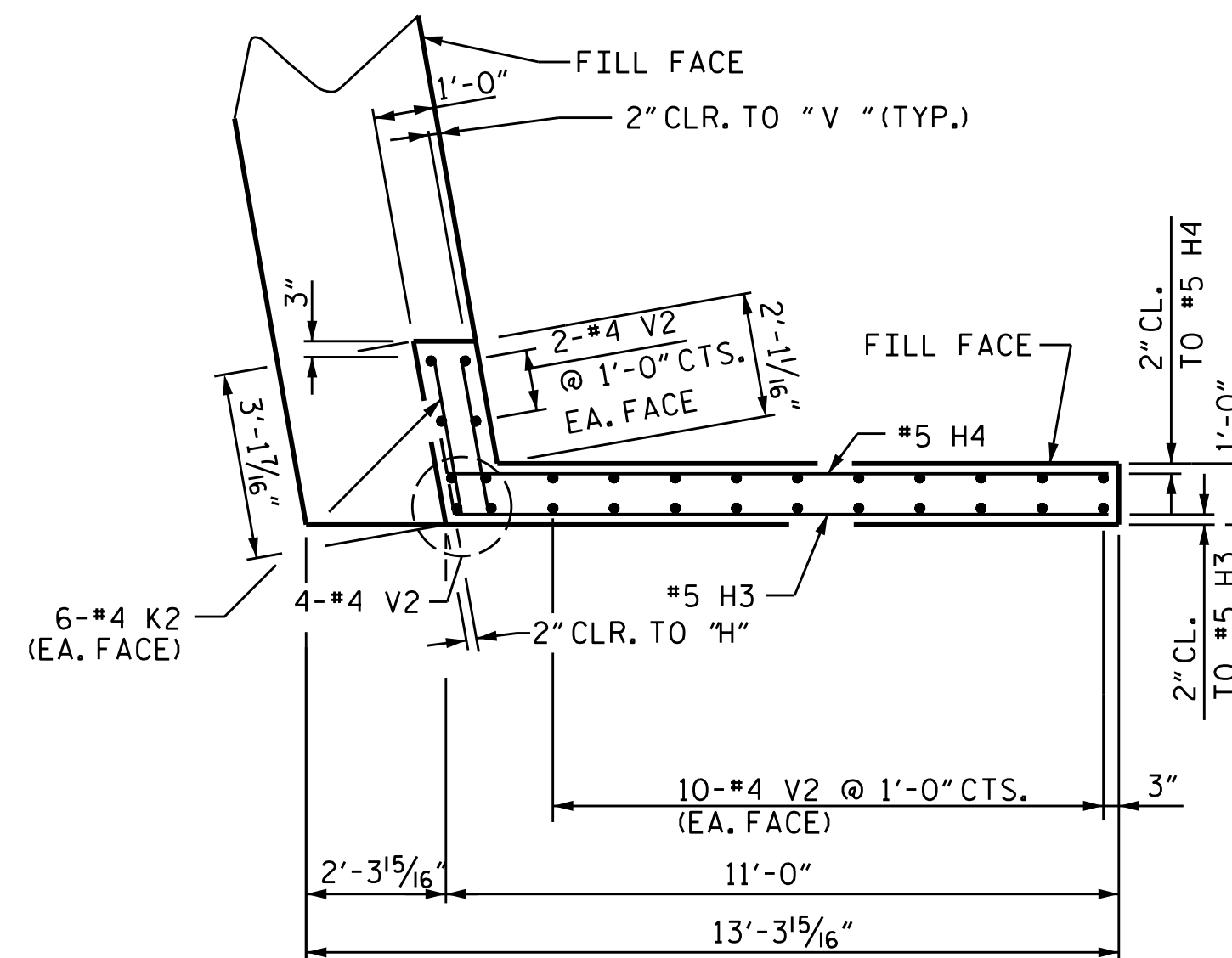
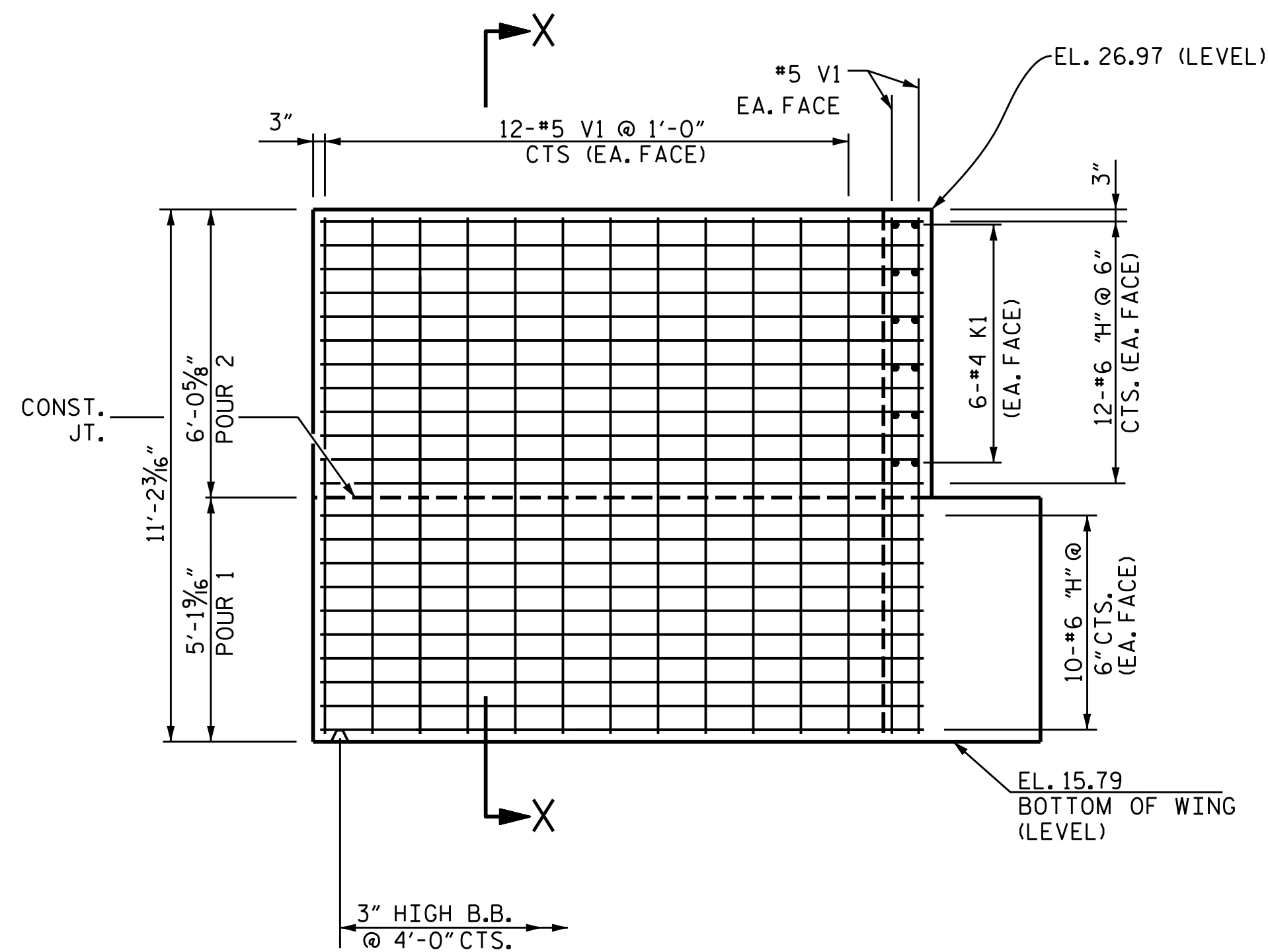


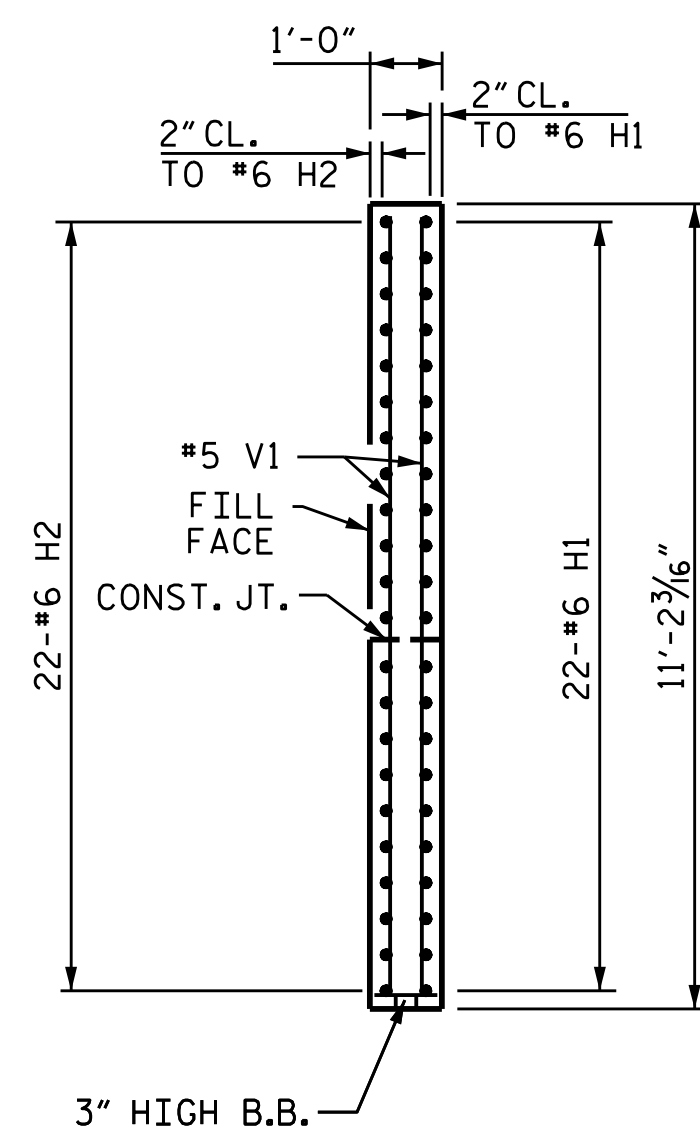
PLAN W1



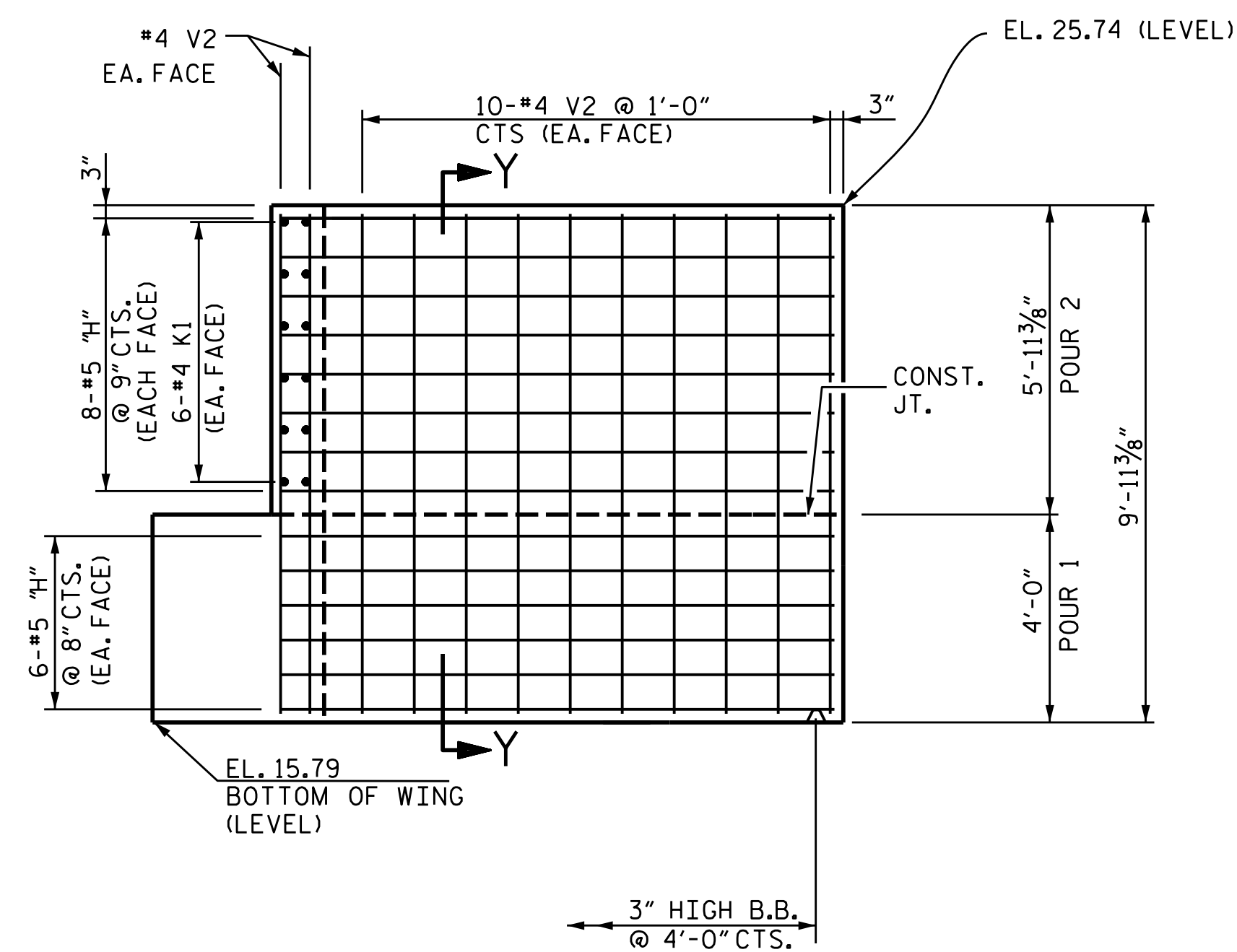
PLAN W2



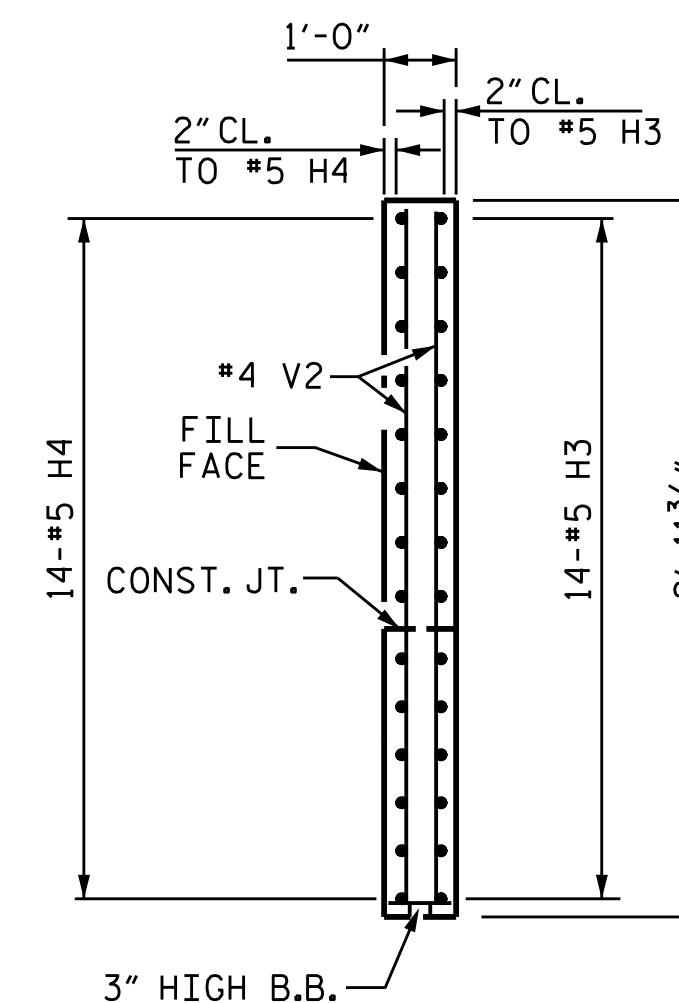
ELEVATION W1



SECTION X-X



ELEVATION W2



SECTION Y-Y

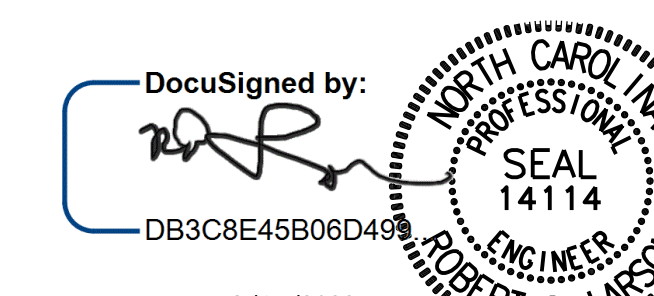
PROJECT NO. R-256ICA  
COLUMBUS COUNTY  
 STATION: 71+06.00 -L-

SHEET 2 OF 3

STATE OF NORTH CAROLINA  
 DEPARTMENT OF TRANSPORTATION  
 RALEIGH

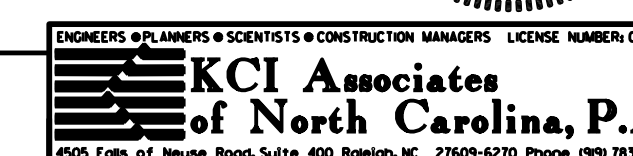
SUBSTRUCTURE  
 END BENT 2

RIGHT LANE



DESIGN ENGINEER OF RECORD	DATE: 8/15/2022
DRAWN BY: A. K. ALLANKI	DATE: 08/18/20
CHECKED BY: R. C. LARSON	DATE: 08/20/20

DOCUMENT NOT CONSIDERED FINAL  
 UNLESS ALL SIGNATURES COMPLETED



REVISIONS		SHEET NO.	
NO.	DATE	NO.	DATE
1		3	
2		4	

TOTAL SHEETS: 29

\$FILEL\$ \$TIME\$ \$USERS\$ \$PENTBL\$ \$PLTDVRS\$  
 \$DATES\$ KCI PROJECT NO. 241704391.04