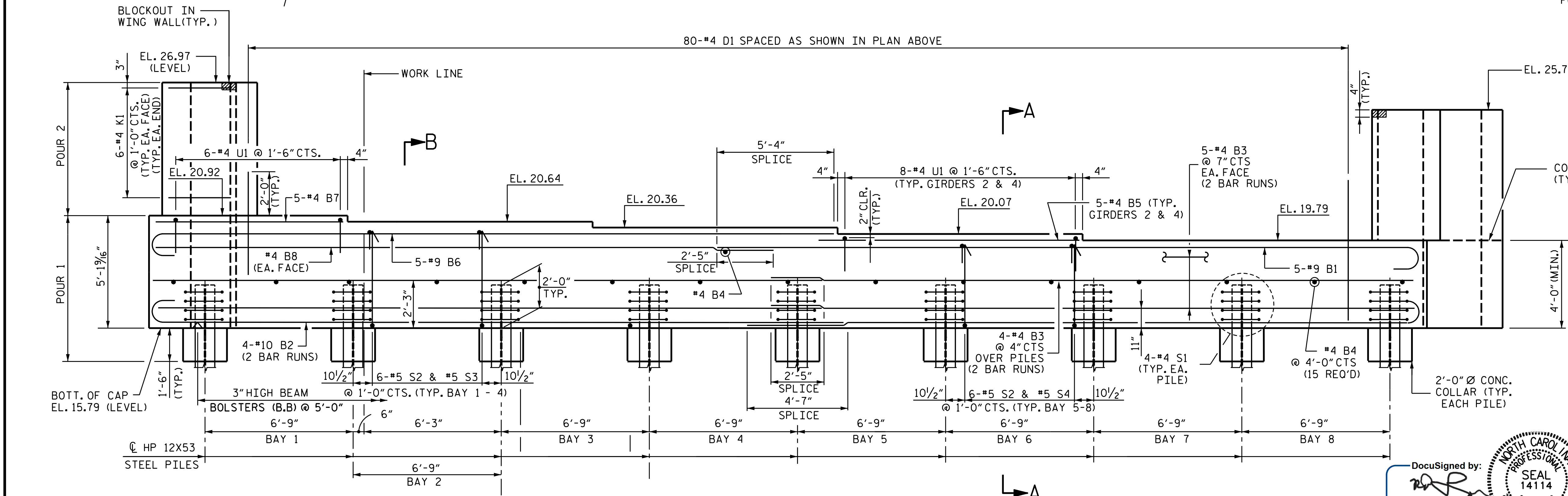


PLAN OF CAP

NOTES

- THE TOP SURFACE OF THE END BENT CAP AND WINGS (POUR 1) EXCEPT THE BEARING AREAS AND THE AREA OUTSIDE OF THE SUPERSTRUCTURE SHALL BE RAKED TO A DEPTH OF 1/4".
- THE CONCRETE IN THE SHADED AREA OF THE WING SHALL BE POURED AFTER THE BARRIER RAIL IS CAST IF SLIPFORMING IS USED.
- FOR "PILE SPLICE DETAILS", SEE END BENT 1.
- FOR SECTIONS THRU CAP SEE SHEET 3 OF 3.



ELEVATION

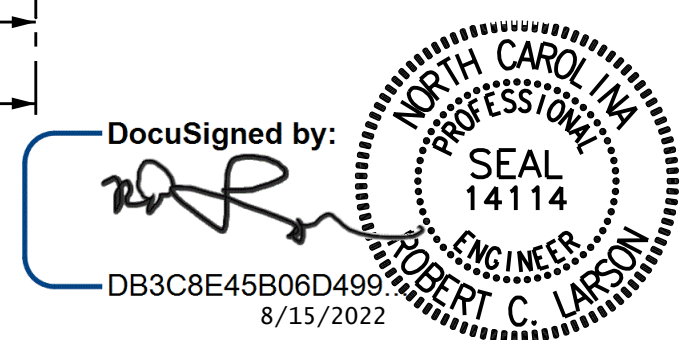
PROJECT NO. R-256ICA
 COLUMBUS COUNTY
 STATION: 71+06.00 -L-

SHEET 1 OF 3

STATE OF NORTH CAROLINA
 DEPARTMENT OF TRANSPORTATION
 RALEIGH

**SUBSTRUCTURE
 END BENT 2**

RIGHT LANE



DESIGN ENGINEER OF RECORD: *[Signature]* DATE: 8/15/2022
 DRAWN BY: A. K. ALLANKI DATE: 08/17/20
 CHECKED BY: R. C. LARSON DATE: 08/20/20

DOCUMENT NOT CONSIDERED FINAL
 UNLESS ALL SIGNATURES COMPLETED

KCI Associates
 of North Carolina, P.A.
 4505 Falls of House Road, Suite 400 Raleigh, NC 27609-6270 Phone 919-785-9241

REVISIONS		SHEET NO.	
NO.	DATE	NO.	DATE
1		3	
2		4	

TOTAL SHEETS: 29

\$FILEL\$ \$DATER\$ \$TIME\$ \$USERS\$ \$PENTDRVS\$ \$PLTDVRS\$
 KCI PROJECT NO. 241704391.04