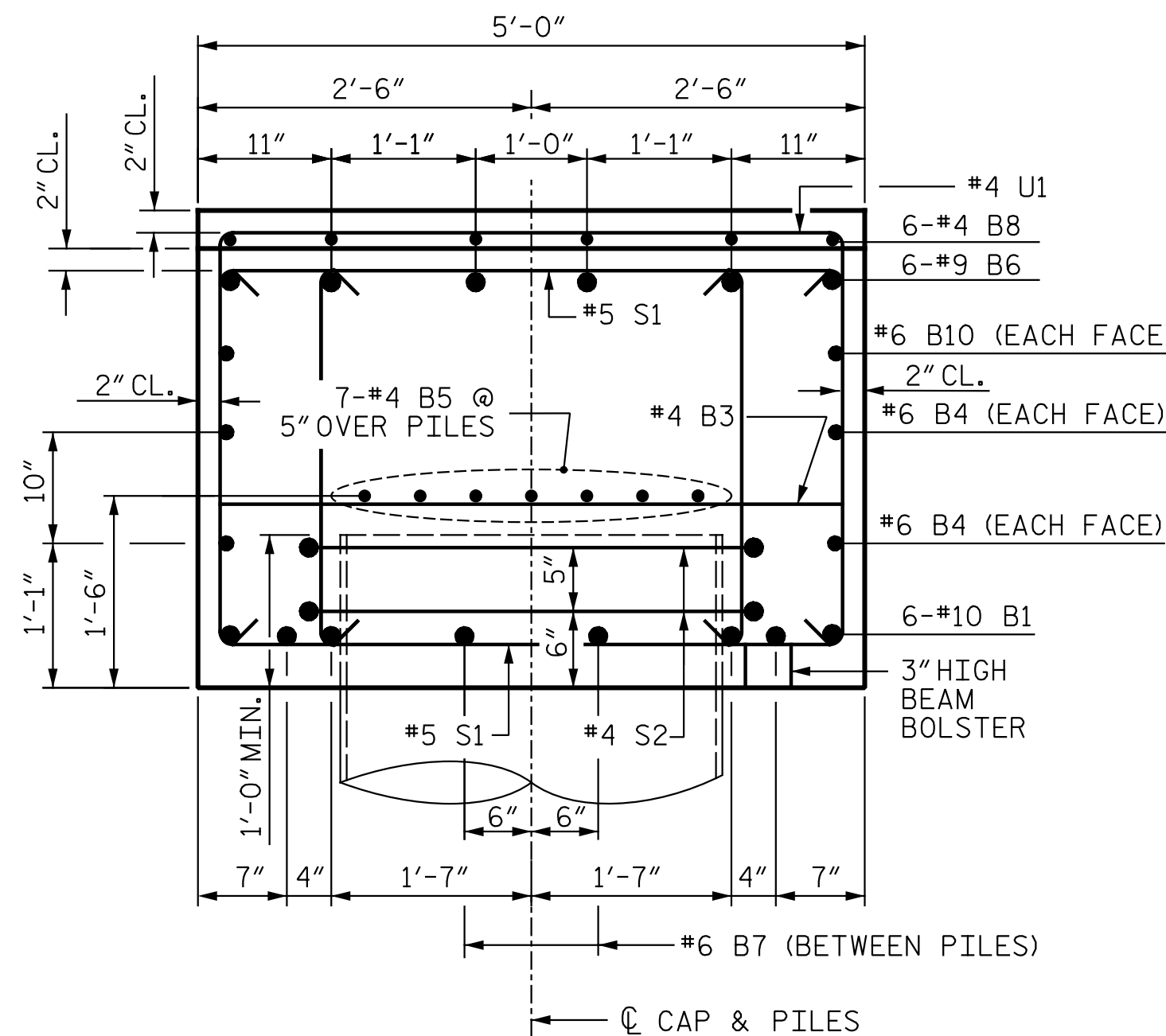
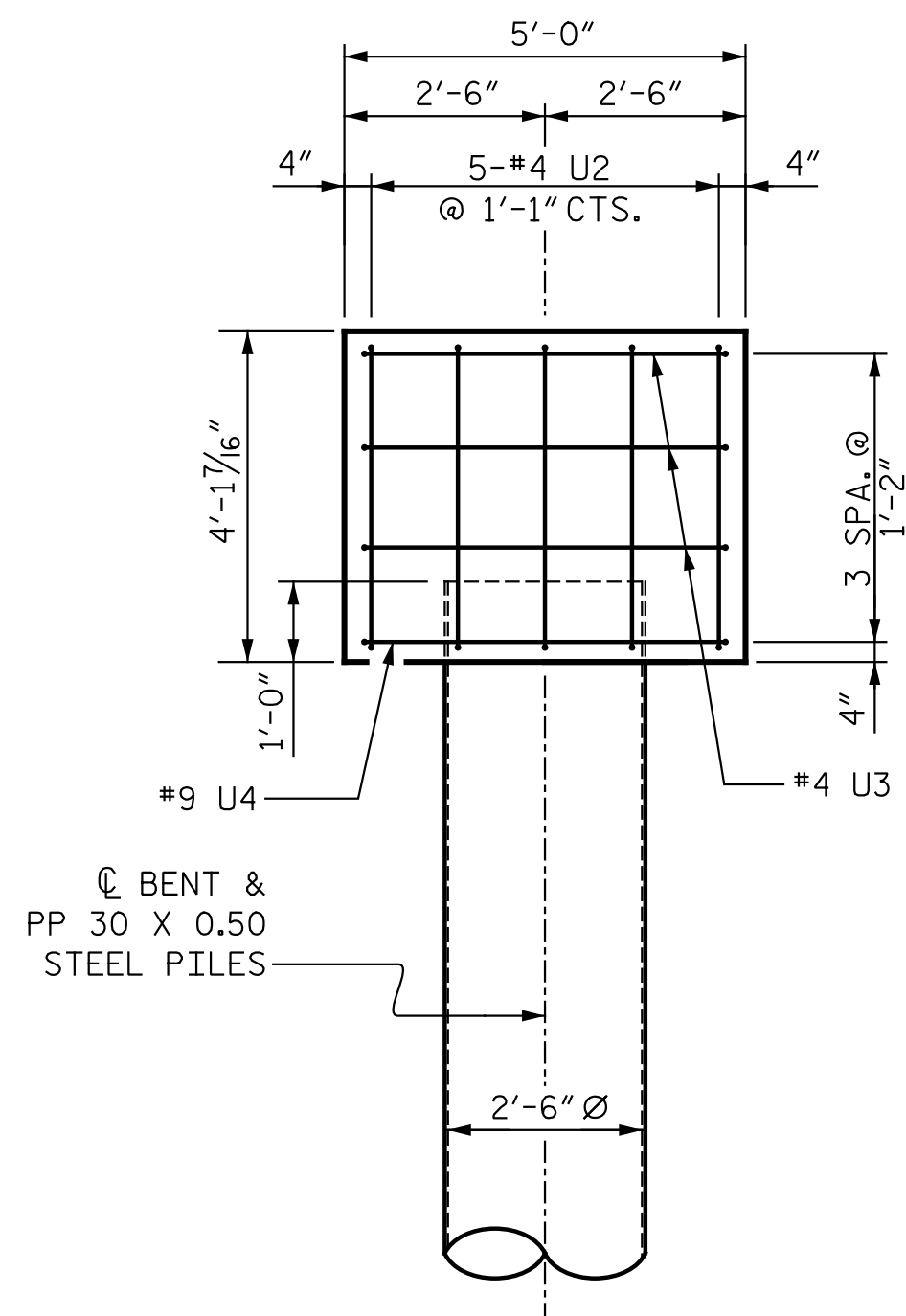


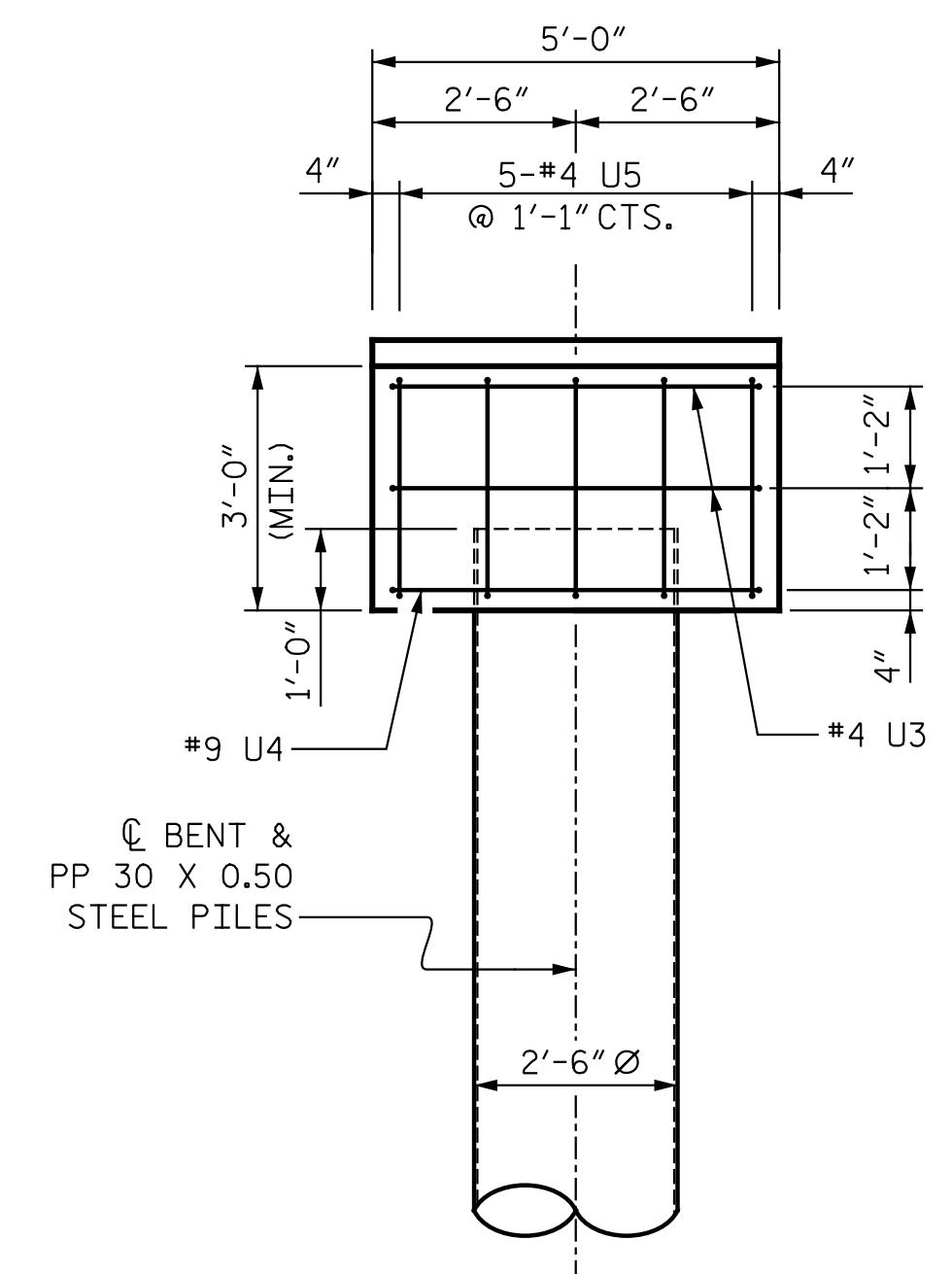
SECTION A-A



SECTION B-B

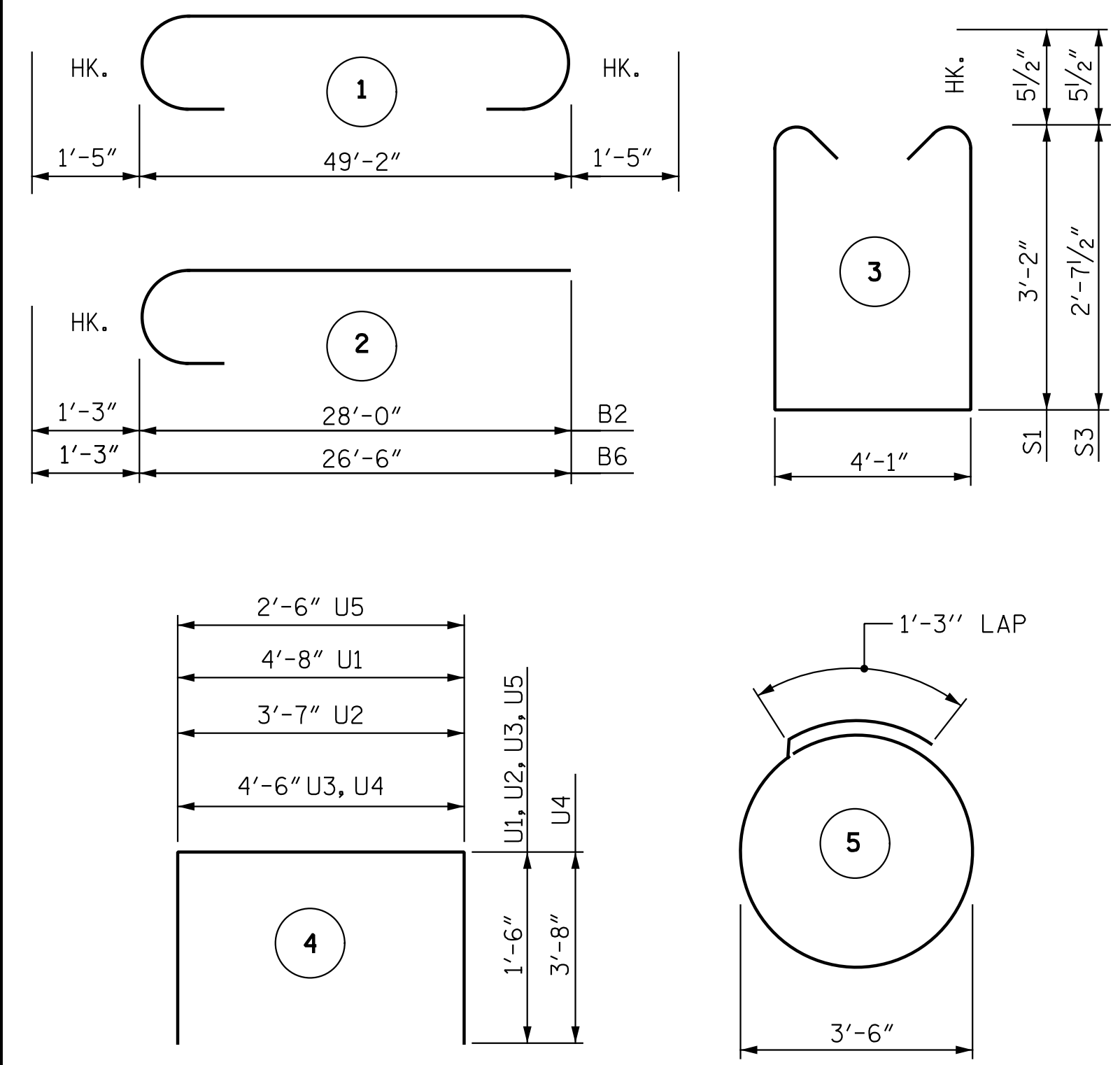


LEFT END ELEVATION



RIGHT END ELEVATION

BAR TYPES



ALL BAR DIMENSIONS ARE OUT TO OUT.

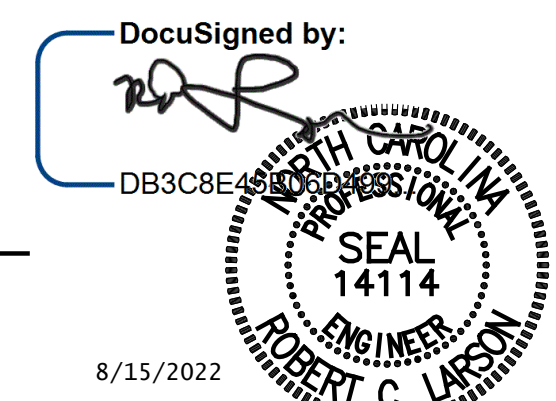
BILL OF MATERIAL

BENT 1

BAR	NO.	SIZE	TYPE	LENGTH	WEIGHT
B1	6	10	1	52'-0"	1343
B2	6	9	2	29'-3"	597
B3	14	4	STR.	4'-8"	44
B4	4	6	STR.	49'-2"	295
B5	14	4	STR.	25'-10"	242
B6	6	9	2	27'-9"	566
B7	10	6	STR.	6'-2"	93
B8	12	4	STR.	12'-0"	96
B9	6	4	STR.	4'-2"	17
B10	2	6	STR.	24'-9"	74
S1	44	5	3	11'-4"	520
S2	12	4	5	12'-3"	98
S3	34	5	3	10'-3"	363
U1	47	4	4	7'-8"	241
U2	5	4	4	6'-7"	22
U3	5	4	4	7'-6"	25
U4	2	9	4	11'-10"	80
U5	5	4	4	5'-6"	18
REINFORCING STEEL, LBS.					4734
CLASS A CONCRETE, CU. YD.					30.8
PP 30 X 0.50 GALVANIZED STEEL PILES					
NO.					6
LIN. FT.					480
PILE DRIVING EQUIPMENT SETUP FOR PP 30 X 0.50 GALVANIZED STEEL PILES, EA.					6
PILE REDRIVES, EA.					3
(NOTE: PILE HEADS HAVE BEEN DEDUCTED FROM CLASS A CONCRETE)					

\$FILEL\$ \$DATE\$ \$TIME\$ \$USER\$ \$PENTDRVS\$ \$PLTDORVS\$ \$PENITBLS\$ \$PLTDORVS\$ \$USER\$ \$TIME\$ \$DATE\$ \$PROJECT NO. 241704391.04

DESIGN ENGINEER OF RECORD	DATE	8/15/2022
DRAWN BY: A. K. ALLANKI	DATE	07/15/20
CHECKED BY: R. C. LARSON	DATE	07/17/20



PROJECT NO. R-256ICA  
COLUMBUS COUNTY  
 STATION: 71+06.00 -L-

SHEET 2 OF 2

STATE OF NORTH CAROLINA  
DEPARTMENT OF TRANSPORTATION  
RALEIGH

**SUBSTRUCTURE  
BENT 1  
RIGHT LANE**

REVISIONS					
NO.	BY:	DATE:	NO.	BY:	DATE:
1			3		
2			4		

SHEET NO. S4-22  
TOTAL SHEETS 29

**DOCUMENT NOT CONSIDERED FINAL  
UNLESS ALL SIGNATURES COMPLETED**

