

0.6" Ø L. R. GRADE 270 STRANDS

AREA (SQUARE INCHES)	ULTIMATE STRENGTH (LBS. PER STRAND)	APPLIED PRESTRESS (LBS. PER STRAND)
0.217	58,600	43,950

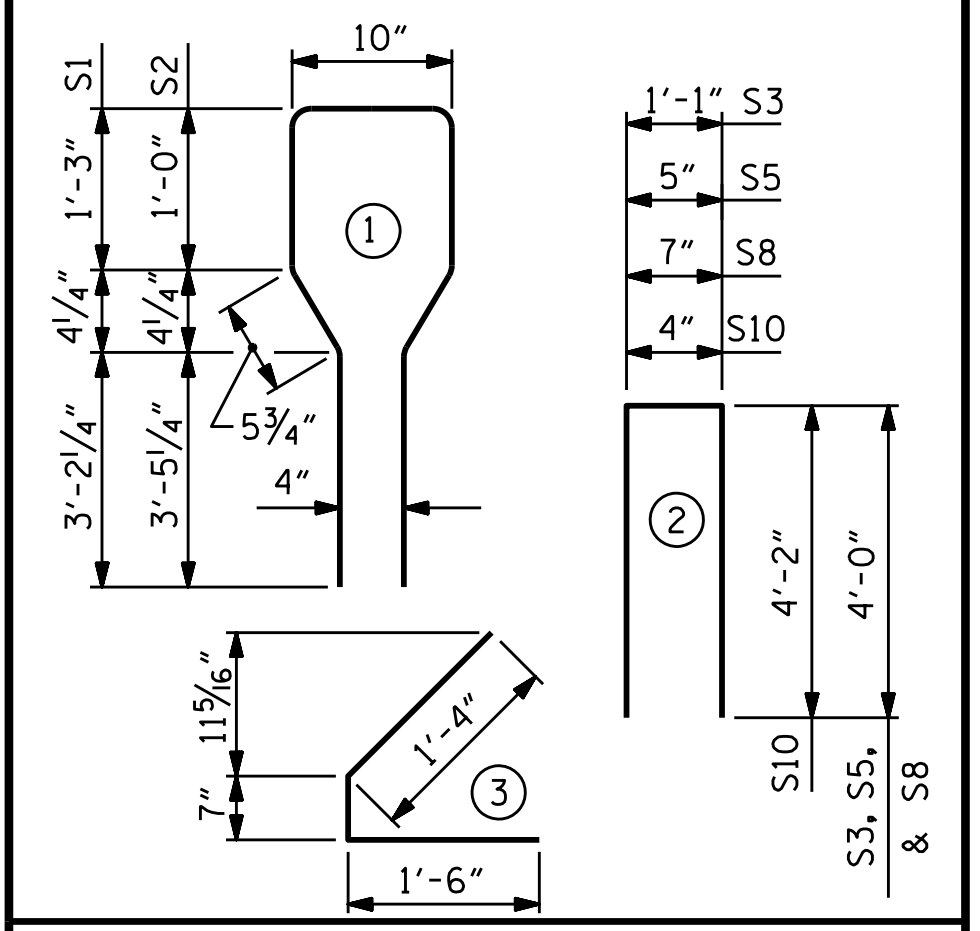
REINFORCING STEEL FOR ONE GIRDER

BAR	NUMBER	SIZE	TYPE	LENGTH	WEIGHT
S1	54	#4	1	10'-8"	385
S2	12	#6	1	10'-8"	192
S3	4	#4	2	9'-1"	24
S4	64	#4	3	3'-5"	146
S5	6	#4	2	8'-5"	34
*S7	18	#5	STR	3'-8"	69
S8	4	#4	2	8'-7"	23
S9	2	#3	STR	1'-10"	1
S10	2	#5	2	8'-8"	18
S11	5	#4	STR	7'-0"	23
S13	1	#3	STR	1'-4"	1

\* NOTE: S7 BARS SHALL BE BENT BEFORE SHIPMENT. HEAT BENDING SHALL NOT BE ALLOWED.

BAR TYPES

ALL BAR DIMENSIONS ARE OUT-TO-OUT



QUANTITIES FOR ONE GIRDER

REINFORCING STEEL	5000 PSI CONCRETE		0.6" Ø L. R. STRANDS
	LB.	C.Y.	No.
	916	10.7	14

GIRDERS REQUIRED

NUMBER	LENGTH	TOTAL LENGTH
5	52'-11"	264'-7"

PROJECT NO. R-2561CA

COLUMBUS COUNTY

STATION: 71+06.00 -L-

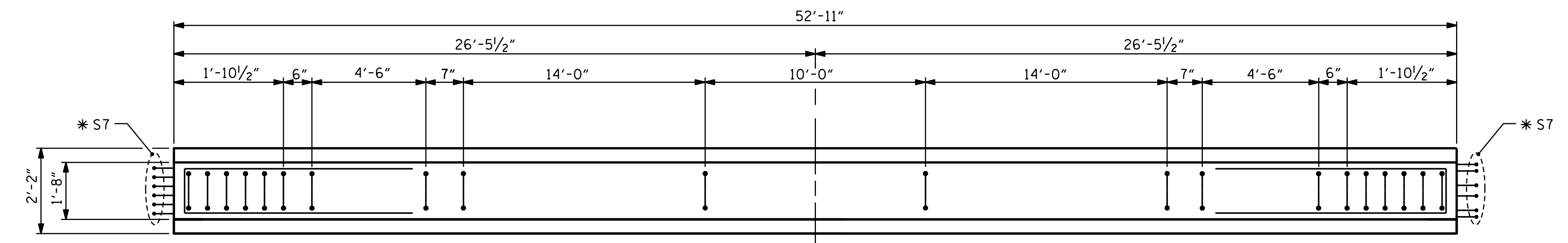
SHEET 1 OF 3

STATE OF NORTH CAROLINA  
DEPARTMENT OF TRANSPORTATION  
RALEIGH

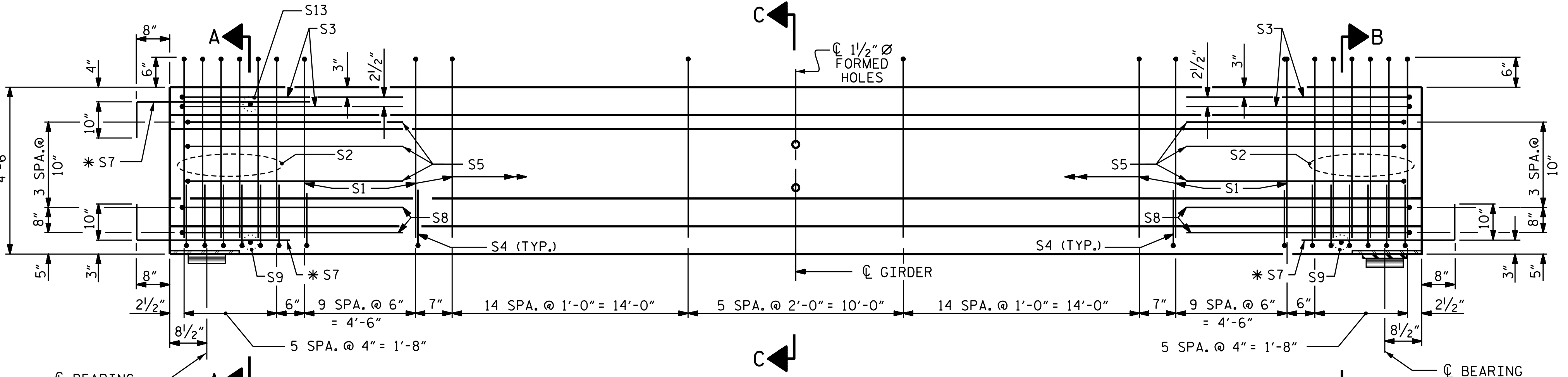
STANDARD AASHTO TYPE IV  
PRESTRESSED CONCRETE GIRDER  
CONTINUOUS FOR LIVE LOAD  
SPAN A  
RIGHT LANE

DocuSigned by:  
[Signature]  
DB3C8E45B06D4999  
8/15/2022

SEAL 14114  
ENGINEER  
ROBERT C. LARSON

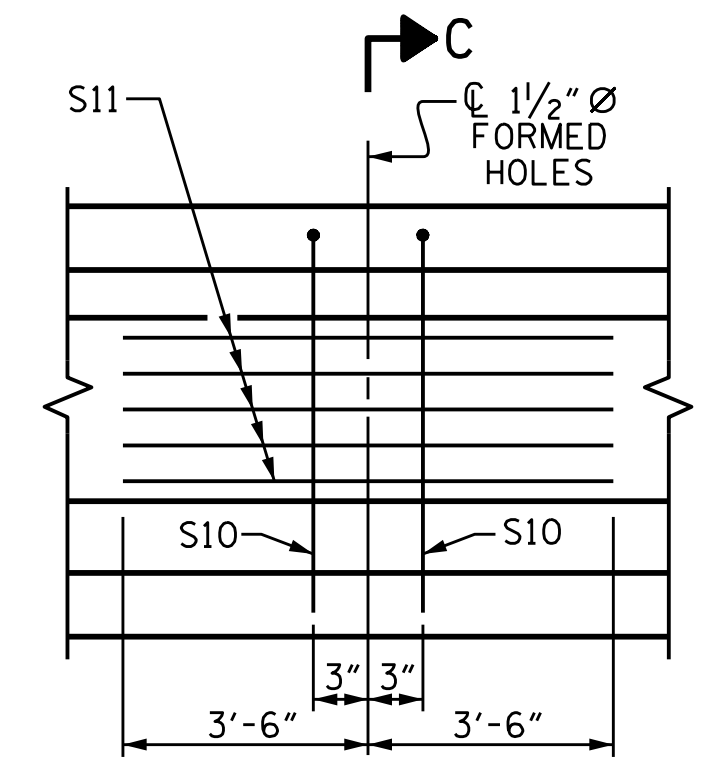


PLAN OF GIRDER



ELEVATION OF GIRDER

(SEE PARTIAL ELEVATION FOR ADDITIONAL "S" BARS)



PARTIAL ELEVATION

SHOWING INTERMEDIATE DIAPHRAGM REINFORCING STEEL FOR ALL GIRDERS

DESIGN ENGINEER OF RECORD:	DATE:	8/15/2022
ASSEMBLED BY: A. K. ALLANKI	DATE:	08/15/19
CHECKED BY: R. C. LARSON	DATE:	04/23/20
DRAWN BY: ELR 8/91	MAA/GM	
CHECKED BY: GRP 8/91	REV. 1/15	MAA/TMG
	REV. 12/17	MAA/THC

DOCUMENT NOT CONSIDERED FINAL  
UNLESS ALL SIGNATURES COMPLETED

ENGINEERS & PLANNERS & SCIENTISTS & CONSTRUCTION MANAGERS LICENSE NUMBER: C-0764  
**KCI Associates**  
of North Carolina, P.A.  
450 Falls of Neuse Road, Suite 400, Raleigh, NC 27609-5270 Phone 919-783-9241

REVISIONS			SHEET NO. S4-10
NO.	BY:	DATE:	
1			TOTAL SHEETS 29
2			