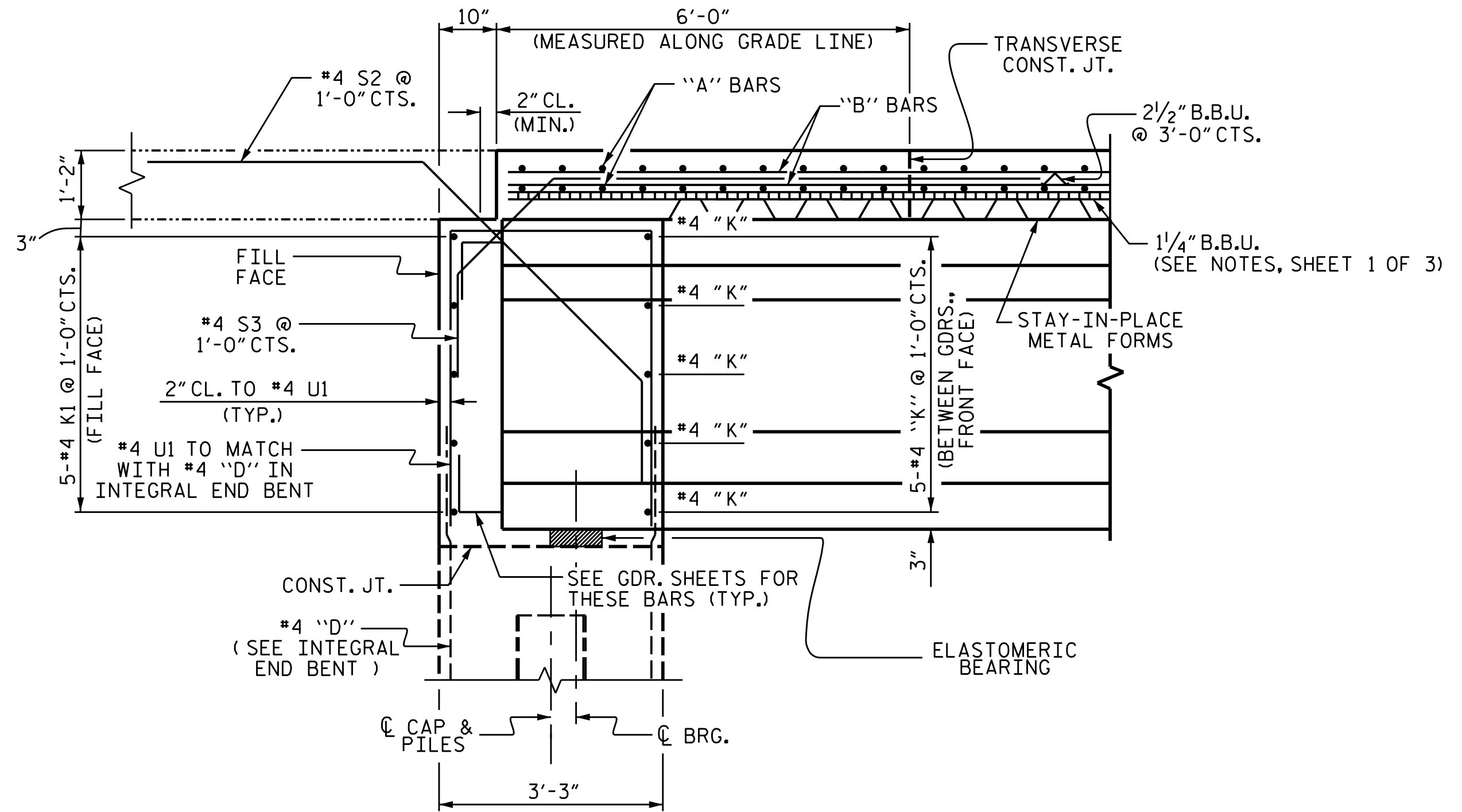
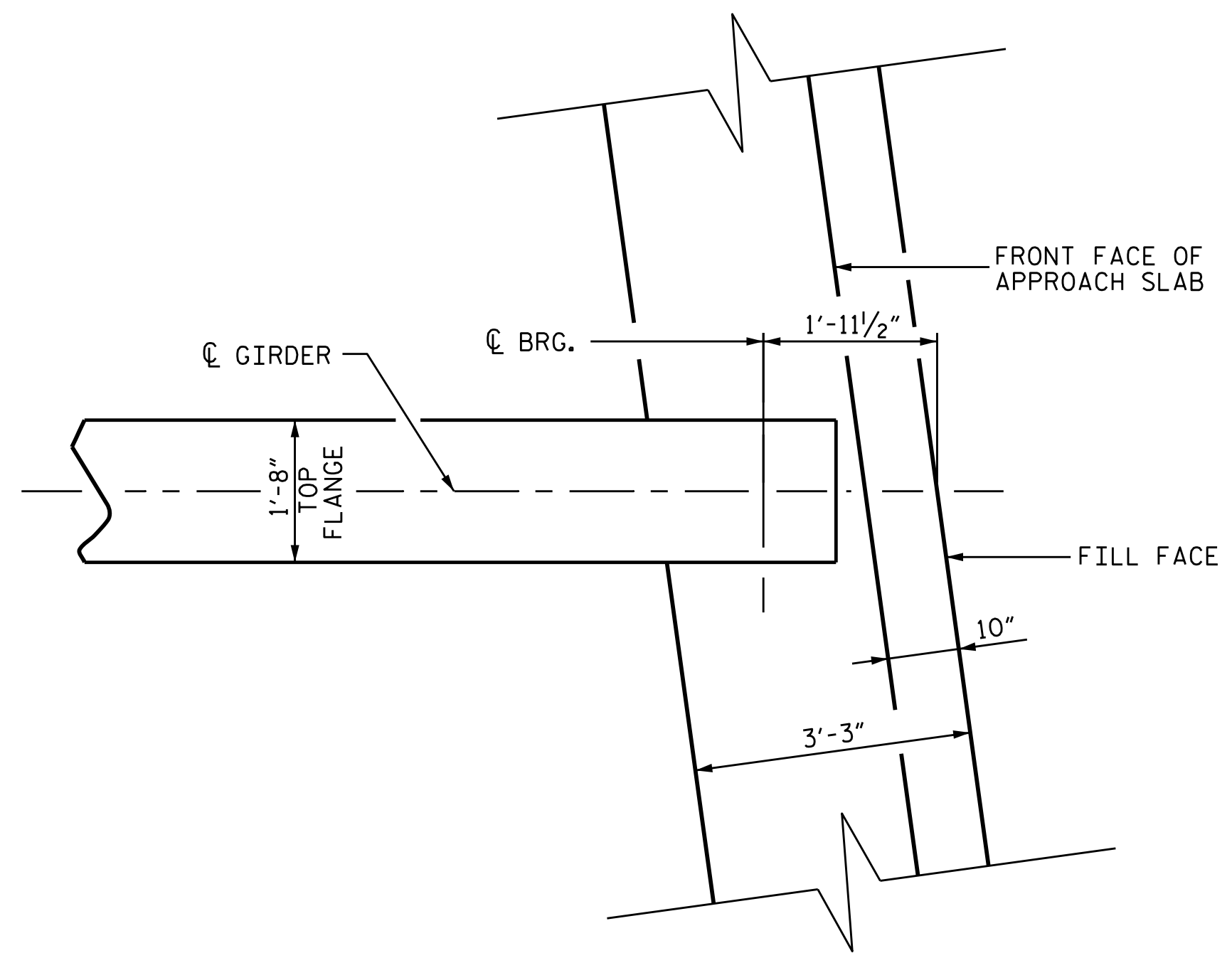


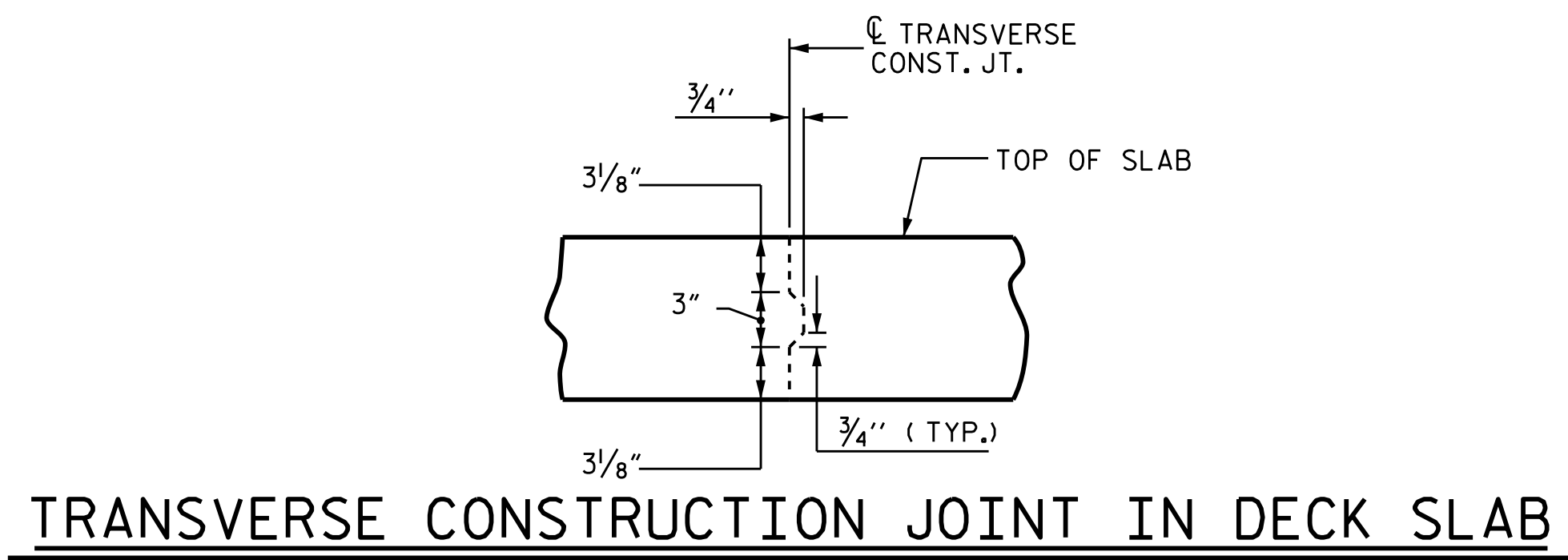
SECTION THRU BENT DIAPHRAGM



SECTION THRU INTEGRAL END BENT



PLAN OF GIRDER AT INTEGRAL END BENT



TRANSVERSE CONSTRUCTION JOINT IN DECK SLAB

NOTE: REINFORCING STEEL IN SLAB NOT SHOWN. LONGITUDINAL REINFORCING STEEL SHALL BE CONTINUOUS THRU JOINT

PROJECT NO. R-256ICA
COLUMBUS COUNTY
 STATION: 71+06.00 -L-

SHEET 3 OF 3

STATE OF NORTH CAROLINA
 DEPARTMENT OF TRANSPORTATION
 RALEIGH

SUPERSTRUCTURE TYPICAL SECTION

RIGHT LANE

DocuSigned by:

 DB3C8E45B06D490
 8/15/2022

DESIGN ENGINEER OF RECORD:	DATE:
	8/15/2022
DRAWN BY:	DATE:
A. K. ALLANKI	08/13/19
CHECKED BY:	DATE:
R. C. LARSON	06/29/20

DOCUMENT NOT CONSIDERED FINAL UNLESS ALL SIGNATURES COMPLETED

KCI Associates
 of North Carolina, P.A.
 4505 Falls of Neuse Road, Suite 400 Raleigh, NC 27609-6270 Phone 199-785-924

REVISIONS		SHEET NO.	
NO.	DATE:	NO.	DATE:
1		3	
2		4	

TOTAL SHEETS: 29

\$FILEL\$ \$DATES\$ \$TIME\$ \$USERS\$ \$PENTBLS\$ \$PLTDVRS\$
 KCI PROJECT NO. 241704391.04