

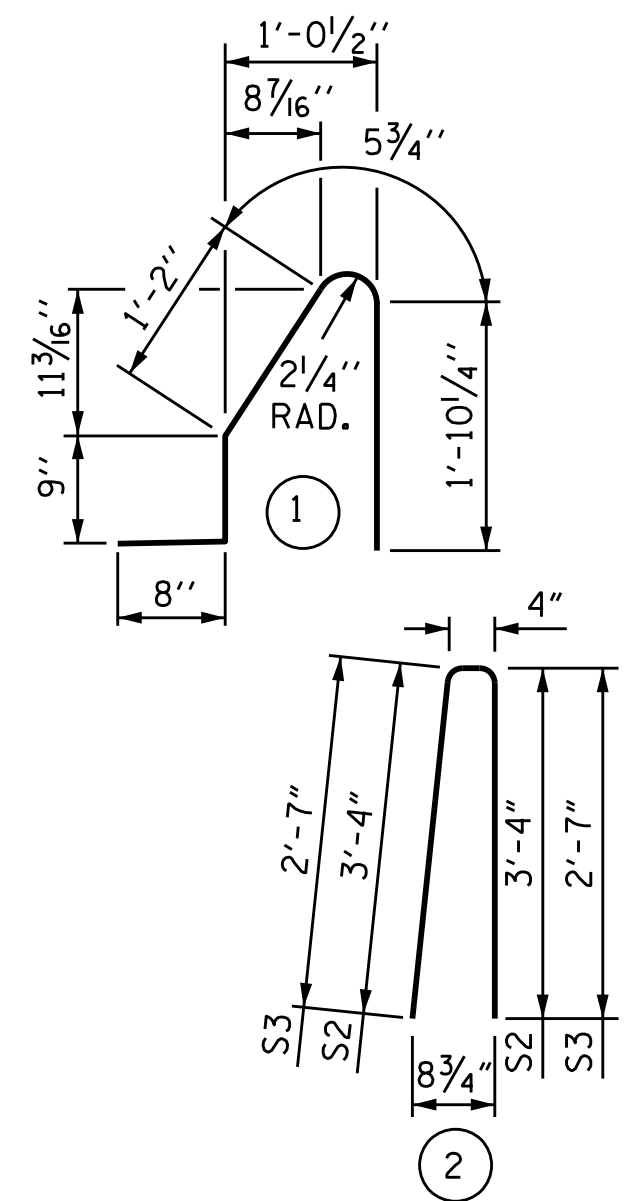
**NOTES**

THE BARRIER RAIL IN EACH SPAN SHALL NOT BE CAST UNTIL ALL SLAB CONCRETE IN THAT SPAN HAS BEEN CAST AND HAS REACHED A MINIMUM COMPRESSIVE STRENGTH OF 3,000 PSI.

ALL REINFORCING STEEL IN BARRIER RAILS SHALL BE EPOXY COATED.

GROOVED CONTRACTION JOINTS, 1/2" IN DEPTH, SHALL BE TOOLED IN ALL EXPOSED FACES OF THE BARRIER RAIL AND IN ACCORDANCE WITH ARTICLE 825-10(B) OF THE STANDARD SPECIFICATIONS. THE CONTRACTION JOINT SHALL BE LOCATED AT EACH THIRD POINT BETWEEN BARRIER RAIL EXPANSION JOINTS. ONLY ONE CONTRACTION JOINT IS REQUIRED AT MIDPOINT OF BARRIER RAIL SEGMENTS LESS THAN 20 FEET IN LENGTH AND NO CONTRACTION JOINTS ARE REQUIRED FOR THOSE SEGMENTS LESS THAN 10 FEET IN LENGTH.

**BAR TYPES**



ALL BAR DIMENSIONS ARE OUT TO OUT

**BILL OF MATERIAL**

FOR CONCRETE BARRIER RAIL ONLY

BAR	NO.	SIZE	TYPE	LENGTH	WEIGHT
* S1	539	#5	1	4'-11"	2764
* S2	531	#5	2	7'-0"	3877
* S3	8	#5	2	5'-6"	46
* B1	44	#5	STR	15'-2"	696
* B2	44	#5	STR	25'-8"	1178
* B3	132	#5	STR	23'-8"	3258
* B4	22	#5	STR	22'-3"	511
* B5	44	#5	STR	12'-11"	593

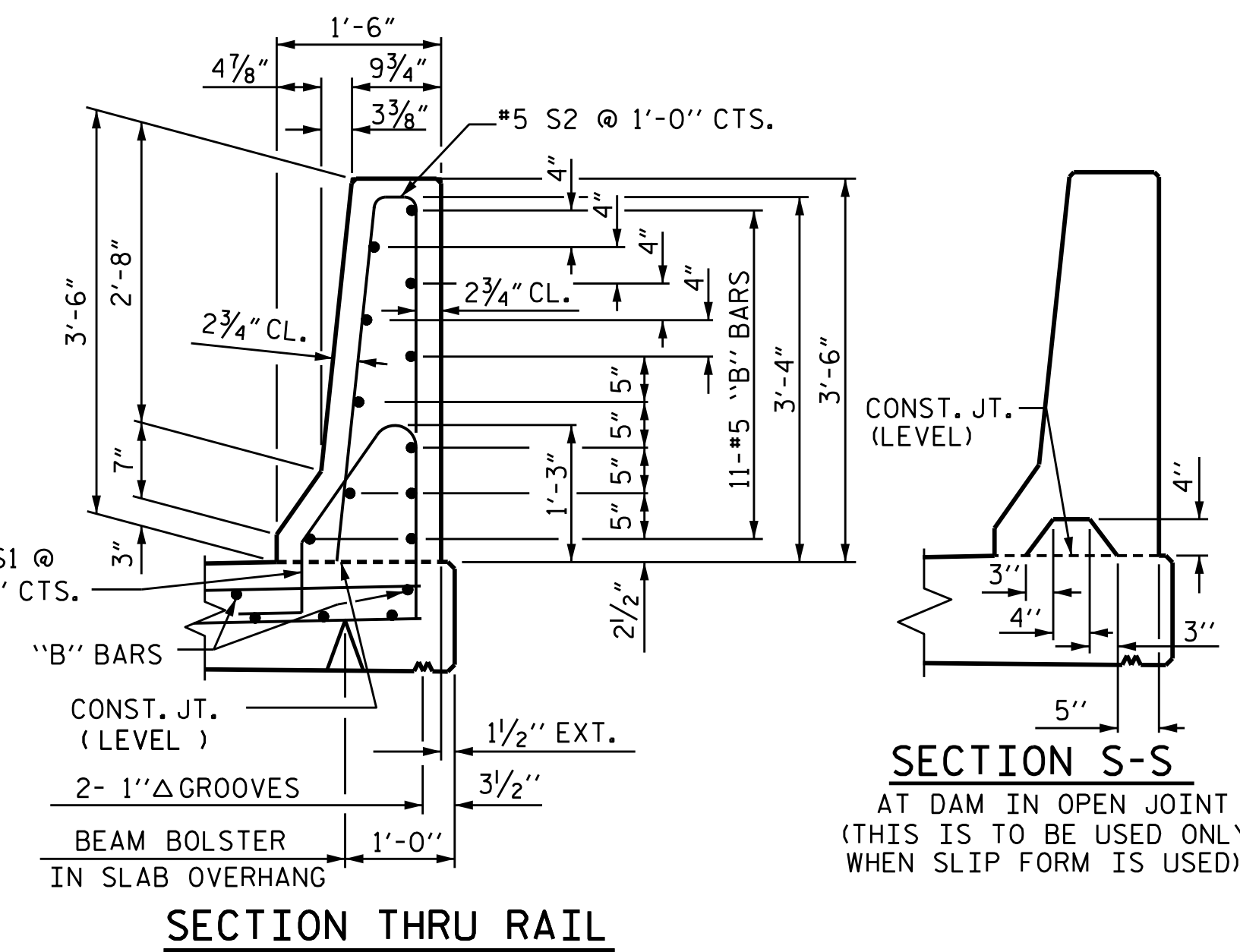
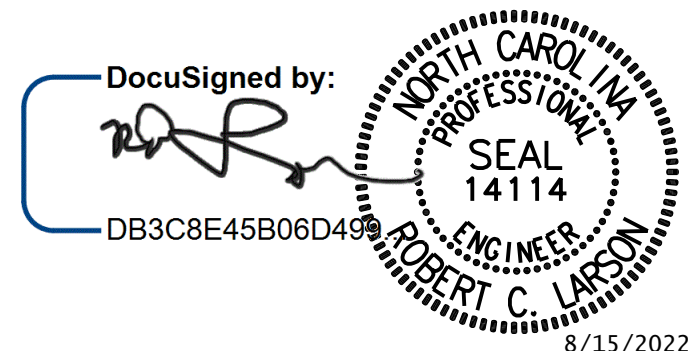
* EPOXY COATED REINFORCING STEEL	12,923 LBS.
CLASS AA CONCRETE	72.9 CU. YDS.
CONCRETE BARRIER RAIL	536.54 LIN. FT.

PROJECT NO. R-2561CA  
 COLUMBUS COUNTY  
 STATION: 70+34.00 -L-

STATE OF NORTH CAROLINA  
 DEPARTMENT OF TRANSPORTATION  
 RALEIGH  
 STANDARD  
 CONCRETE  
 BARRIER RAIL

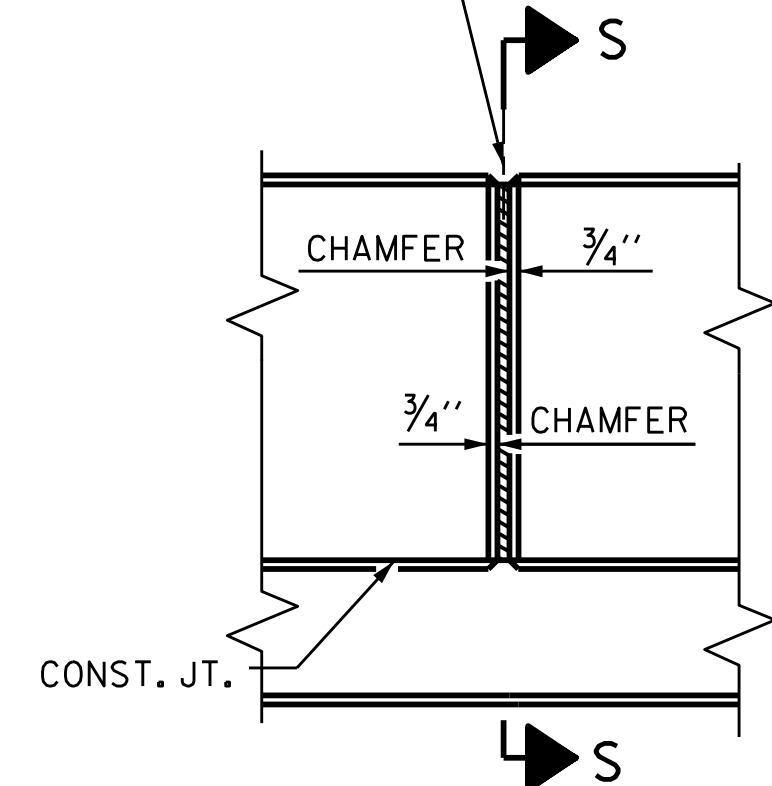
LEFT LANE

REVISIONS						SHEET NO.
NO.	BY:	DATE:	NO.	BY:	DATE:	S3-16
1			3			TOTAL SHEETS
2			4			30

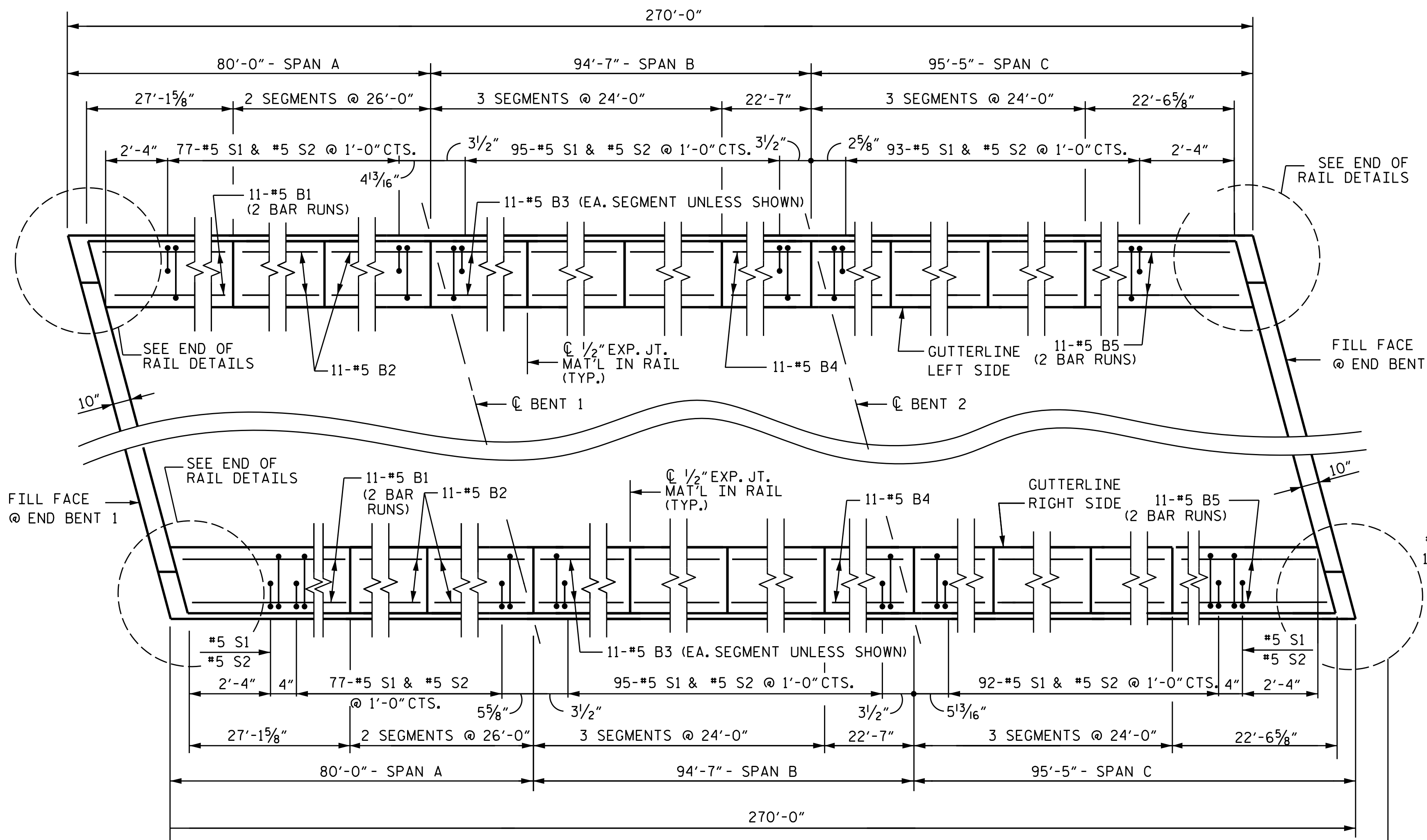


**SECTION THRU RAIL**

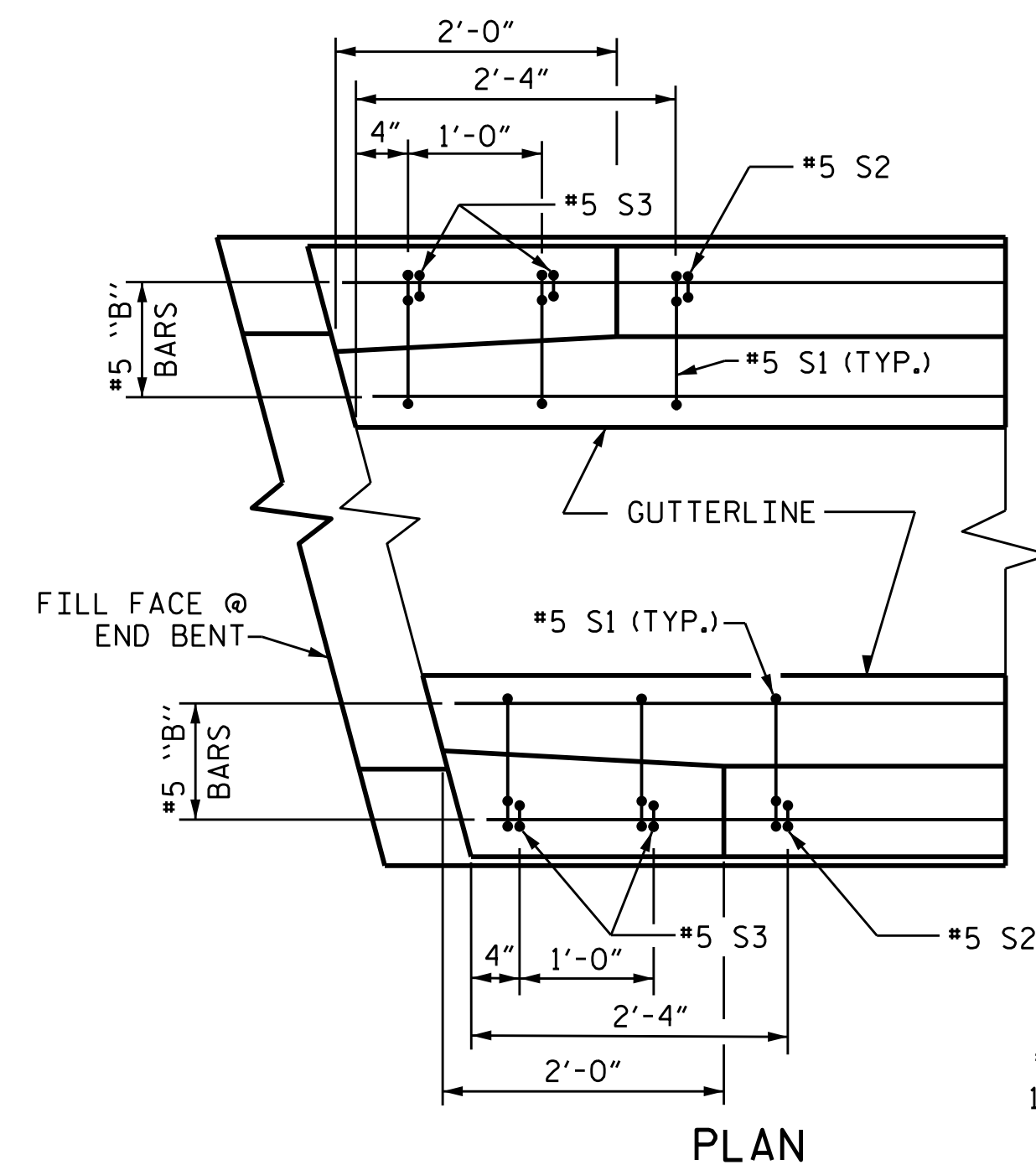
1/2" EXP. JT. MAT'L HELD IN PLACE WITH GALVANIZED NAILS.  
 (NOTE: OMIT EXP. JT. MAT'L. WHEN SLIP FORM IS USED.)



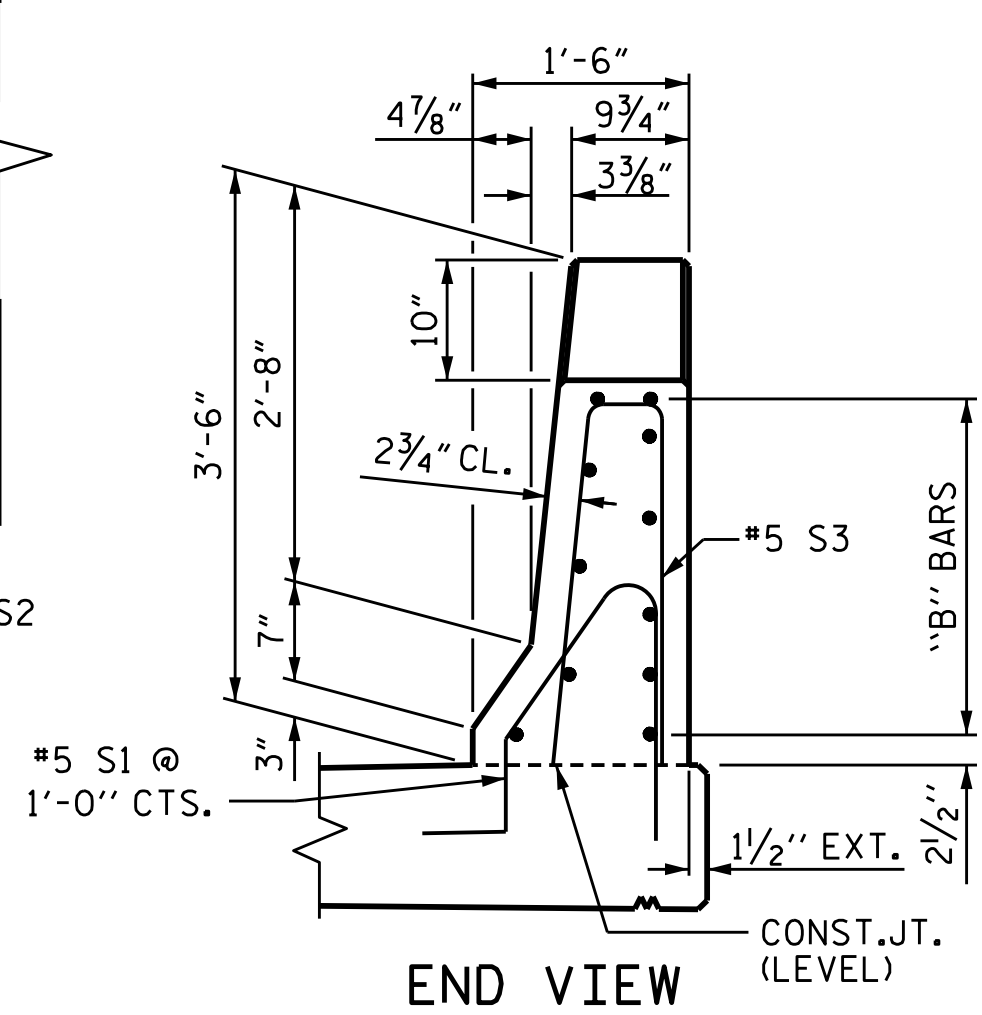
**ELEVATION AT EXPANSION JOINTS  
 BARRIER RAIL DETAILS**



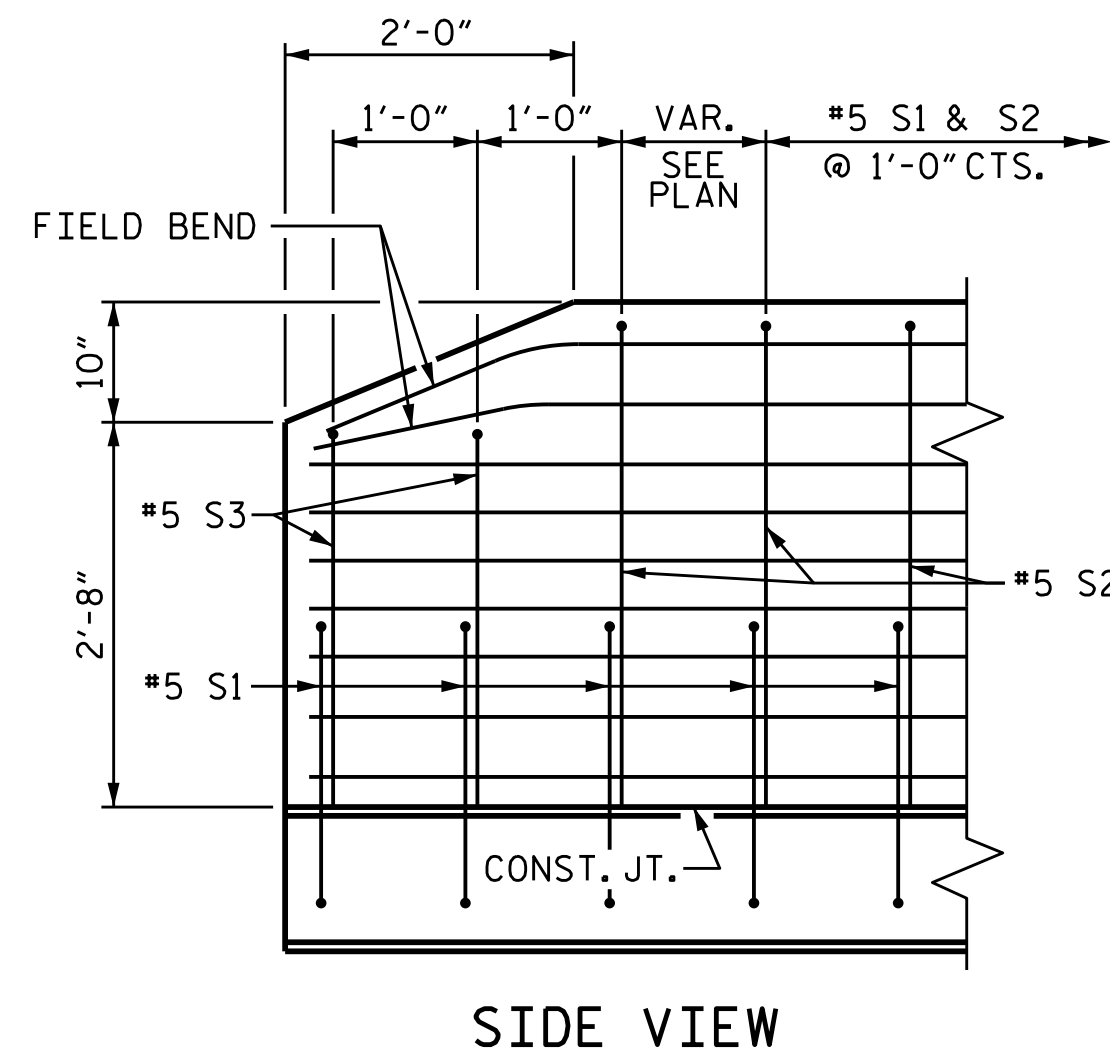
**PLAN**



**PLAN**



**END VIEW**



**SIDE VIEW**

**END OF RAIL DETAILS**

DESIGN ENGINEER OF RECORD: [Signature]	DATE: 8/15/2022
ASSEMBLED BY: A. K. ALLANK	DATE: 08/23/19
CHECKED BY: R. C. LARSON	DATE: 06/17/20
DRAWN BY: ARB 5/87	REV. 7/12 MAA/GM
CHECKED BY: SJD 9/87	REV. 6/13 MAA/GM
	REV. 12/17 MAA/THC

**DOCUMENT NOT CONSIDERED FINAL  
 UNLESS ALL SIGNATURES COMPLETED**



\$FILEL\$ \$DATES\$ \$TIME\$ \$USERS\$ \$PLTDORVS\$ \$PENTBLBS\$ \$ARB\$ \$SJD\$ \$KCI PROJECT NO. 241704391.04\$