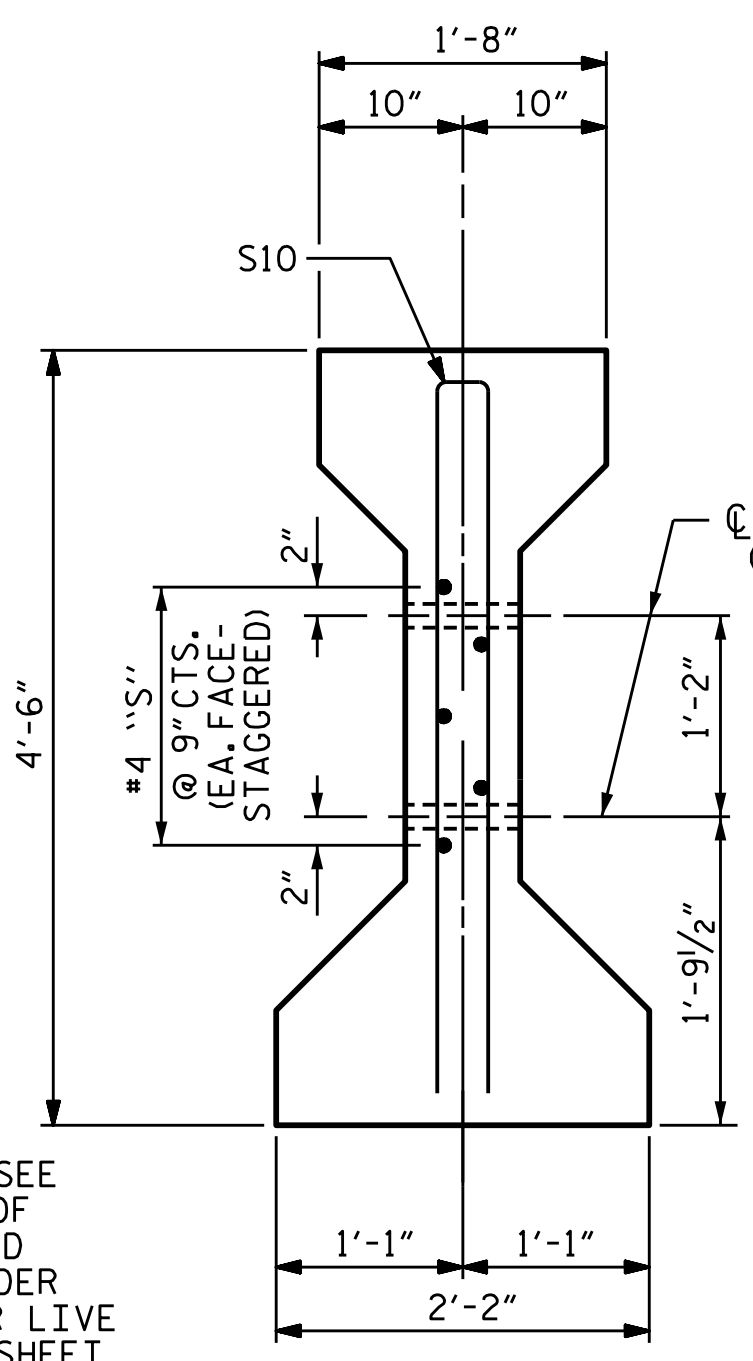
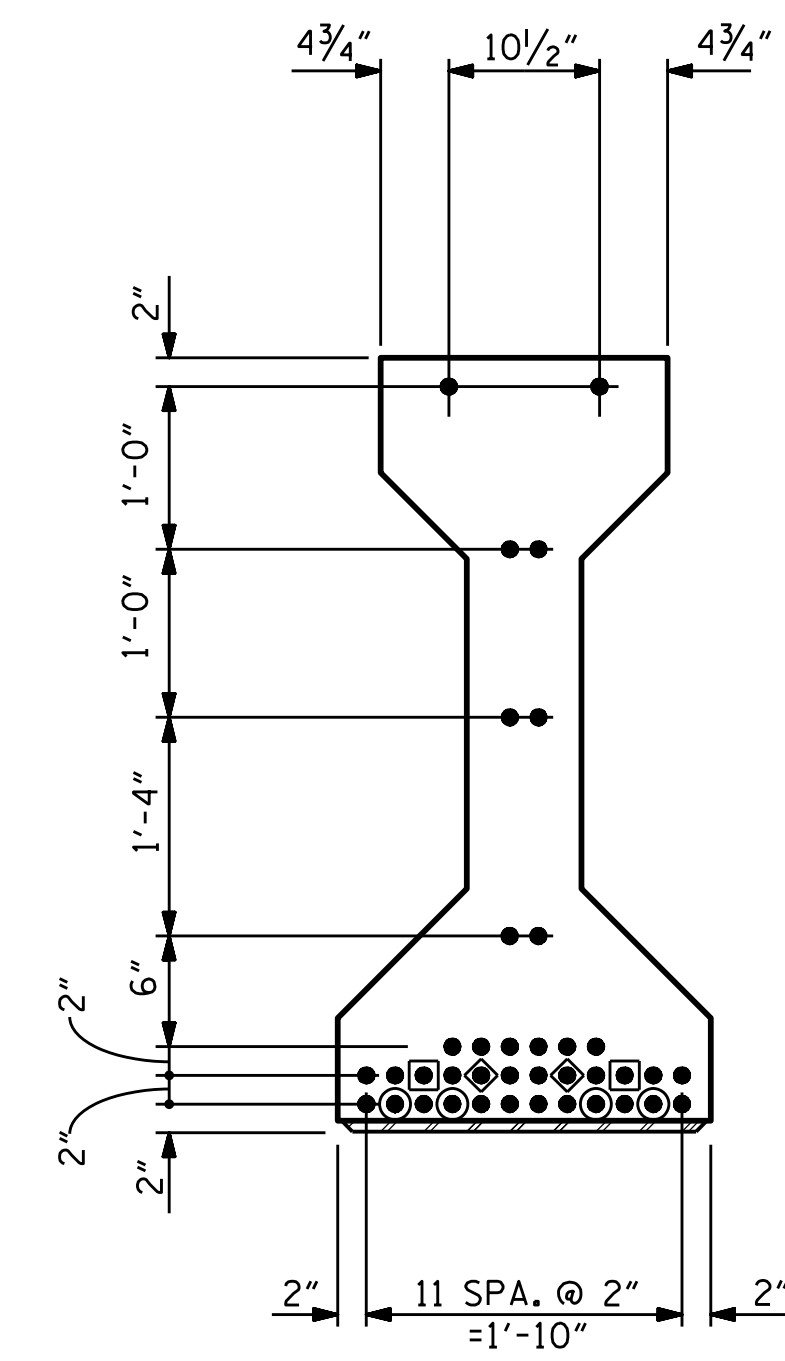


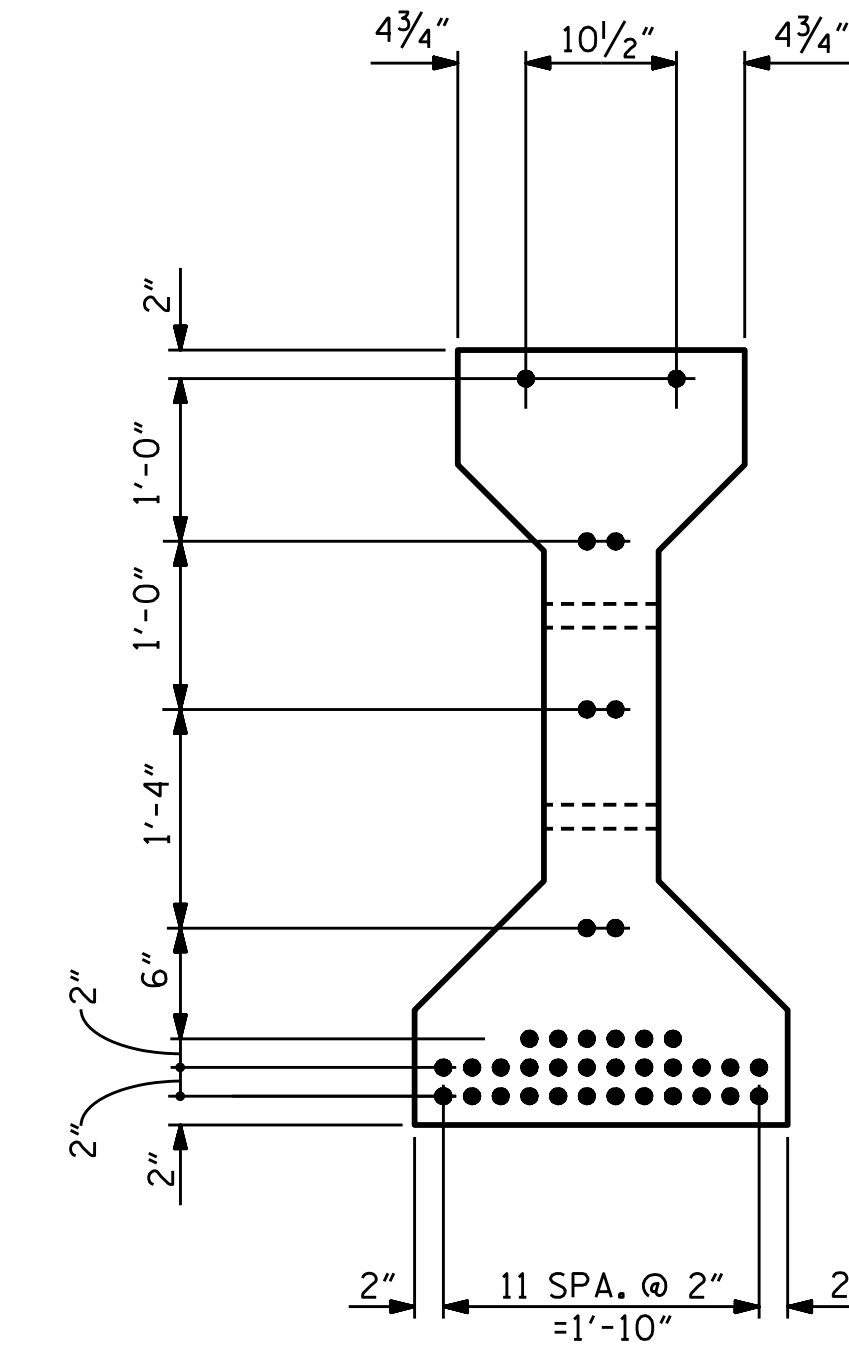
SECTION A-A



SECTION B-B  
(S1 BARS NOT SHOWN)

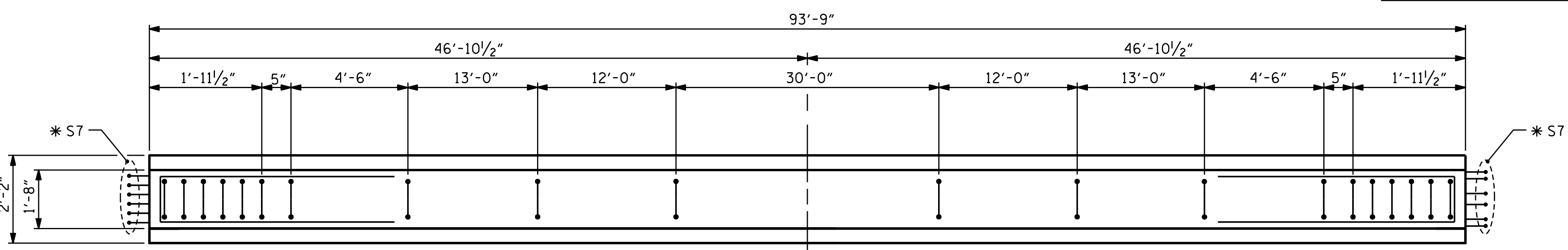


AT END OF GIRDER



AT C OF GIRDER

0.6" Ø LOW RELAXATION STRAND LAYOUT



PLAN OF GIRDER

- BOND SHALL BE BROKEN ON THESE STRANDS FOR A DISTANCE OF 4'-0" FROM END OF GIRDER. SEE STANDARD SPECIFICATIONS, ARTICLE 1078-7.
- BOND SHALL BE BROKEN ON THESE STRANDS FOR A DISTANCE OF 10'-0" FROM END OF GIRDER. SEE STANDARD SPECIFICATIONS, ARTICLE 1078-7.
- ◆ BOND SHALL BE BROKEN ON THESE STRANDS FOR A DISTANCE OF 18'-0" FROM END OF GIRDER. SEE STANDARD SPECIFICATIONS, ARTICLE 1078-7.

DEBONDING LEGEND

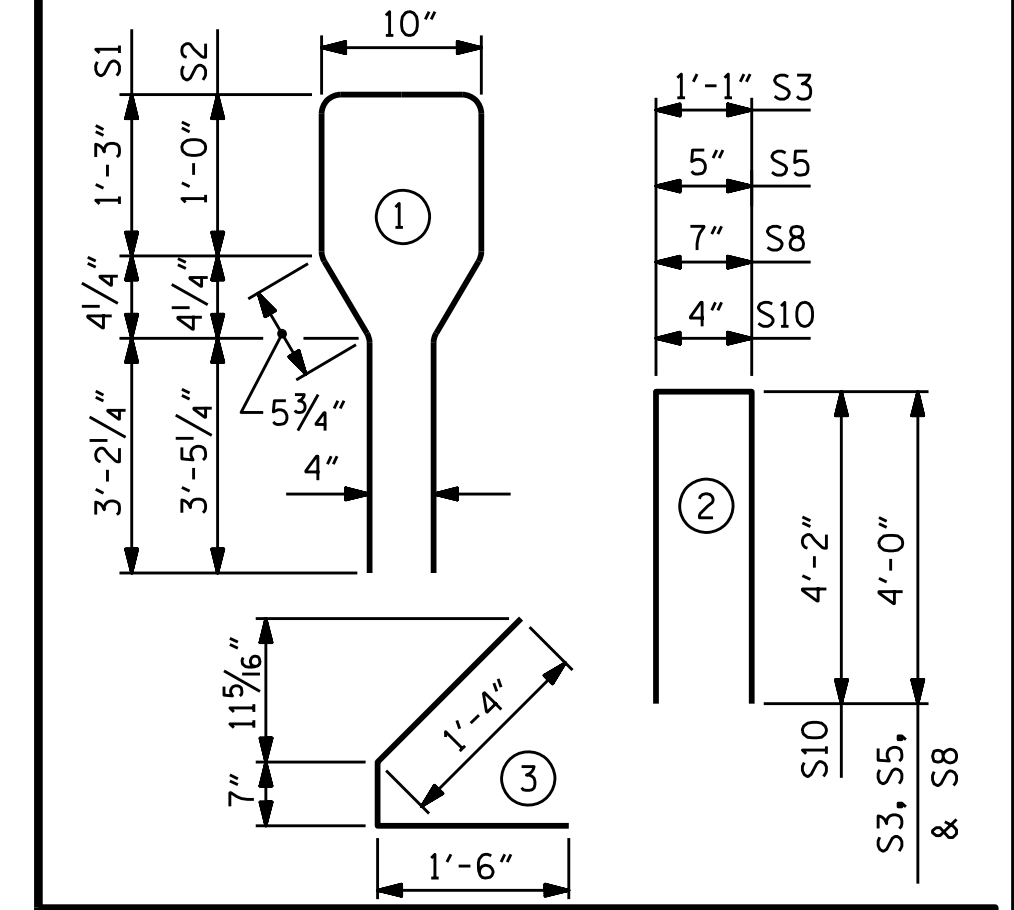
0.6" Ø L. R. GRADE 270 STRANDS		
AREA (SQUARE INCHES)	ULTIMATE STRENGTH (LBS. PER STRAND)	APPLIED PRESTRESS (LBS. PER STRAND)
0.217	58,600	43,950

REINFORCING STEEL FOR ONE GIRDER						
BAR	NUMBER	SIZE	TYPE	LENGTH	WEIGHT	
S1	76	#4	1	10'-8"	542	
S2	14	#6	1	10'-8"	224	
S3	4	#4	2	9'-1"	24	
S4	68	#4	3	3'-5"	155	
S5	6	#4	2	8'-5"	34	
*S7	12	#5	STR	3'-8"	46	
S8	4	#4	2	8'-7"	23	
S9	2	#3	STR	1'-10"	1	
S10	2	#5	2	8'-8"	18	
S11	5	#4	STR	7'-0"	23	

\* NOTE: S7 BARS SHALL BE BENT BEFORE SHIPMENT. HEAT BENDING SHALL NOT BE ALLOWED.

BAR TYPES

ALL BAR DIMENSIONS ARE OUT-TO-OUT



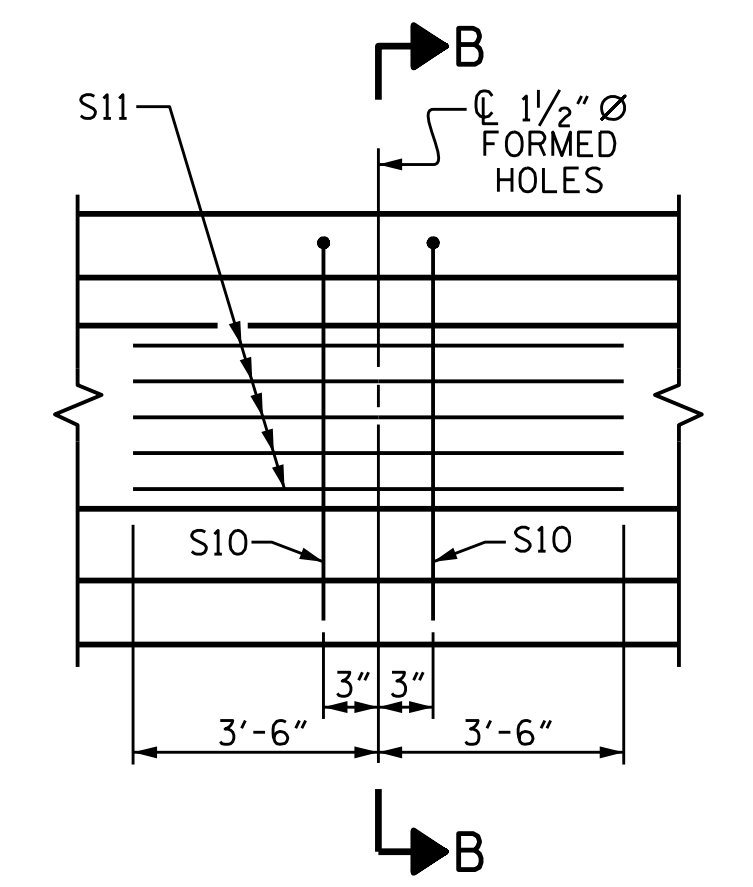
QUANTITIES FOR ONE GIRDER			
	REINFORCING STEEL LB.	6500 PST CONCRETE C.Y.	0.6" Ø L. R. STRANDS No.
	1090	19.0	38

GIRDERS REQUIRED		
NUMBER	LENGTH	TOTAL LENGTH
4	93'-9"	375'-0"

PROJECT NO. R-2561CA  
COLUMBUS COUNTY  
STATION: 70+34.00 -L-

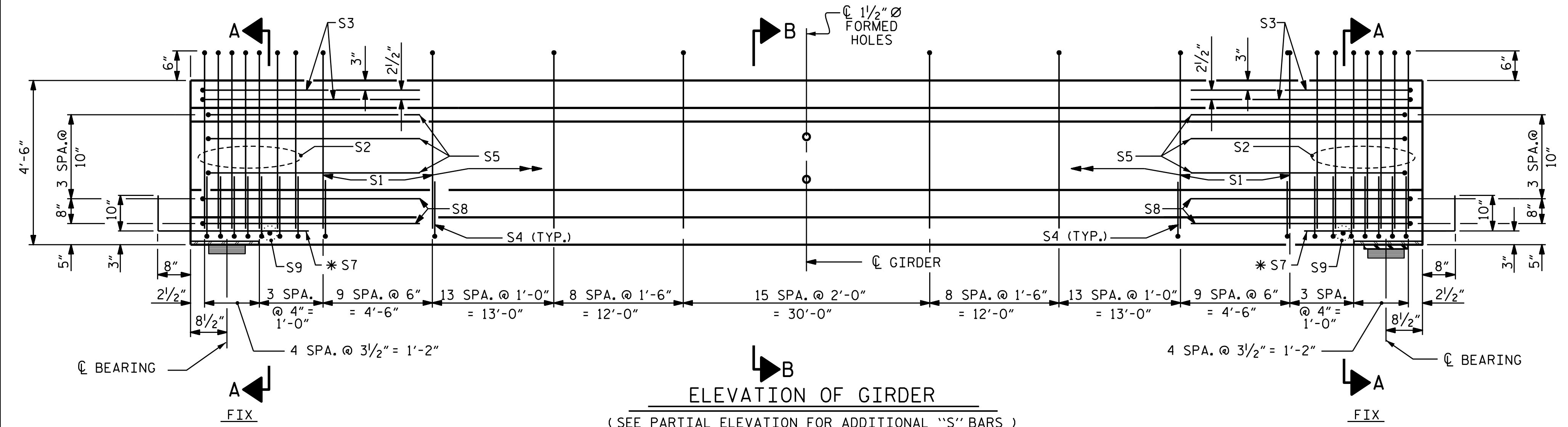
SHEET 2 OF 4

STATE OF NORTH CAROLINA  
DEPARTMENT OF TRANSPORTATION  
RALEIGH  
STANDARD  
AASHTO TYPE IV  
PRESTRESSED CONCRETE GIRDER  
CONTINUOUS FOR LIVE LOAD  
SPAN B  
LEFT LANE



PARTIAL ELEVATION

SHOWING INTERMEDIATE DIAPHRAGM REINFORCING STEEL FOR ALL GIRDERS



ELEVATION OF GIRDER

(SEE PARTIAL ELEVATION FOR ADDITIONAL "S" BARS)

DESIGN ENGINEER OF RECORD:	DATE: 8/15/2022
ASSEMBLED BY: A. K. ALLANKI	DATE: 08/22/19
CHECKED BY: R. C. LARSON	DATE: 04/23/20
DRAWN BY: ELR 8/91	REV. 10/1/11 MAA/GM
CHECKED BY: GRP 8/91	REV. 1/15 MAA/TMG
	REV. 12/17 MAA/THC

DOCUMENT NOT CONSIDERED FINAL UNLESS ALL SIGNATURES COMPLETED

DocuSigned by:  
  
DB3C8E45B06D498  
8/15/2022

KCI Associates  
of North Carolina, P.A.  
2505 Falls of House Road, Suite 400 Raleigh, NC 27609-6270 Phone 919-785-5241

REVISIONS			
NO.	BY:	DATE:	NO.
1			3
2			4

STD. NO. PCG6 (Sht. 2)

\$FILED\$ \$TIME\$ \$USERS\$ \$PENTBL\$ \$PLTDVRS\$  
 \$DATES\$ \$PROJECT NO. 241704391.04\$