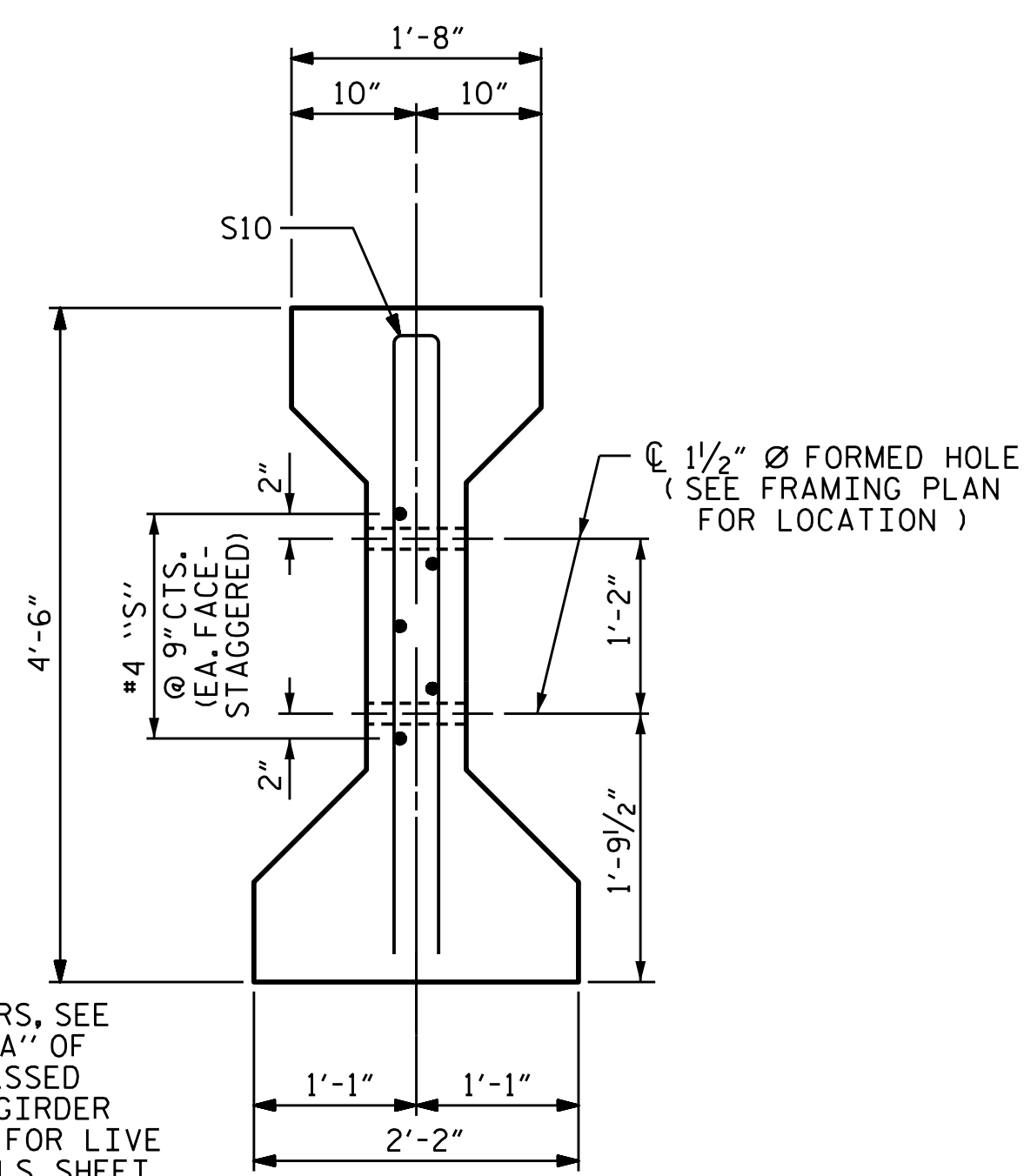


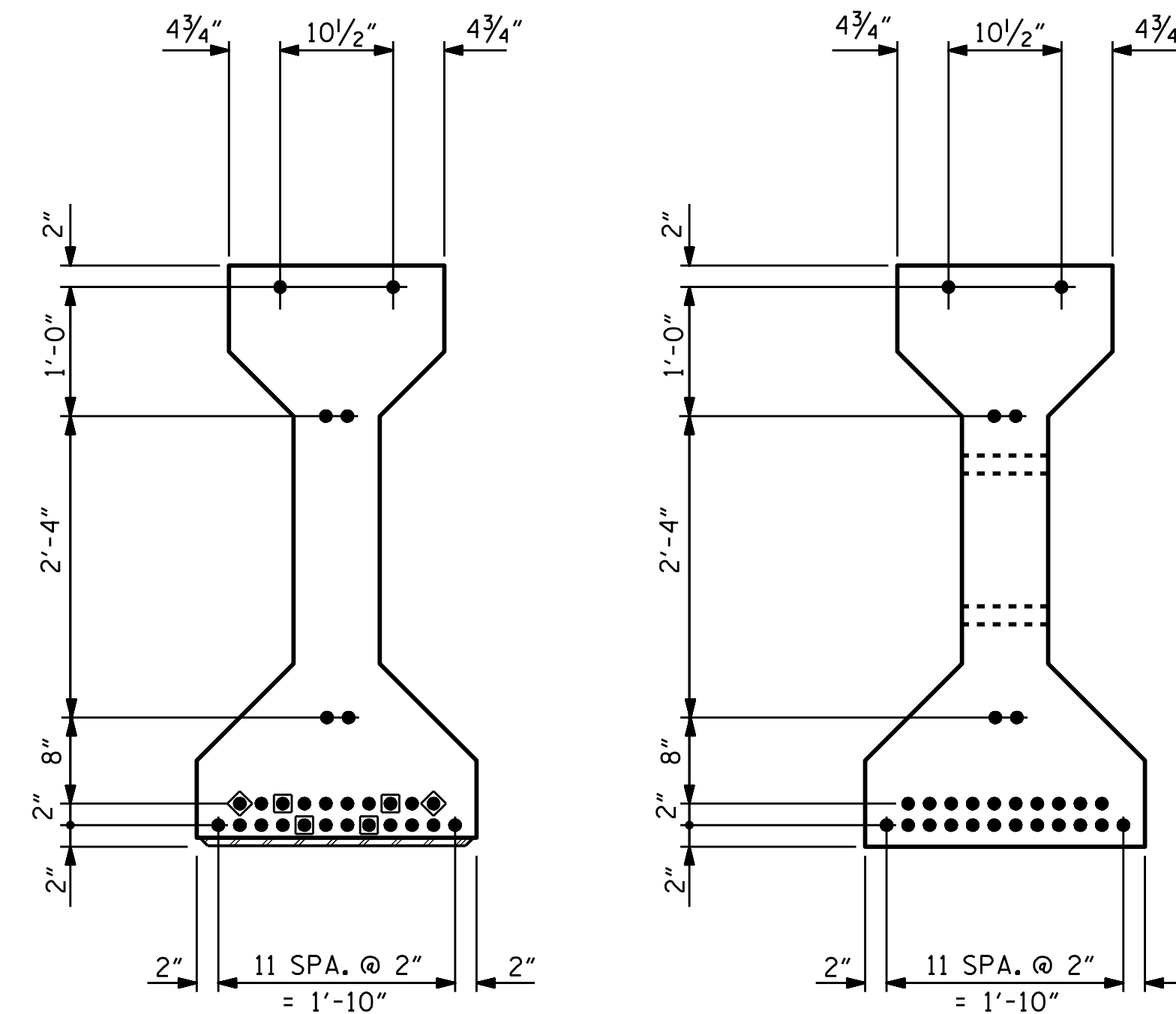
SECTION A-A

SECTION B-B



SECTION C-C
(S1 BARS NOT SHOWN)

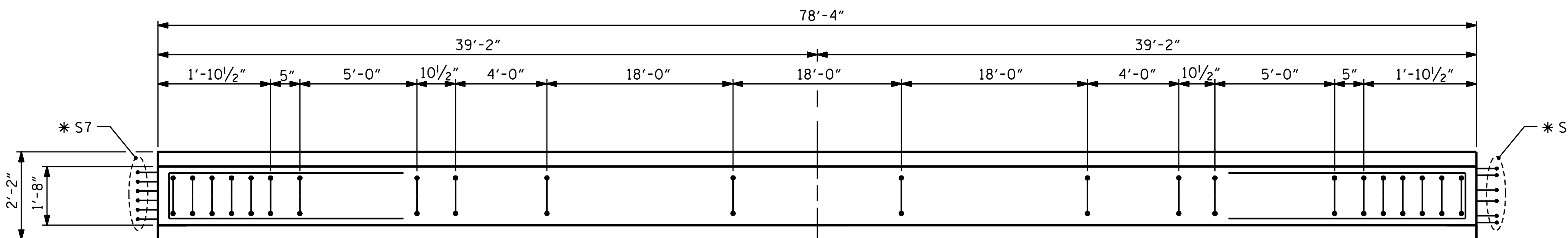
* FOR S7 BARS, SEE
DETAIL "A" OF
PRESTRESSED
CONCRETE GIRDER
CONTINUOUS FOR LIVE
LOAD DETAILS SHEET



AT END OF GIRDER

AT C OF GIRDER

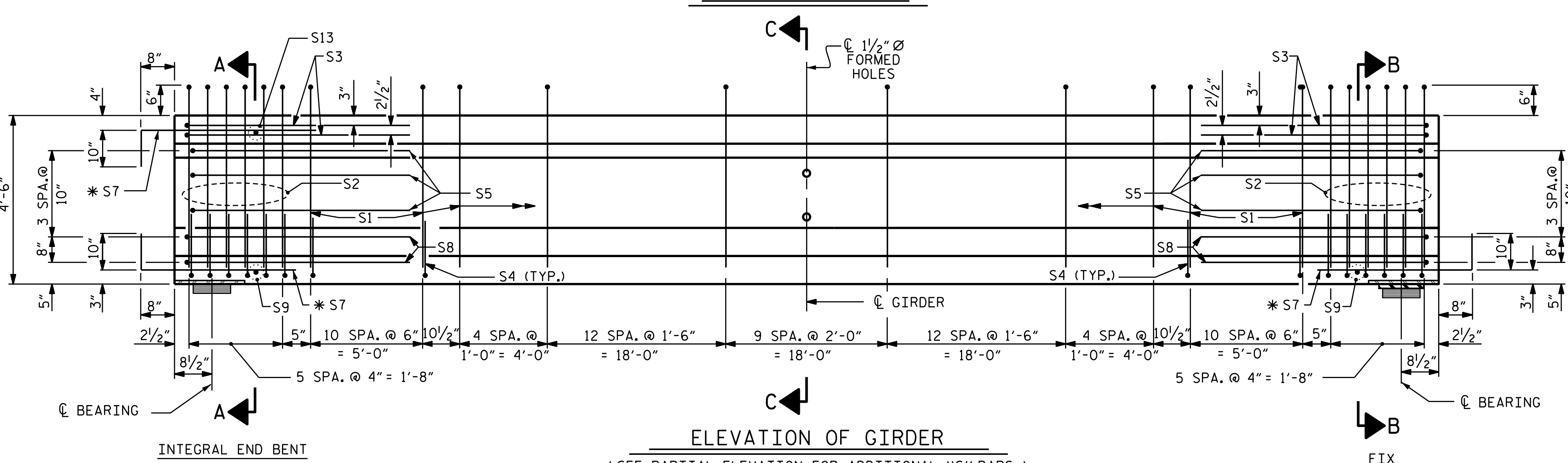
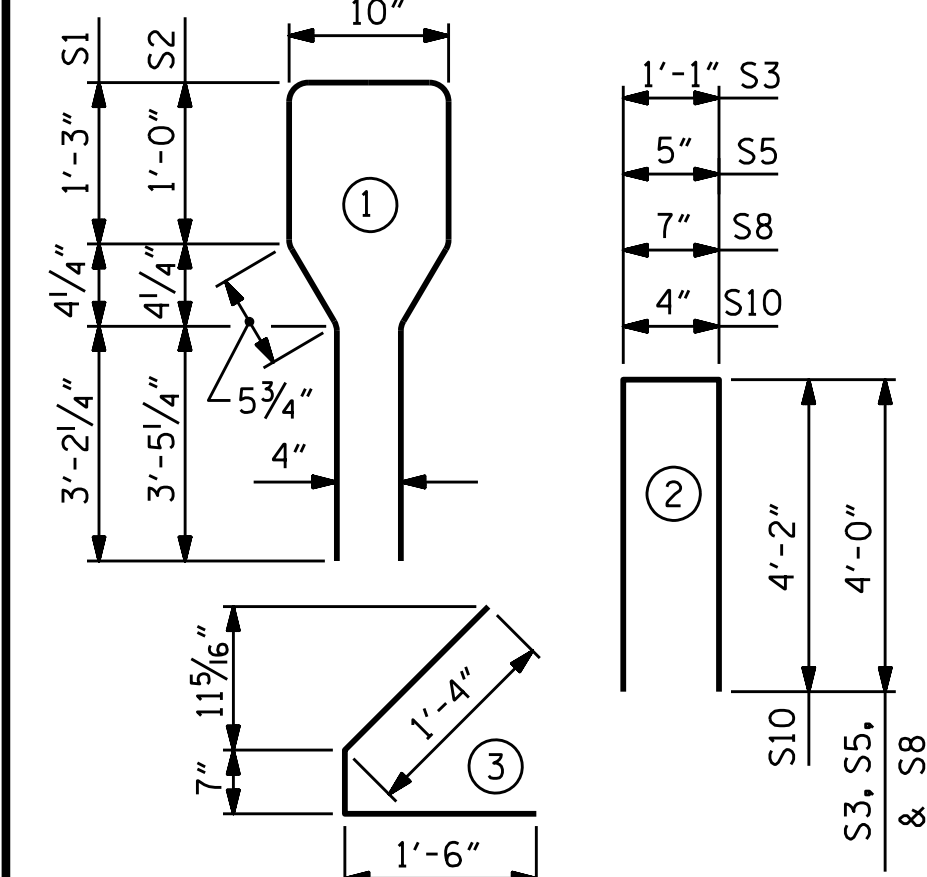
0.6" Ø LOW RELAXATION STRAND LAYOUT



PLAN OF GIRDER

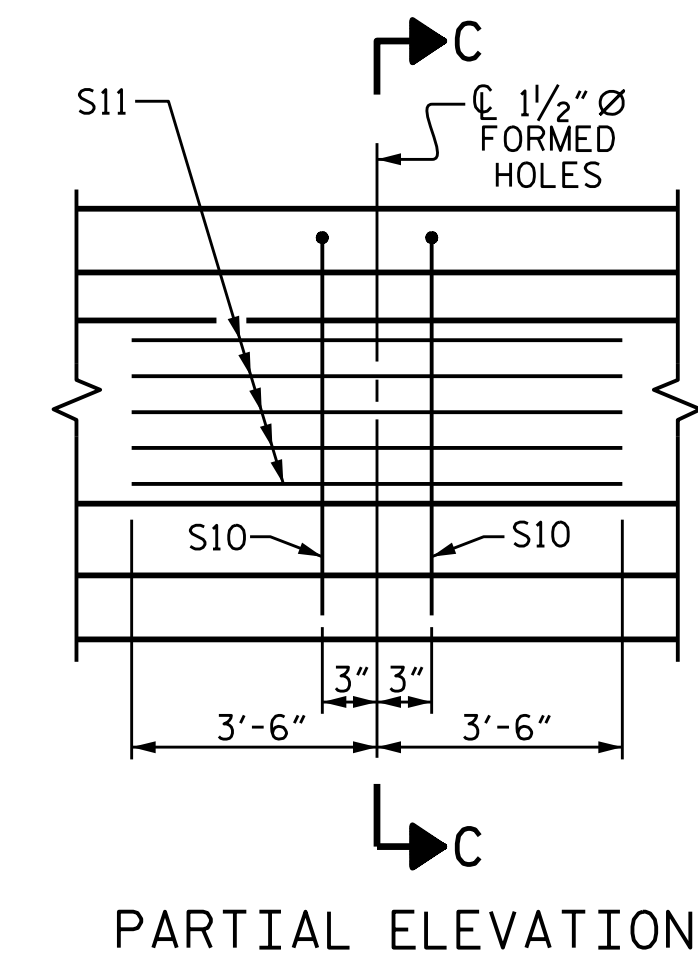
- BOND SHALL BE BROKEN ON THESE STRANDS FOR A DISTANCE OF 4'-0" FROM END OF GIRDER. SEE STANDARD SPECIFICATIONS, ARTICLE 1078-7.
- ◇ BOND SHALL BE BROKEN ON THESE STRANDS FOR A DISTANCE OF 14'-0" FROM END OF GIRDER. SEE STANDARD SPECIFICATIONS, ARTICLE 1078-7.

DEBONDING LEGEND



ELEVATION OF GIRDER

(SEE PARTIAL ELEVATION FOR ADDITIONAL "S" BARS)



PARTIAL ELEVATION

SHOWING INTERMEDIATE DIAPHRAGM REINFORCING STEEL FOR ALL GIRDERS

0.6" Ø L. R. GRADE 270 STRANDS

AREA (SQUARE INCHES)	ULTIMATE STRENGTH (LBS. PER STRAND)	APPLIED PRESTRESS (LBS. PER STRAND)
0.217	58,600	43,950

REINFORCING STEEL FOR ONE GIRDER

BAR	NUMBER	SIZE	TYPE	LENGTH	WEIGHT
S1	64	#4	1	10'-8"	456
S2	12	#6	1	10'-8"	192
S3	4	#4	2	9'-1"	24
S4	68	#4	3	3'-5"	155
S5	6	#4	2	8'-5"	34
* S7	18	#5	STR	3'-8"	69
S8	4	#4	2	8'-7"	23
S9	2	#3	STR	1'-10"	1
S10	2	#5	2	8'-8"	18
S11	5	#4	STR	7'-0"	23
S13	1	#3	STR	1'-4"	1

* NOTE: S7 BARS SHALL BE BENT BEFORE SHIPMENT. HEAT BENDING SHALL NOT BE ALLOWED.

BAR TYPES

ALL BAR DIMENSIONS ARE OUT-TO-OUT

QUANTITIES FOR ONE GIRDER

REINFORCING STEEL	5000 PSI CONCRETE	0.6" Ø L. R. STRANDS
LB.	C.Y.	No.
996	15.9	28

GIRDERS REQUIRED

NUMBER	LENGTH	TOTAL LENGTH
4	78'-4"	313'-4"

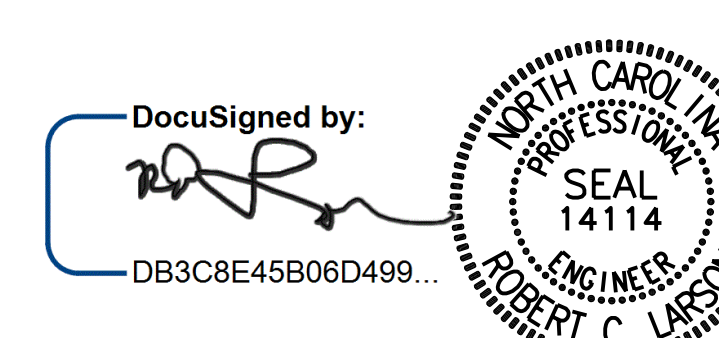
PROJECT NO. R-2561CA

COLUMBUS COUNTY

STATION: 70+34.00 -L-

SHEET 1 OF 4

STATE OF NORTH CAROLINA
DEPARTMENT OF TRANSPORTATION
RALEIGH
STANDARD
AASHTO TYPE IV
PRESTRESSED CONCRETE GIRDER
CONTINUOUS FOR LIVE LOAD
SPAN A
LEFT LANE



DocuSigned by:
DB3C8E45B06D499...

DESIGN ENGINEER OF RECORD:	DATE: 8/15/2022
ASSEMBLED BY: A. K. ALLANKI	DATE: 08/22/19
CHECKED BY: R. C. LARSON	DATE: 04/22/20
DRAWN BY: ELR 8/91	REV. 10/1/11 MAA/GM
CHECKED BY: GRP 8/91	REV. 1/15 MAA/TMG
	REV. 12/17 MAA/THC

DOCUMENT NOT CONSIDERED FINAL
UNLESS ALL SIGNATURES COMPLETED



REVISIONS				SHEET NO.	
NO.	BY:	DATE:	NO.	BY:	DATE:
1			3		
2			4		

TOTAL SHEETS 30

STD. NO. PCG6 (Sht. 2)

\$FILEL\$ \$DATE\$ \$TIME\$ \$USER\$ \$PENTBLS\$ \$PLTDVRS\$
 KCI PROJECT NO. 241704391.04