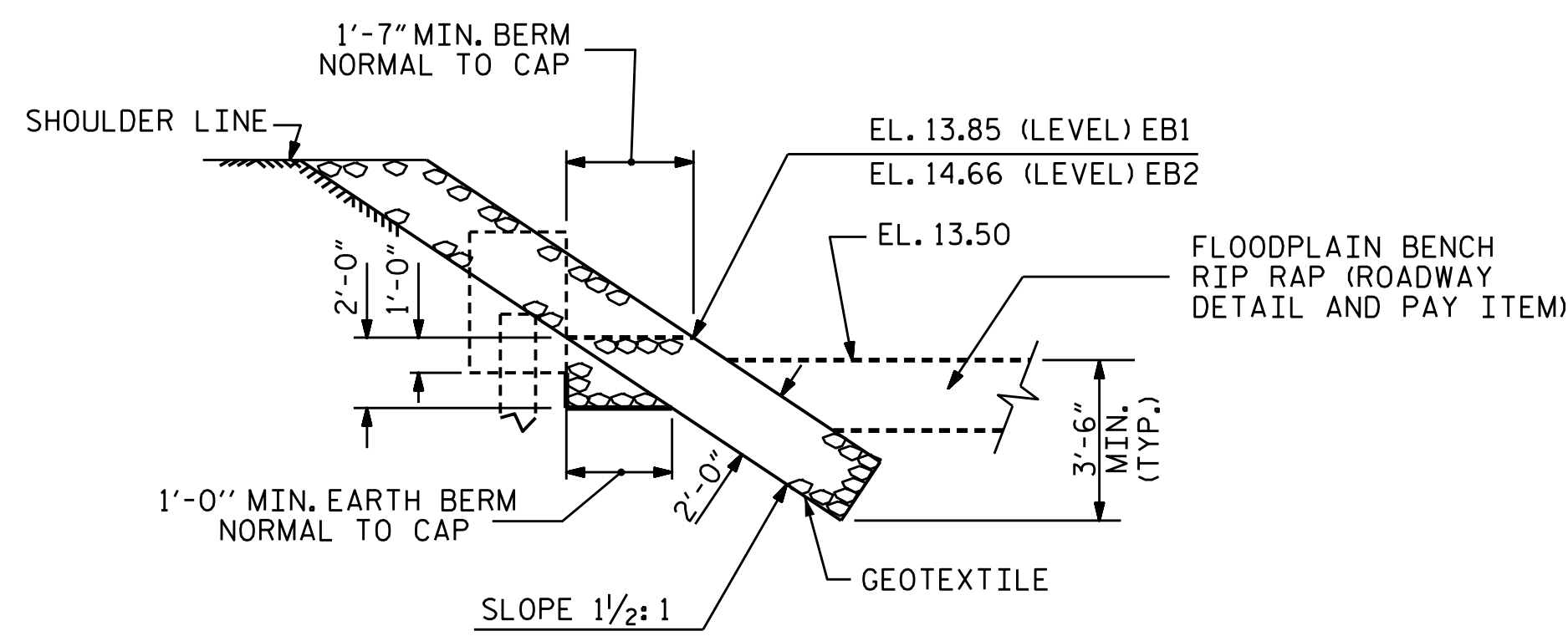
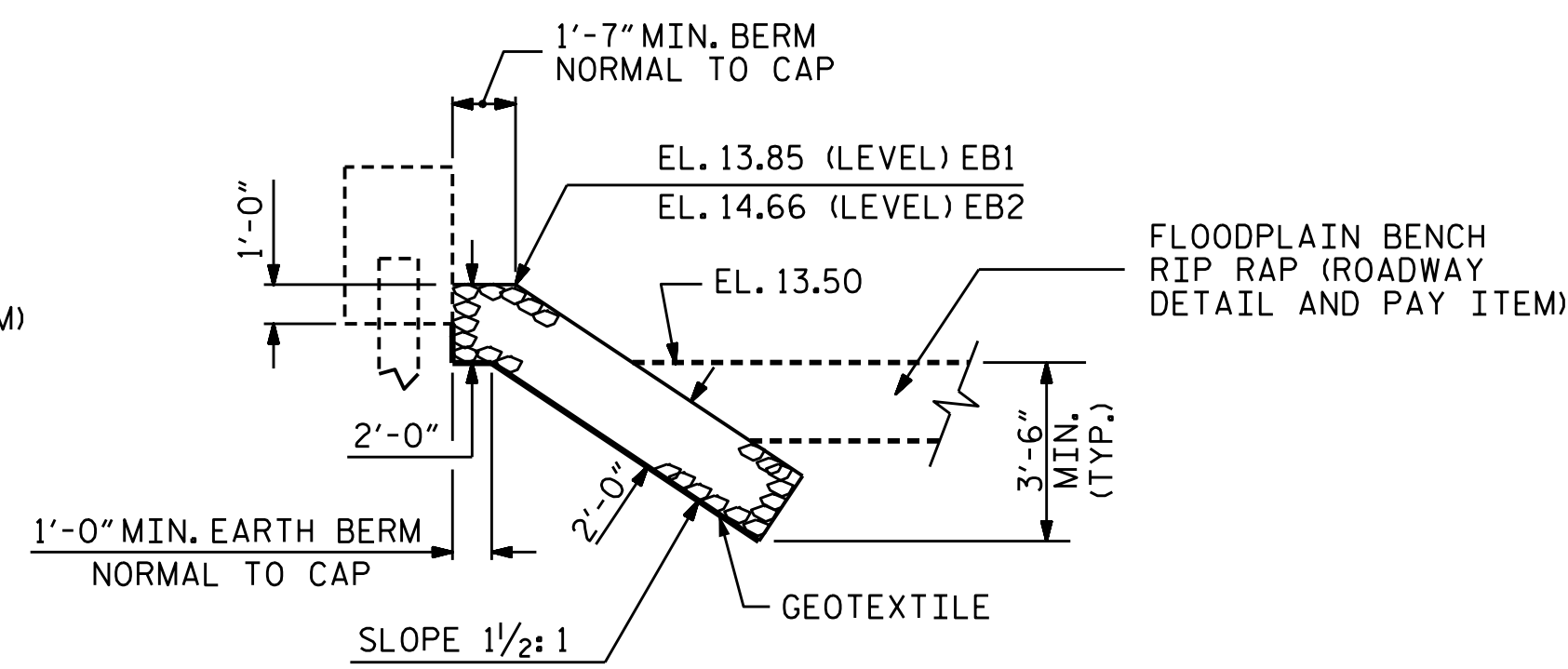


ESTIMATED QUANTITIES		
BRIDGE @ STA. 16+93.00 -Y-	RIP RAP CLASS II (2'-0" THICK)	GEOTEXTILE FOR DRAINAGE
	TONS	SQUARE YARDS
END BENT 1	290	325
END BENT 2	215	240

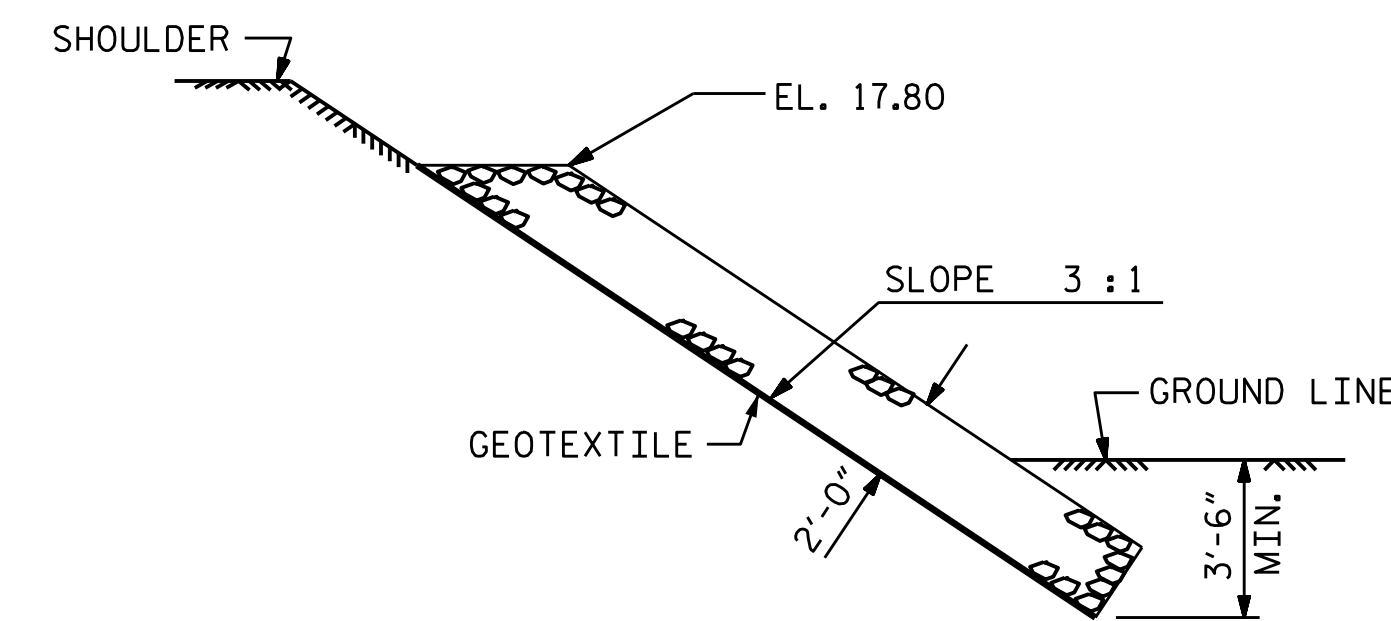
SHOULDER RIP RAP IS HIGHER THAN BERM RIP RAP



SECTION H-H



SECTION C-C
BERM RIP RAPPED



SECTION C-C

PROJECT NO. R-2561CA
COLUMBUS COUNTY
 STATION: 16+93.00 -Y-

STATE OF NORTH CAROLINA
 DEPARTMENT OF TRANSPORTATION
 RALEIGH
 STANDARD
 RIP RAP DETAILS

REVISIONS						SHEET NO.
NO.	BY:	DATE:	NO.	BY:	DATE:	S2-22
1			3			TOTAL SHEETS 24
2			4			

DocuSigned by:

 DB3C8E45B06D498
 NORTH CAROLINA PROFESSIONAL ENGINEER
 SEAL 14114
 ROBERT C. LARSON
 8/15/2022

DESIGN ENGINEER OF RECORD: DATE: 8/15/2022
 ASSEMBLED BY: A. SAMBOY DATE: 06/25/19
 CHECKED BY: R. C. LARSON DATE: 07/08/20
 DRAWN BY: REK 1/84 REV. 10/1/11 MAA/GM
 CHECKED BY: RDU 1/84 REV. 12/21/11 MAA/GM
 REV. 12/17 MAA/THC

**DOCUMENT NOT CONSIDERED FINAL
 UNLESS ALL SIGNATURES COMPLETED**

ENGINEERS • PLANNERS • SCIENTISTS • CONSTRUCTION MANAGERS LICENSE NUMBER: C-0764

KCI Associates
 of North Carolina, P.A.
 2505 Falls of Neuse Road, Suite 400 Raleigh, NC 27609-6270 Phone (919) 785-9294

STD. NO. RR1

\$FILEL\$ \$DATER\$ \$TIME\$ \$USERS\$ \$PENTBL\$ \$PLTDVRS\$
 KCI PROJECT NO. 241704391.04