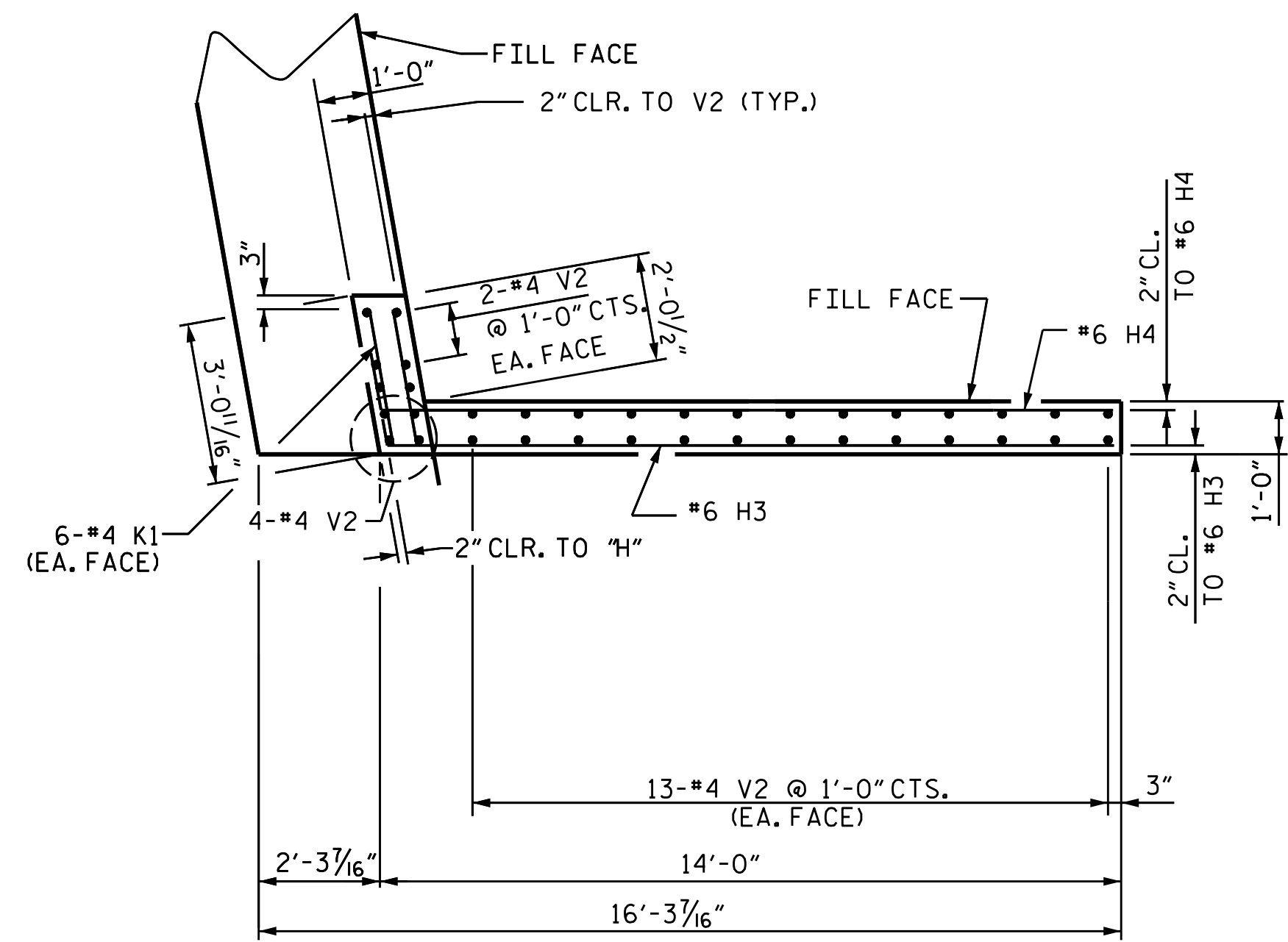
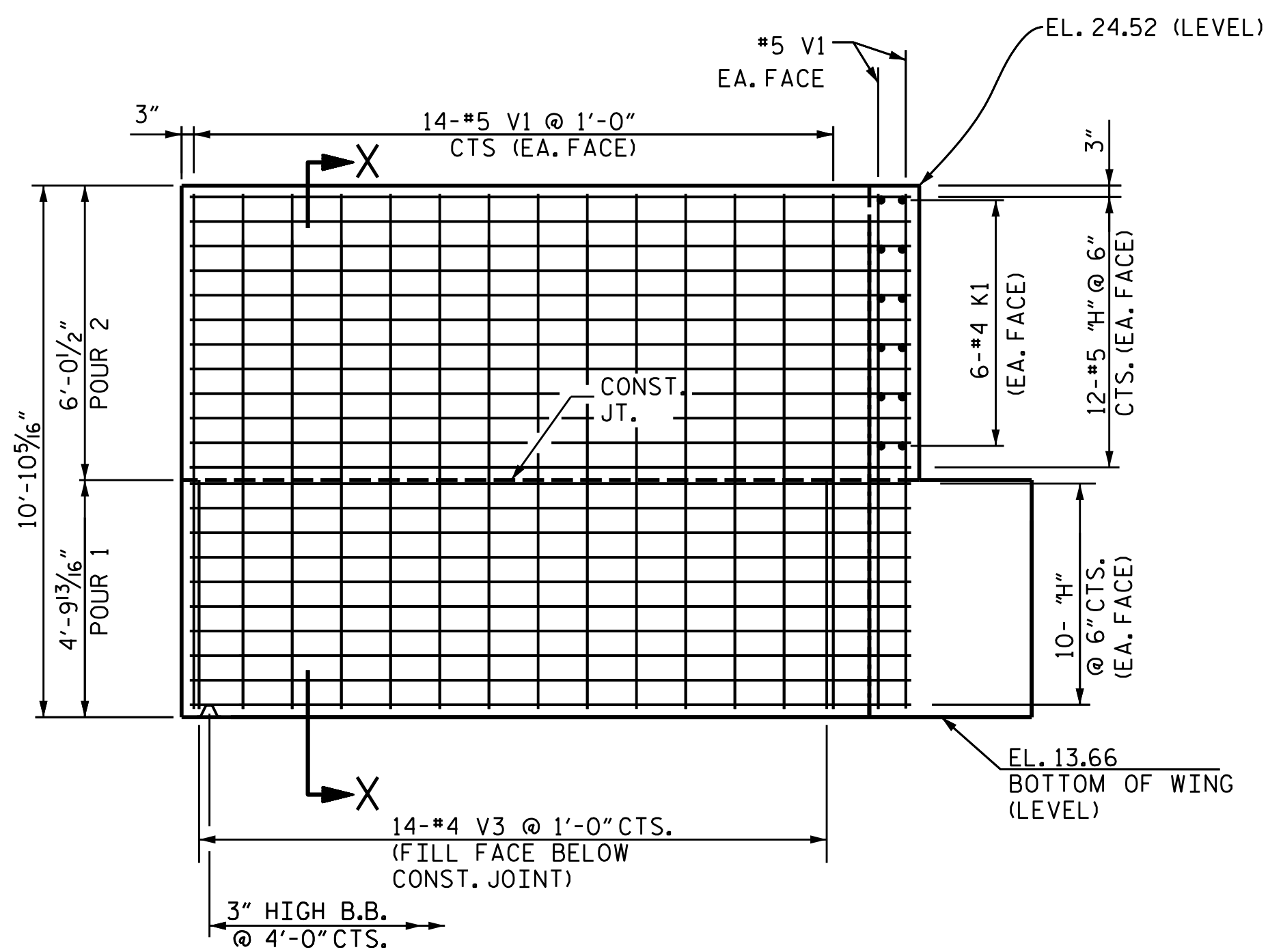


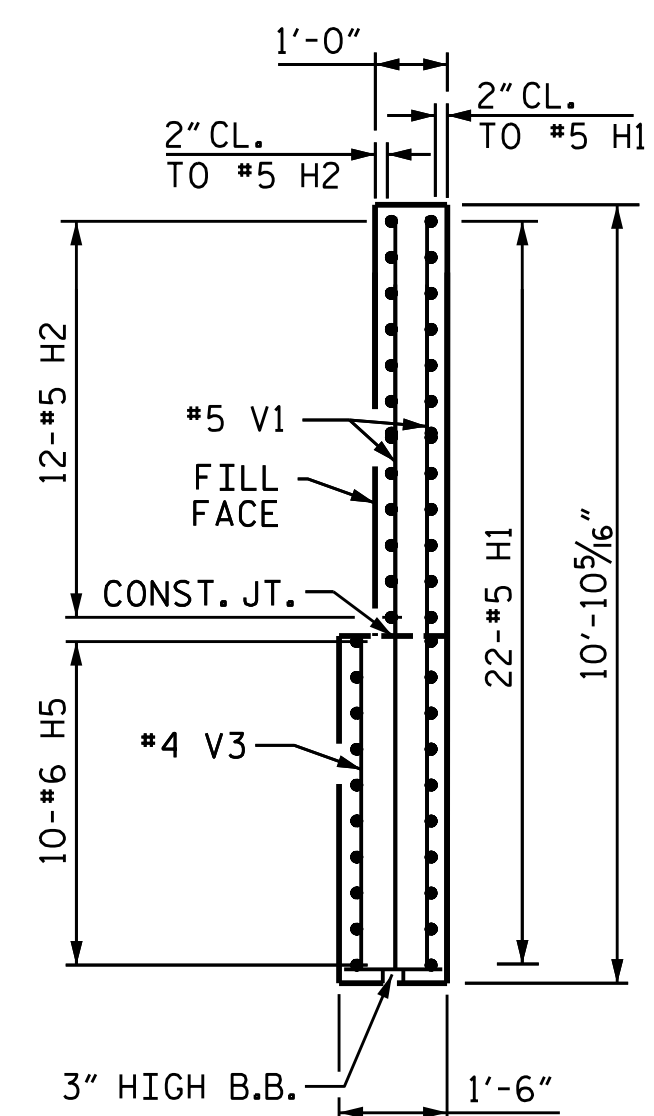
PLAN W1



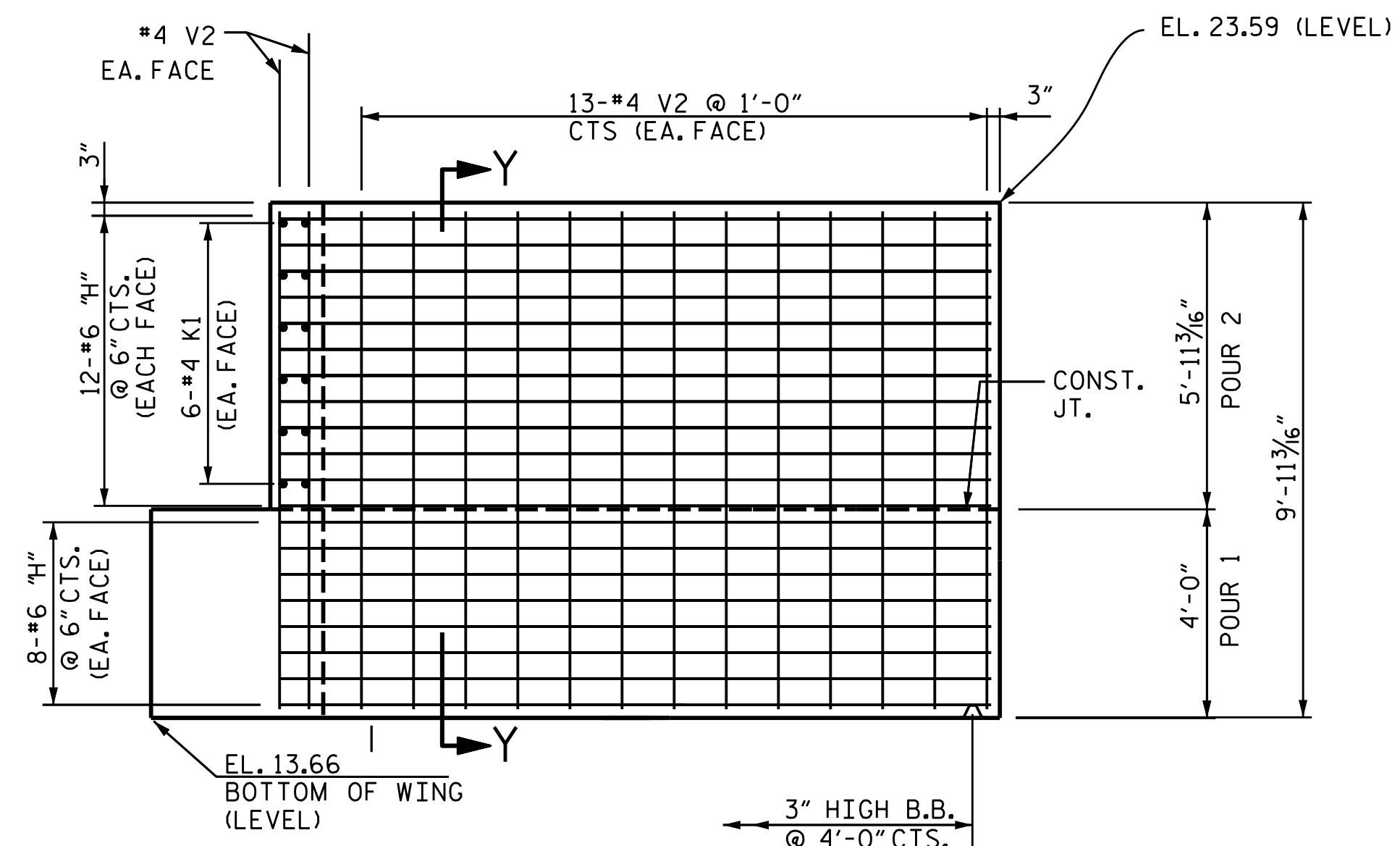
PLAN W2



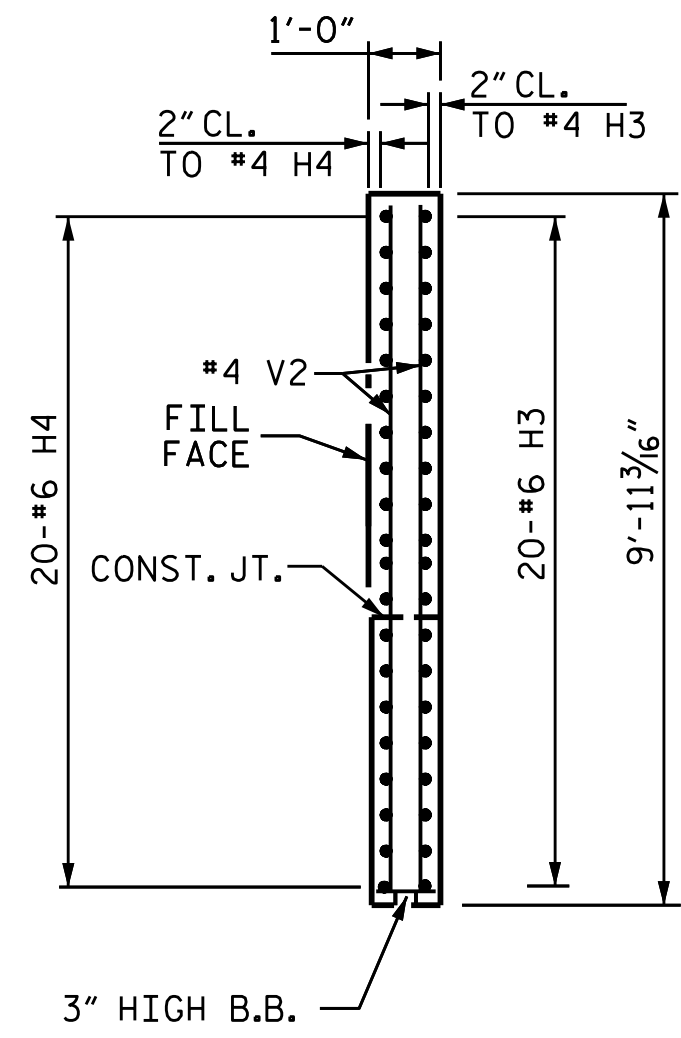
ELEVATION W1



SECTION X-X



ELEVATION W2



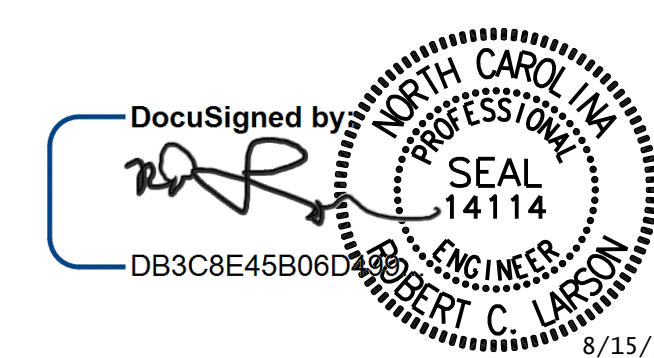
SECTION Y-Y

PROJECT NO. R-2561CA
 COLUMBUS COUNTY
 STATION: 16+93.00 -Y-

SHEET 2 OF 3

STATE OF NORTH CAROLINA
 DEPARTMENT OF TRANSPORTATION
 RALEIGH

SUBSTRUCTURE
 END BENT 2



DESIGN ENGINEER OF RECORD:	DATE:
<i>[Signature]</i>	8/15/2022
DRAWN BY:	DATE:
A. K. ALLANKI	06/30/20
CHECKED BY:	DATE:
R. C. LARSON	07/06/20

DOCUMENT NOT CONSIDERED FINAL
 UNLESS ALL SIGNATURES COMPLETED



REVISIONS				SHEET NO.	
NO.	BY:	DATE:	NO.	BY:	DATE:
1			3		
2			4		

TOTAL SHEETS: 24

\$FILEL\$ \$DATES\$ \$TIME\$ \$USER\$ \$PENTBL\$ \$PLTDRV\$
 KCI PROJECT NO. 241704391.04