

PLAN @ END BENT 1
 PLAN @ END BENT 2
 DIMENSIONS SHOWN ARE TYPICAL FOR BOTH APPROACH SLABS

NOTES

APPROACH SLAB SHALL NOT BE CONSTRUCTED PRIOR TO COMPLETION OF THE BRIDGE DECK.

FOR BRIDGE APPROACH FILL INCLUDING GEOTEXTILE, 6" Ø DRAINAGE PIPE, AND SELECT MATERIAL, SEE ROADWAY PLANS.

GEOTEXTILE SHALL BE TYPE 1 IN ACCORDANCE WITH THE STANDARD SPECIFICATIONS SECTION 1056.

SELECT MATERIAL BACKFILL (CLASS V OR CLASS VI) SHALL BE IN ACCORDANCE WITH STANDARD SPECIFICATIONS SECTION 1016.

SELECT MATERIAL BACKFILL IS TO BE CONTINUOUS ALONG FILL FACE OF BACKWALL FROM OUTSIDE EDGE TO OUTSIDE EDGE OF APPROACH SLAB.

FOR THE 6" Ø DRAINAGE PIPE OUTLET(S), SEE ROADWAY STANDARD DRAWINGS.

AREA BETWEEN THE WINGWALL AND APPROACH SLAB SHALL BE GRADED TO DRAIN THE WATER AWAY FROM THE FILL FACE OF THE BRIDGE AND SHALL BE PAVED. SEE ROADWAY PLANS.

THE JOINT OPENING AT THE APPROACH SLAB/DECK INTERFACE SHALL BE SAWED NO MORE THAN 12 HOURS AFTER THE APPROACH SLAB IS CAST. THE JOINT SHALL BE CLEANED OF ALL DEBRIS BEFORE THE SEALANT IS APPLIED. THE JOINT SEALER MATERIAL SHALL CONFORM TO THE REQUIREMENTS OF SECTION 1028-3 OF THE STANDARD SPECIFICATIONS.

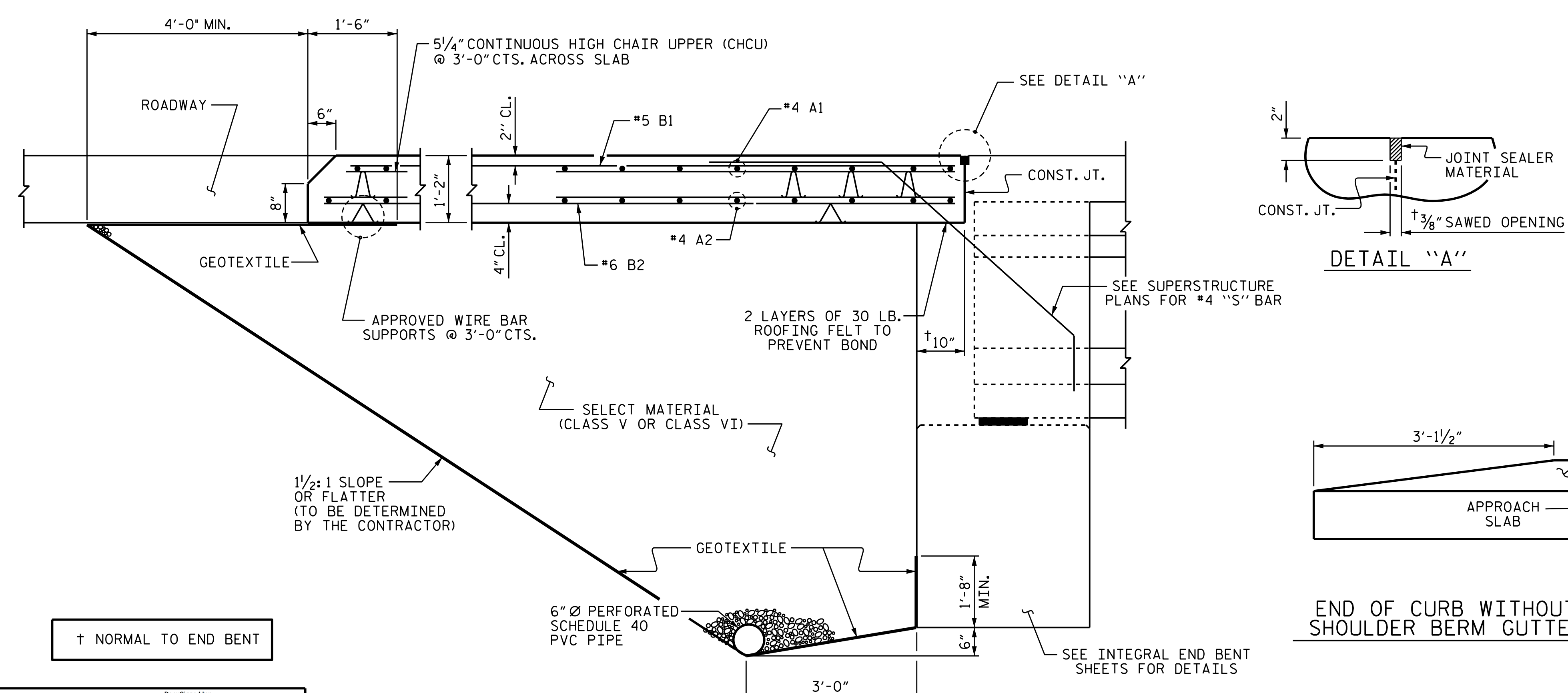
AT THE CONTRACTORS OPTION, "TYPE A - ALTERNATE APPROACH FILL" IN LIEU OF "TYPE I - STANDARD APPROACH FILL" MAY BE CONSTRUCTED AT NO ADDITIONAL COST TO THE DEPARTMENT. SEE SHEET 2 OF 2 FOR DETAILS AND NOTES.

BILL OF MATERIAL
 FOR ONE APPROACH SLAB (2 REQ'D)

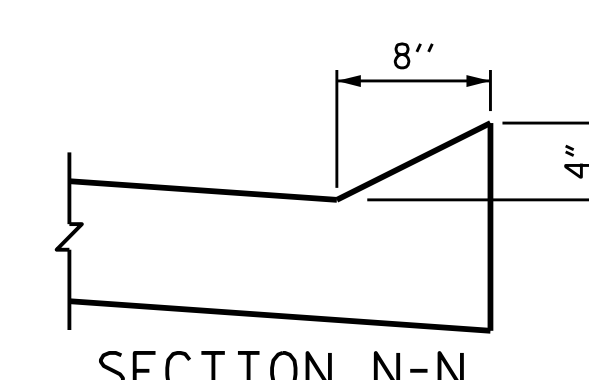
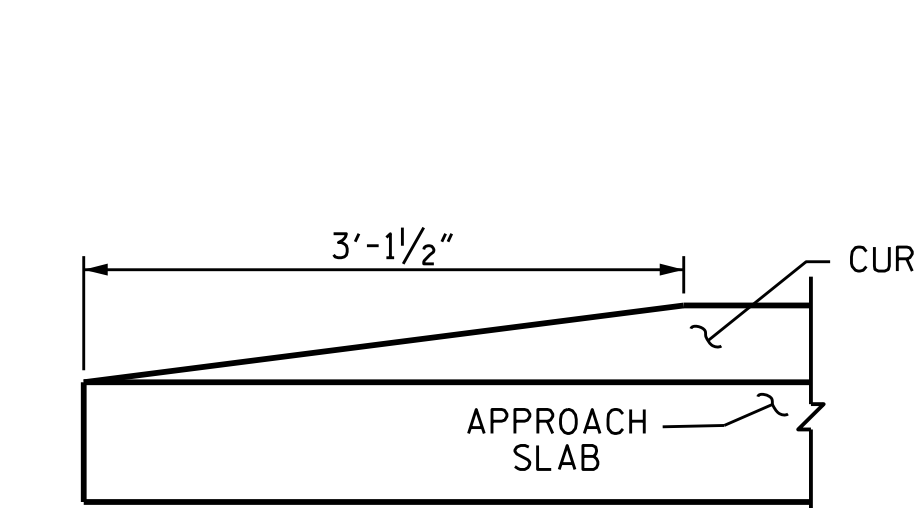
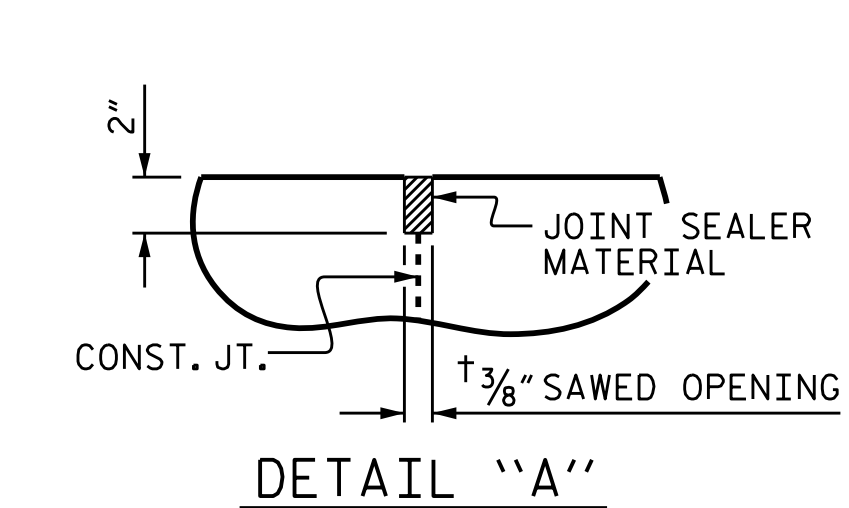
BAR	NO.	SIZE	TYPE	LENGTH	WEIGHT
* A1	32	#4	STR	24'-8"	527
A2	32	#4	STR	24'-6"	524
* B1	94	#5	STR	14'-1"	1381
B2	94	#6	STR	14'-7"	2059
REINFORCING STEEL				LBS.	2583
* EPOXY COATED REINFORCING STEEL				LBS.	1908
CLASS AA CONCRETE				C. Y.	30.6

SPLICE LENGTHS

BAR SIZE	EPOXY COATED	UNCOATED
#4	1'-11"	1'-7"
#5	2'-5"	2'-0"
#6	3'-7"	2'-5"



SECTION THRU SLAB
 (TYPE I - STANDARD APPROACH FILL)



PROJECT NO. R-256ICA
 COLUMBUS COUNTY
 STATION: 34+01.72 -Y-

SHEET 1 OF 2

STATE OF NORTH CAROLINA
 DEPARTMENT OF TRANSPORTATION
 RALEIGH
 STANDARD
 BRIDGE APPROACH SLAB
 FOR INTEGRAL ABUTMENT
 WITH FLEXIBLE PAVEMENT

DESIGN ENGINEER OF RECORD: DATE 8/15/2022

ASSEMBLED BY: Z. KADI DATE: 07/01/19
 CHECKED BY: R. C. LARSON DATE: 07/29/19

DRAWN BY: TLA 10/05 REV. 6/13 MAA/GM
 CHECKED BY: GM 5/06 REV. 12/17 MAA/THC
 REV. 06/19 BNB/THC

DOCUMENT NOT CONSIDERED FINAL
 UNLESS ALL SIGNATURES COMPLETED

DocuSigned by:
 SEAL 14114
 ENGINEER
 ROBERT C. LARSON
 8/15/2022

KCI Associates
 of North Carolina, P.A.
 4505 Falls of House Road, Suite 400 Raleigh, NC 27609-6270 Phone 919-785-9244

NO.	BY:	DATE:	NO.	BY:	DATE:
1			3		
2			4		

SHEET NO. S1-27
 TOTAL SHEETS 28