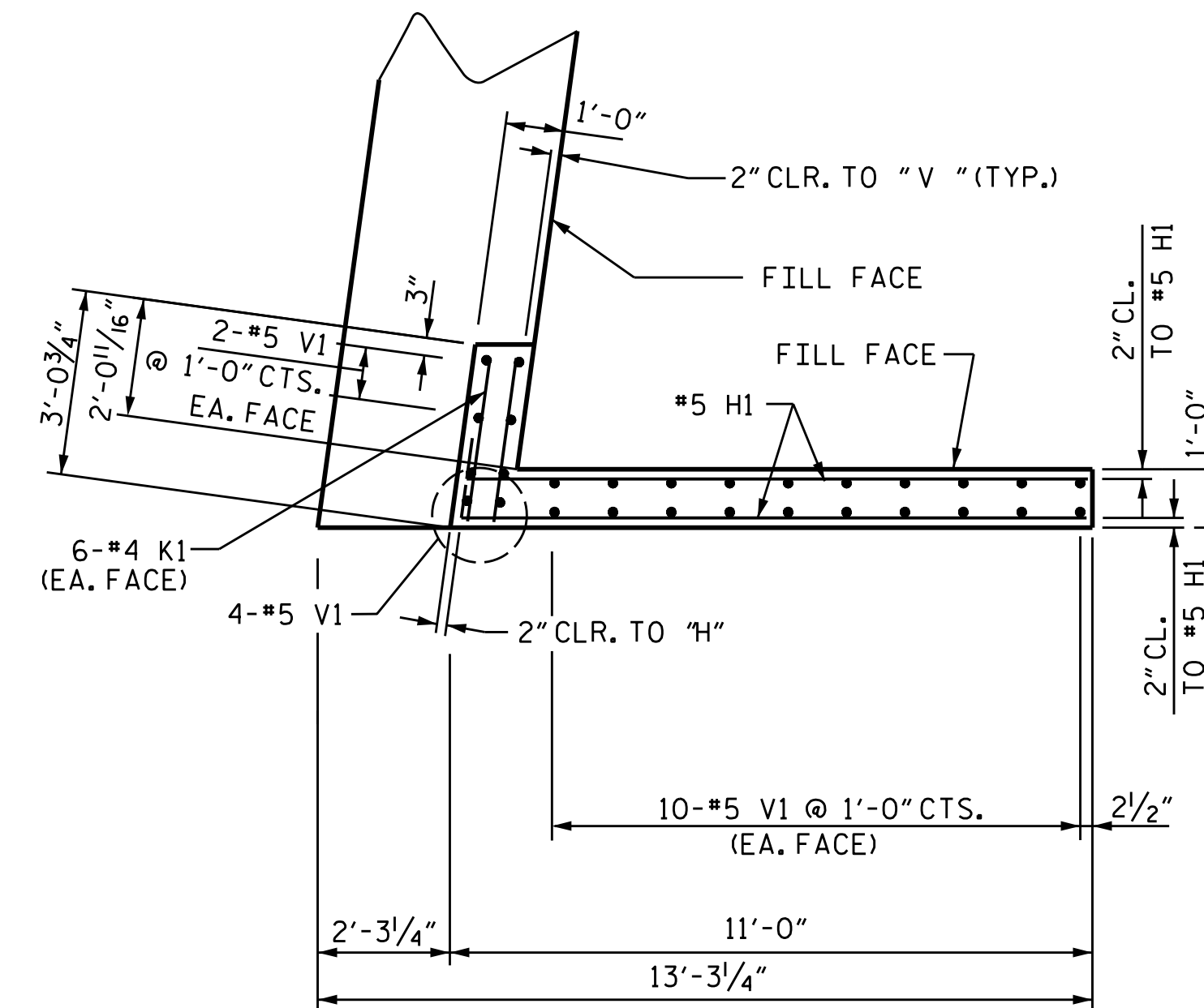
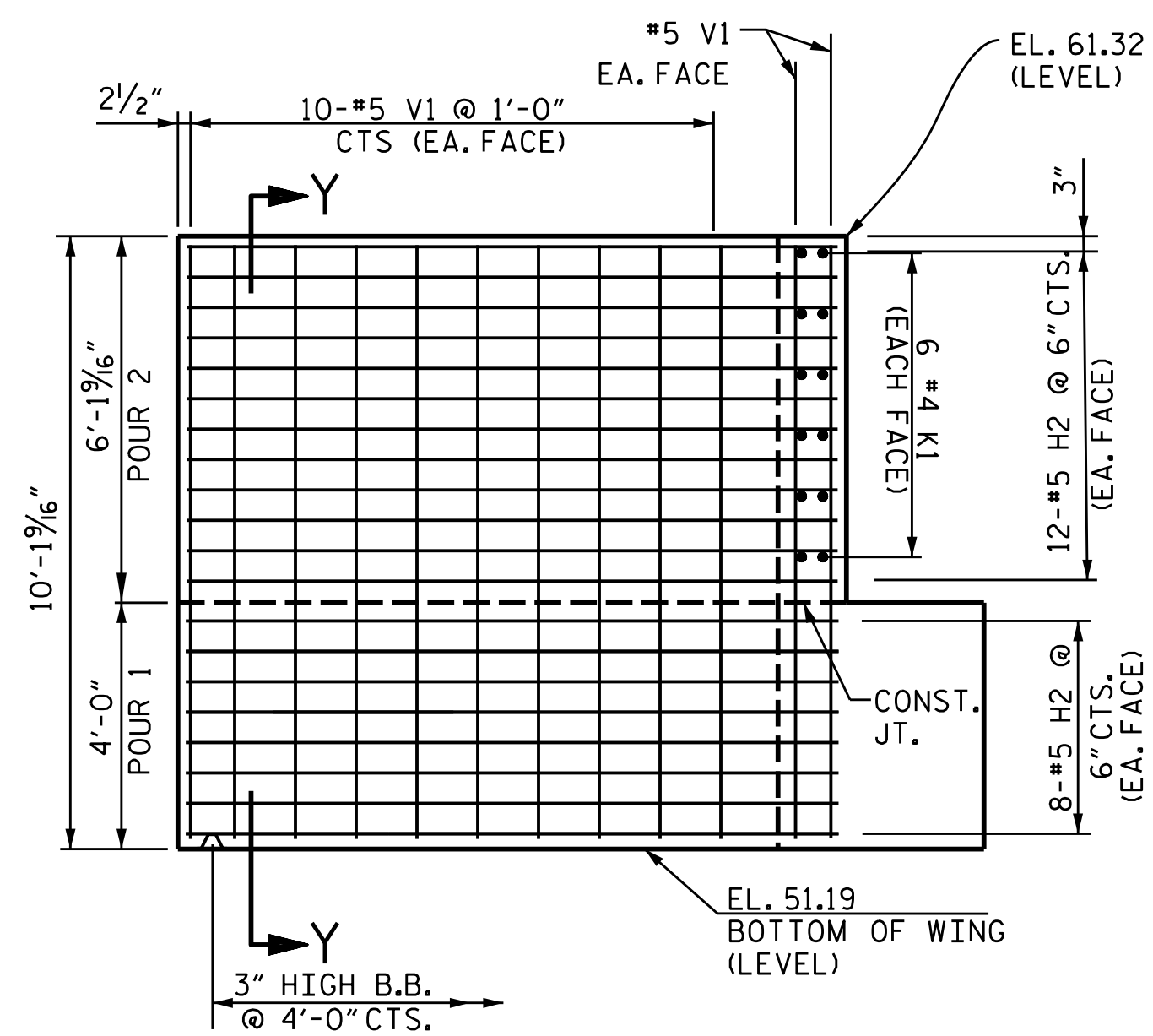


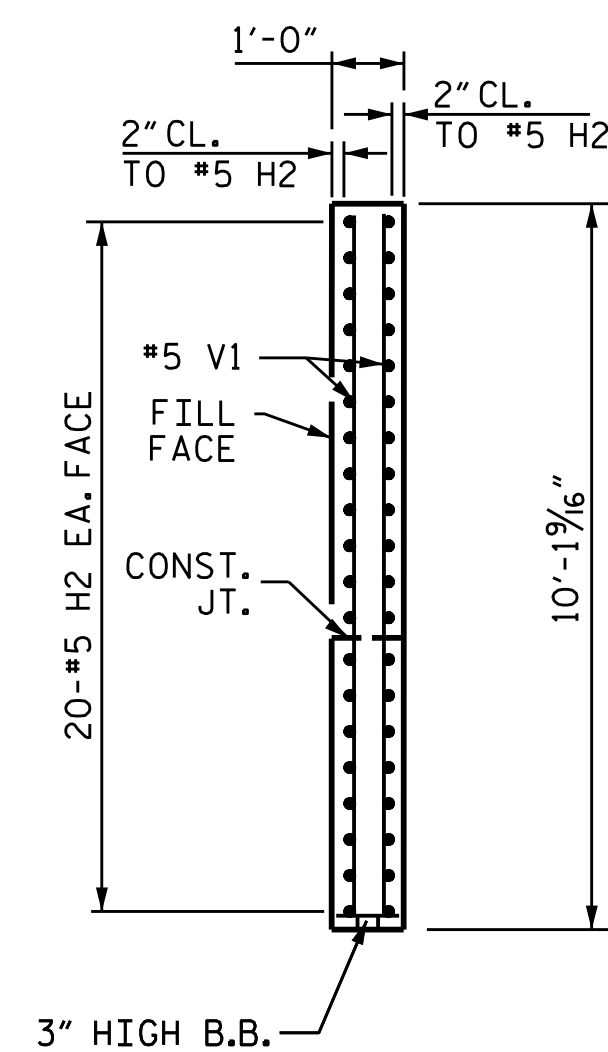
PLAN W1



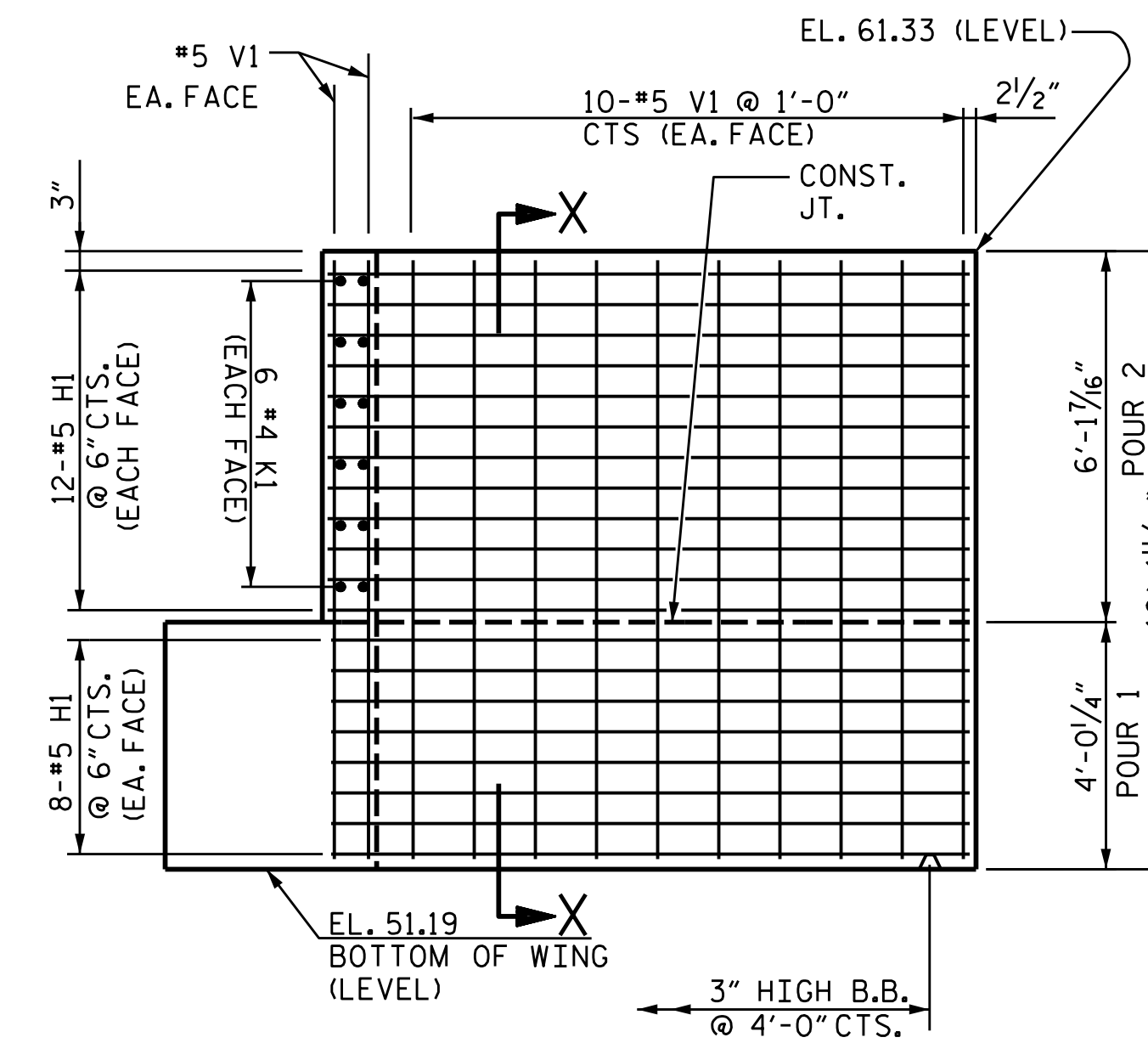
PLAN W2



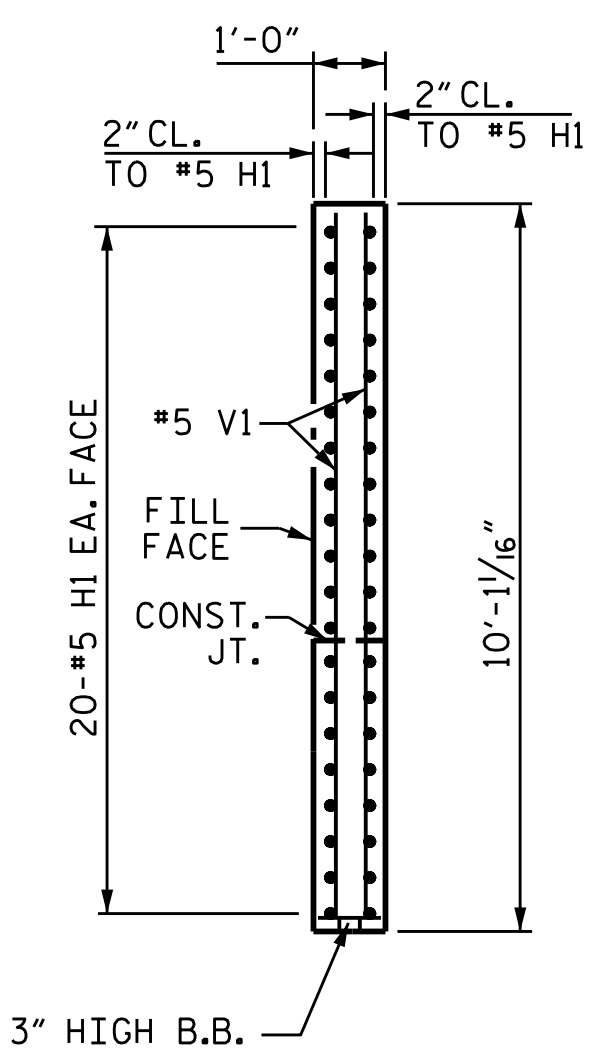
ELEVATION W1



SECTION Y-Y



ELEVATION W2



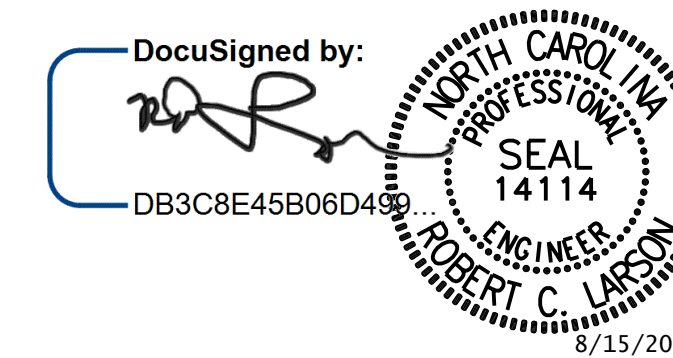
SECTION X-X

PROJECT NO. R-256ICA
COLUMBUS COUNTY
 STATION: 34+01.72 -Y-

SHEET 2 OF 3

STATE OF NORTH CAROLINA
 DEPARTMENT OF TRANSPORTATION
 RALEIGH

SUBSTRUCTURE
 END BENT 2



DESIGN ENGINEER OF RECORD: R. J. FLORY DATE: 03/30/20
 DRAWN BY: R. J. FLORY DATE: 03/30/20
 CHECKED BY: R. C. LARSON DATE: 04/02/20

DOCUMENT NOT CONSIDERED FINAL
 UNLESS ALL SIGNATURES COMPLETED

KCI Associates
 of North Carolina, P.A.
 4505 Falls of Neuse Road, Suite 400 Raleigh, NC 27609-6270 Phone 919-785-5244

REVISIONS		SHEET NO.
NO.	DATE	S1-23
1		TOTAL SHEETS
2		28