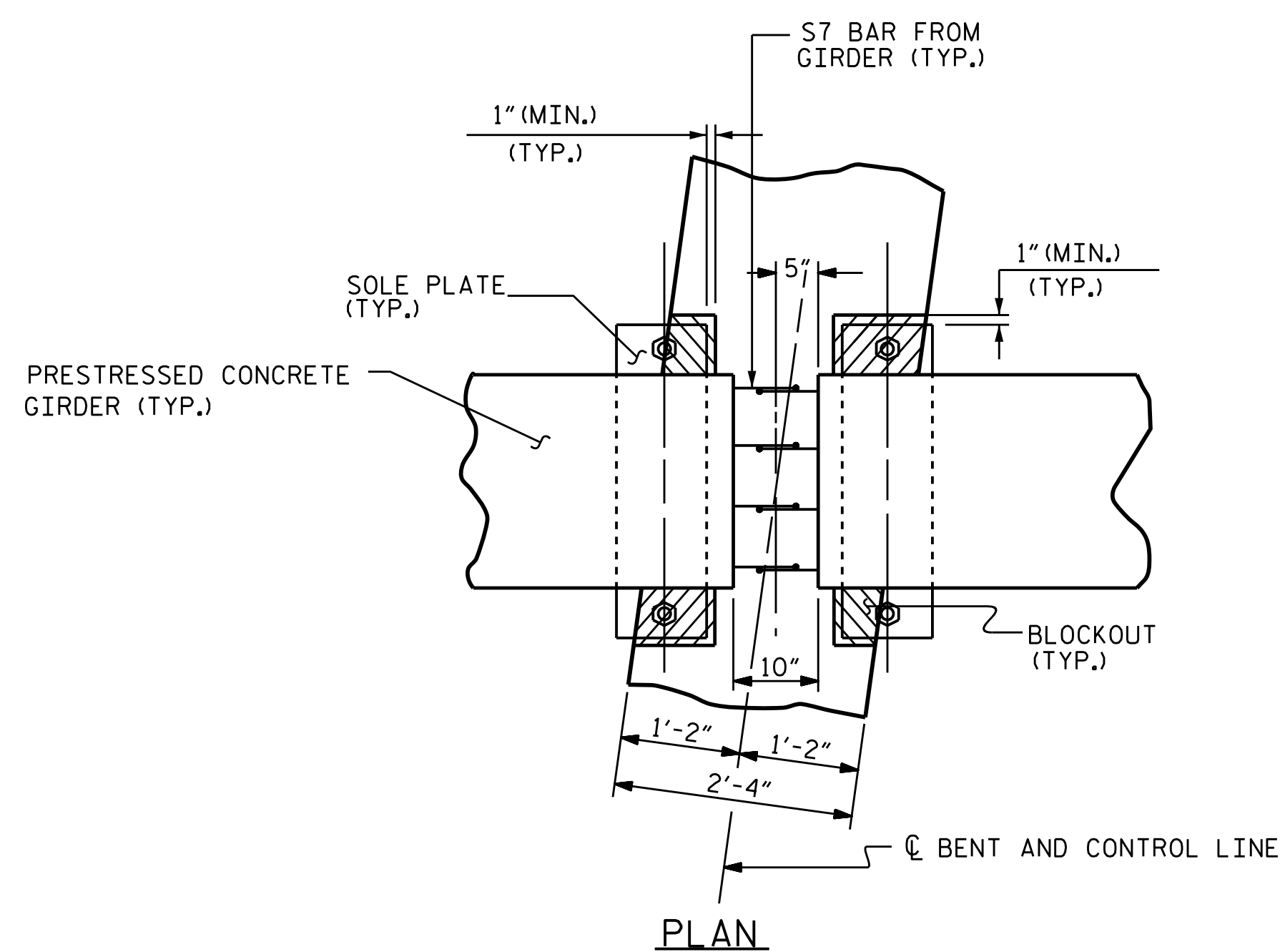
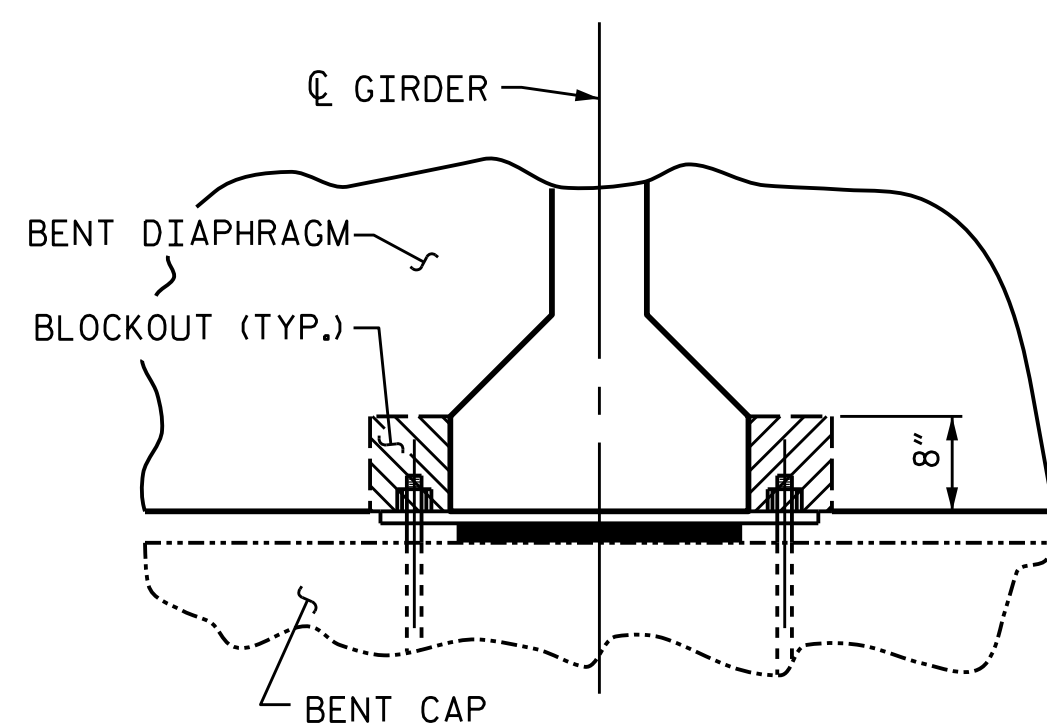


TYPICAL SECTION AT BENT DIAPHRAGM



BENT DIAPHRAGM BLOCKOUT DETAIL



SECTION

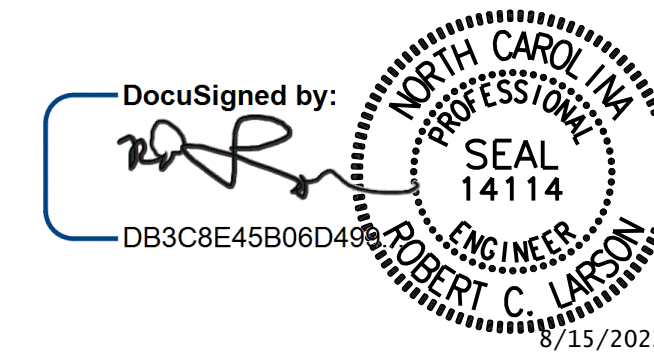
- INDICATES CONTINUOUS REINFORCING
- INDICATES ADDITIONAL REINFORCING OVER BENT

PROJECT NO. R-256ICA
COLUMBUS COUNTY
 STATION: 34+01.72 -Y-

SHEET 2 OF 3

STATE OF NORTH CAROLINA
 DEPARTMENT OF TRANSPORTATION
 RALEIGH

SUPERSTRUCTURE
 TYPICAL SECTION



DESIGN ENGINEER OF RECORD [Signature] DATE: 8/15/2022
 DRAWN BY: A. K. ALLANKI DATE: 07/24/19
 CHECKED BY: R. C. LARSON DATE: 07/27/19

DOCUMENT NOT CONSIDERED FINAL
 UNLESS ALL SIGNATURES COMPLETED

ENGINEERS & PLANNERS & SCIENTISTS & CONSTRUCTION MANAGERS LICENSE NUMBER: C-0764
KCI Associates
 of North Carolina, P.A.
 4505 Falls of Neuse Road, Suite 400 Raleigh, NC 27609-6270 Phone (919) 785-9241

| REVISIONS | | SHEET NO. | |
|-----------|------|-----------|------|
| NO. | DATE | NO. | DATE |
| 1 | | 3 | |
| 2 | | 4 | |

TOTAL SHEETS: 28