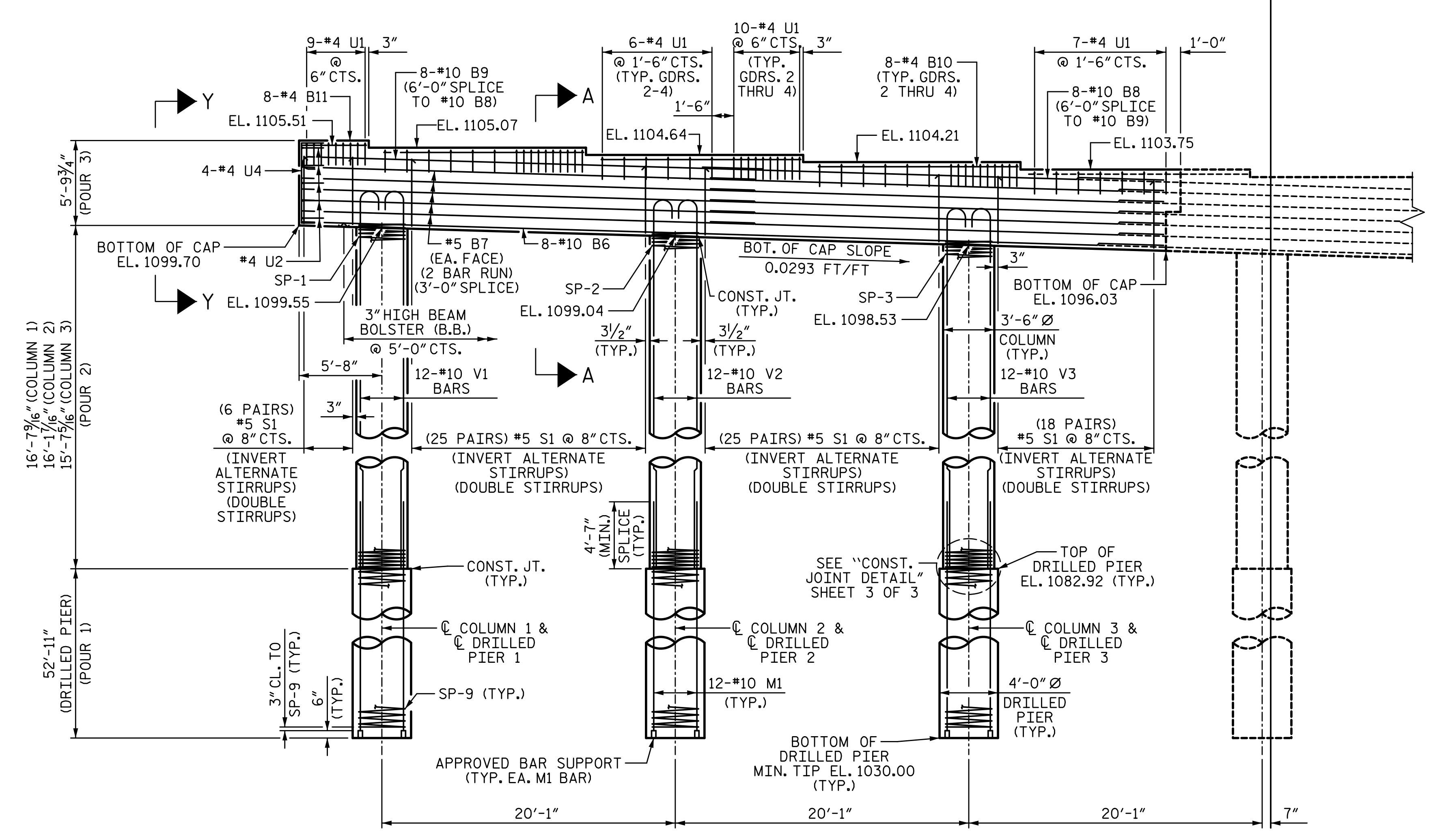
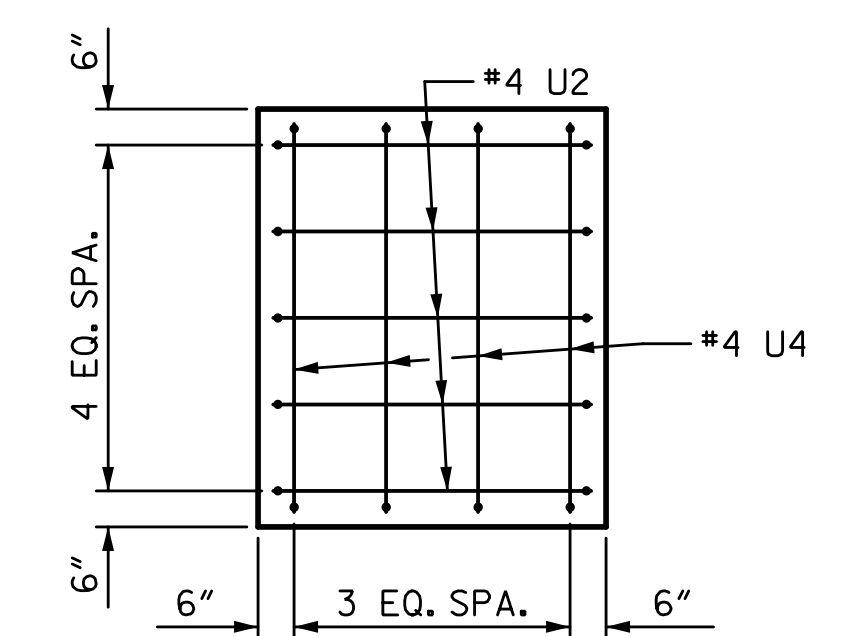
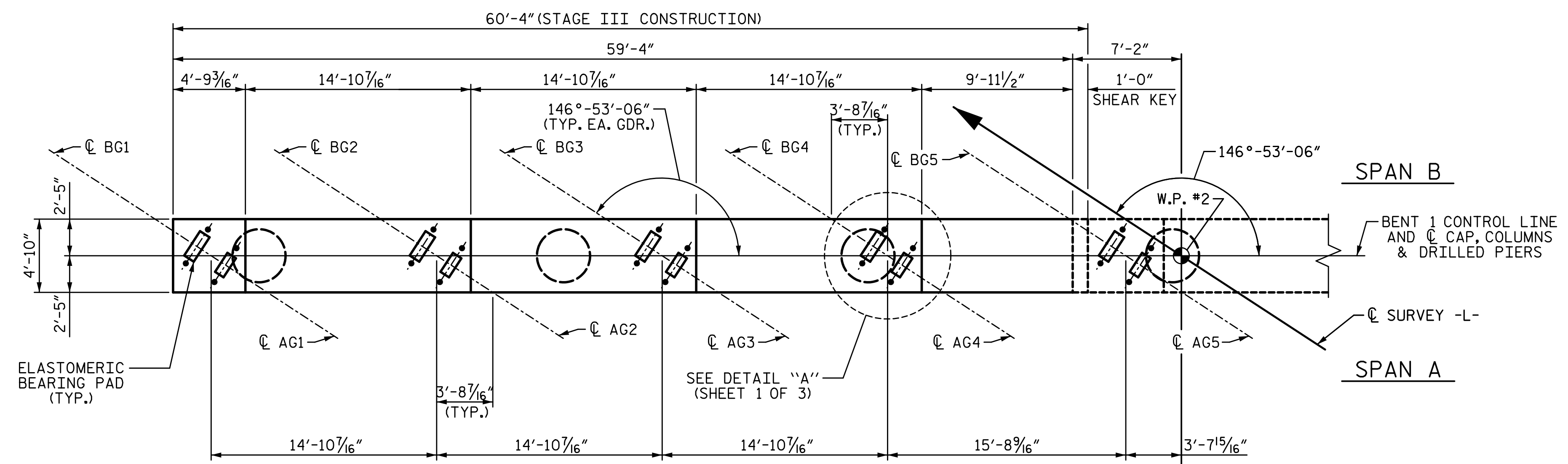


11/21/2022 10:19:05 AM P:\Raleigh\Projects\2018\Division 13 (SEA)\B-5869 (Burke 99)\Structures\Drawings\2\Final\2\B5869_SMU_B1_110099(2).dgn



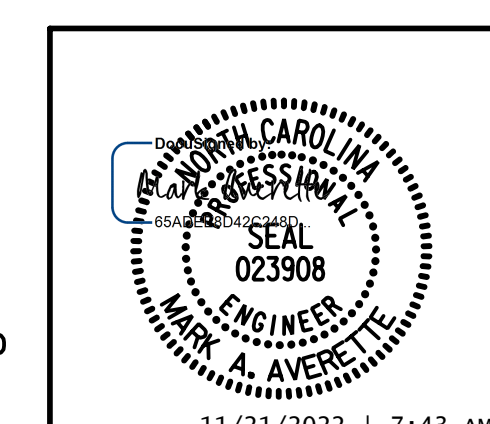
PROJECT NO. B-5869
BURKE COUNTY
 STATION: 21+62.39 -L-

SHEET 2 OF 3

STATE OF NORTH CAROLINA
 DEPARTMENT OF TRANSPORTATION
 RALEIGH
 SUBSTRUCTURE

BENT 1

STAGE III



DRAWN BY: S.D. COOPER DATE: 3-2022
 CHECKED BY: M. AVERETTE DATE: 3-2022
 DESIGN ENGINEER OF RECORD: M. AVERETTE DATE: 3-2022

REVISIONS						SHEET NO.
NO.	BY:	DATE:	NO.	BY:	DATE:	S-57
1			3			TOTAL SHEETS
2			4			72

11/21/2022 | 7:43 AM
 LICENSURE NO. C-4434
 DOCUMENT NOT CONSIDERED FINAL UNLESS ALL SIGNATURES COMPLETED