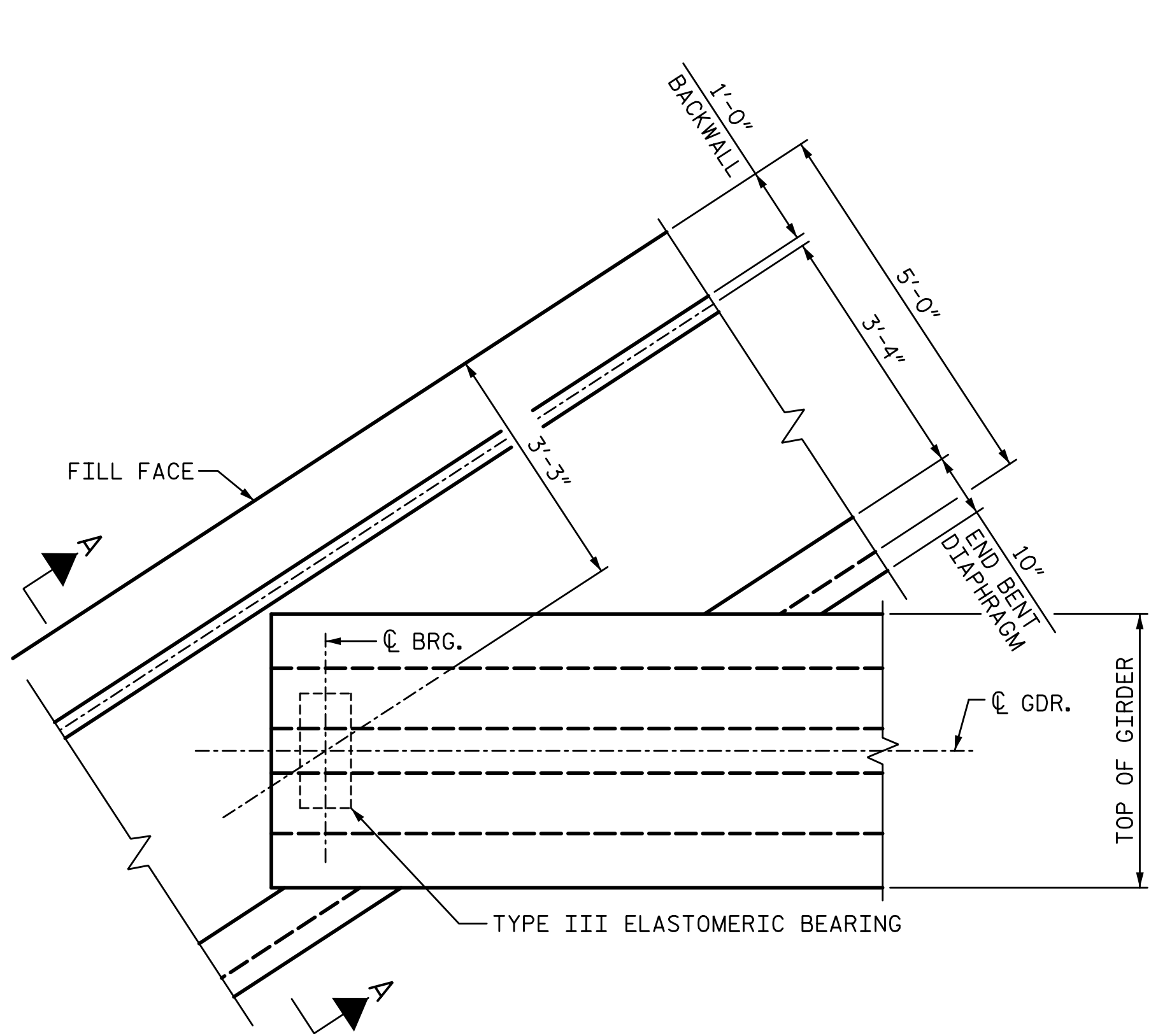
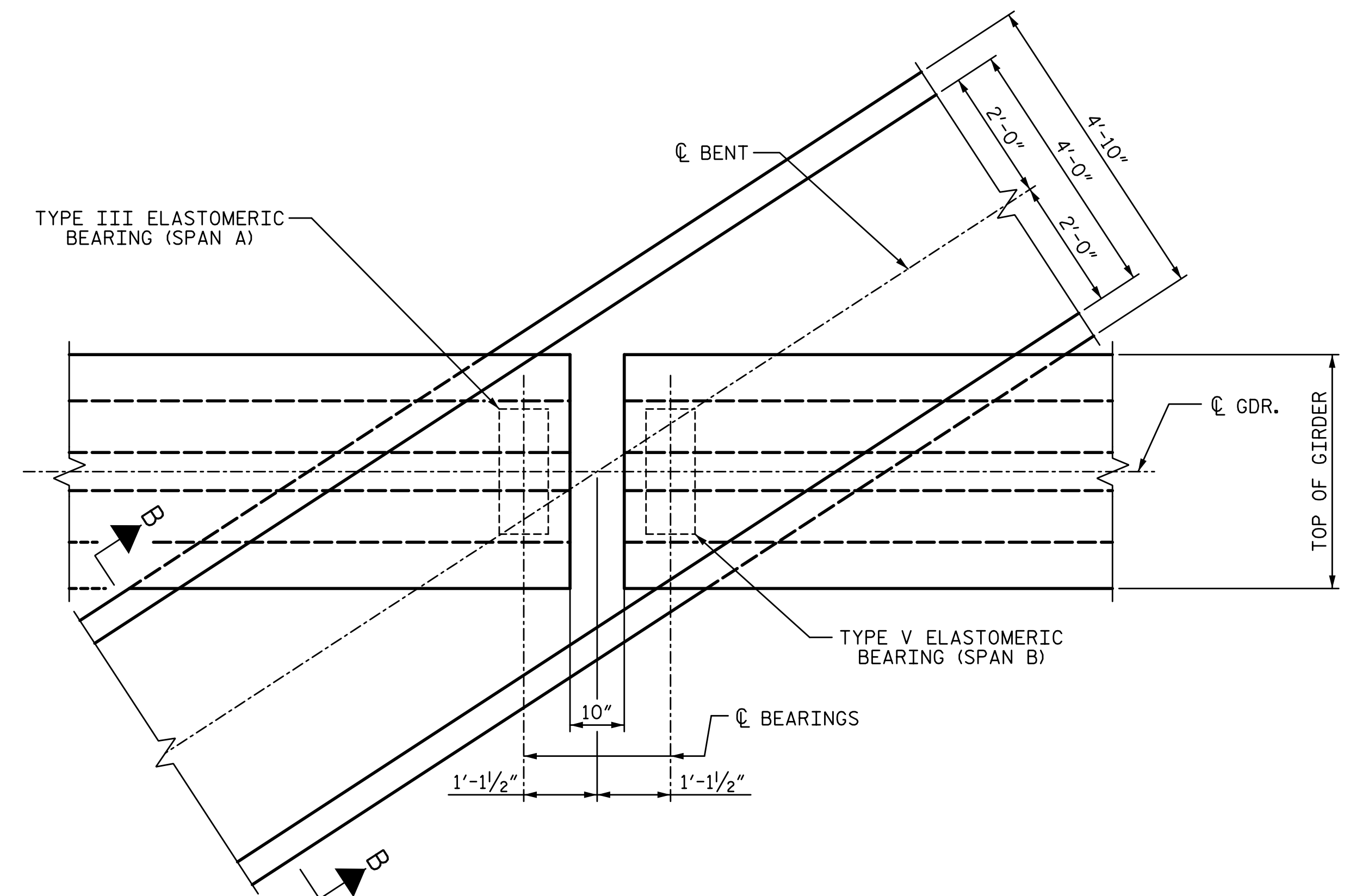


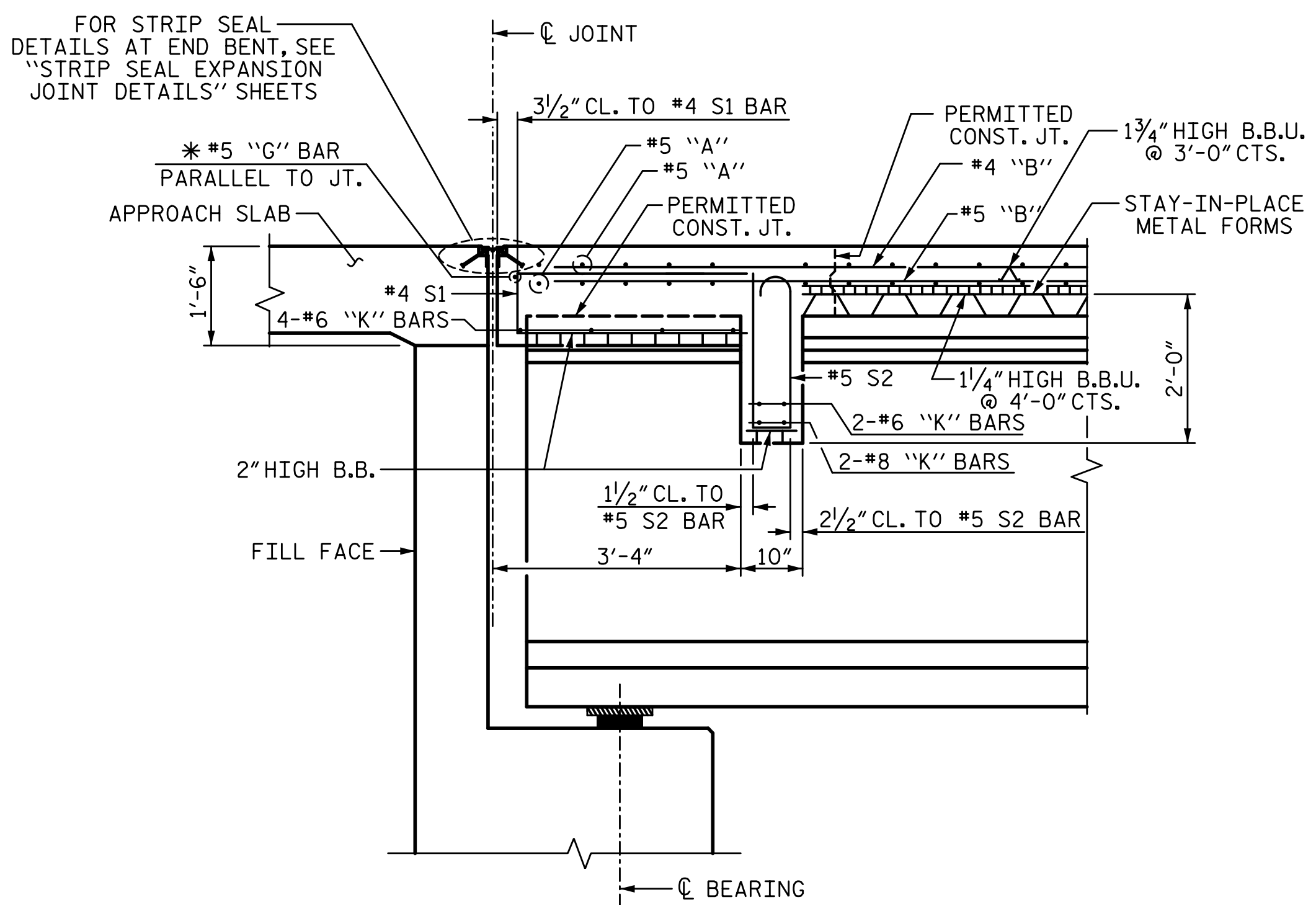
11/21/2022 10:18:35 AM P:\Raleigh\Projects\2018\Division 13 (SEA)\B-5869 (Burke 99)\Structures\Drawings\2\Final\2\B5869_SMU_Ts_110099(2).dgn



PLAN DETAIL OF END BENT
(END BENT 1 SHOWN, END BENT 2 SIMILAR)



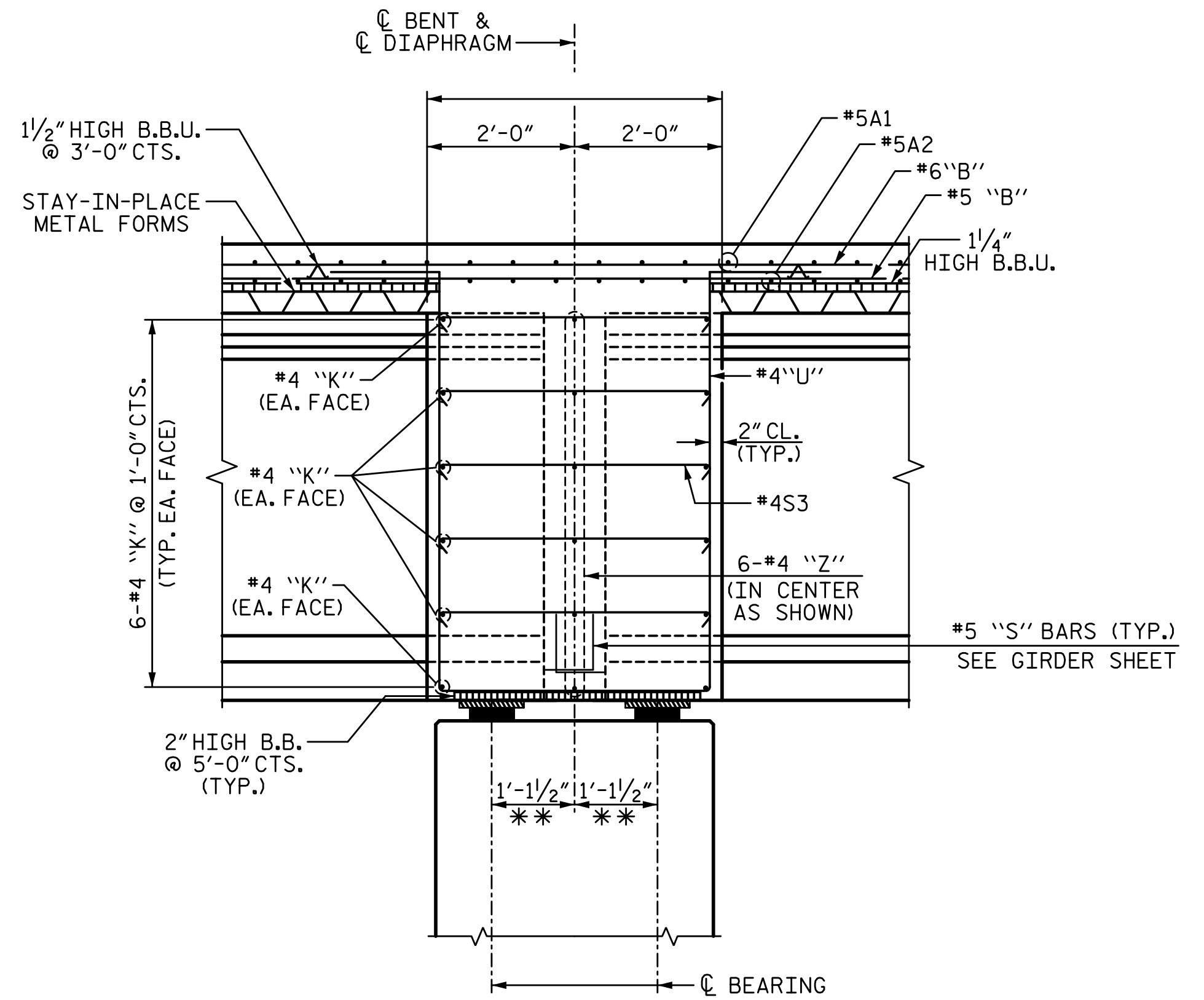
PLAN DETAIL OF INTERIOR BENT
(BENT 1 SHOWN, BENT 2 SIMILAR)
(CONTINUOUS DECK SLAB NOT SHOWN FOR CLARITY)
(*S" BARS IN GIRDER NOT SHOWN FOR CLARITY)



SECTION A-A

SECTION THROUGH END BENT DIAPHRAGM

(DIMENSIONS SHOWN ARE NORMAL TO THE END BENT UNLESS OTHERWISE NOTED)
(END BENT 1 SHOWN, END BENT 2 SIMILAR)
* #5 "G" BARS MAY BE SHIFTED SLIGHTLY, AS NECESSARY, TO CLEAR REINFORCING STEEL AND STIRRUPS.



SECTION B-B

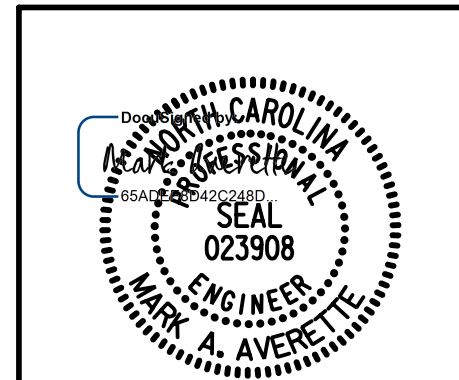
SECTION THROUGH INTERIOR BENT DIAPHRAGM

** MEASURED ALONG CL GIRDER

PROJECT NO. B-5869
BURKE COUNTY
STATION: 21+62.39 -L-

SHEET 3 OF 3

STATE OF NORTH CAROLINA
DEPARTMENT OF TRANSPORTATION
RALEIGH
SUPERSTRUCTURE
TYPICAL SECTION DETAILS



W WGI
5640 Dillard Drive, Suite 200
Cary, NC 27518
LICENSURE NO. C-4434

11/21/2022 7:43 AM PST

DRAWN BY: S.D. COOPER	DATE: 3-2022
CHECKED BY: M. AVERETTE	DATE: 3-2022
DESIGN ENGINEER OF RECORD: M. AVERETTE	DATE: 3-2022

REVISIONS						SHEET NO.
NO.	BY:	DATE:	NO.	BY:	DATE:	S-11
1			3			TOTAL SHEETS
2			4			72

DOCUMENT NOT CONSIDERED FINAL UNLESS ALL SIGNATURES COMPLETED