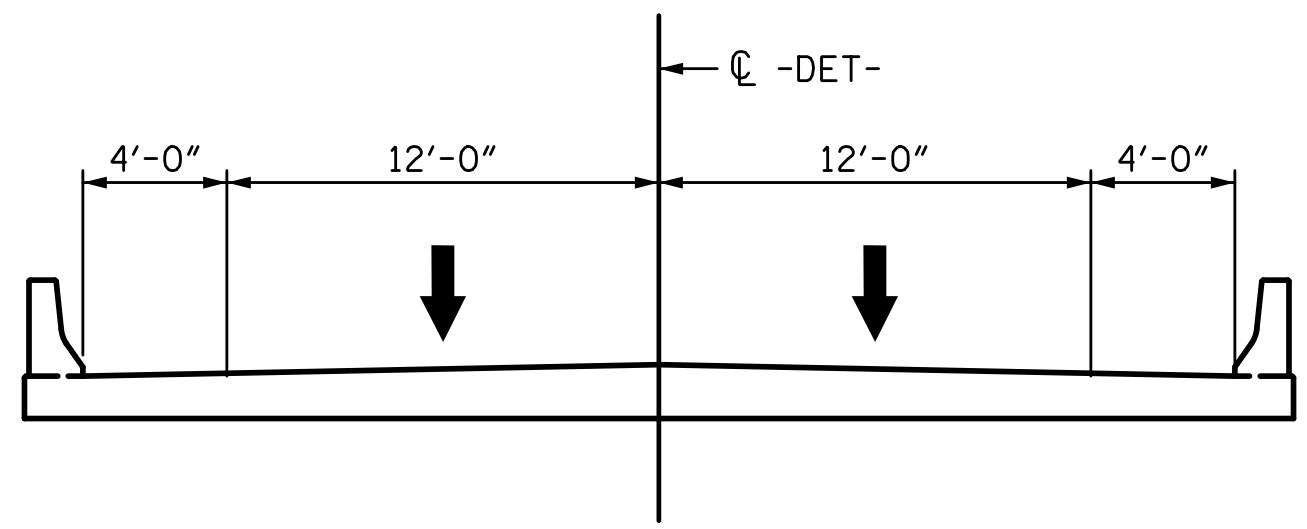
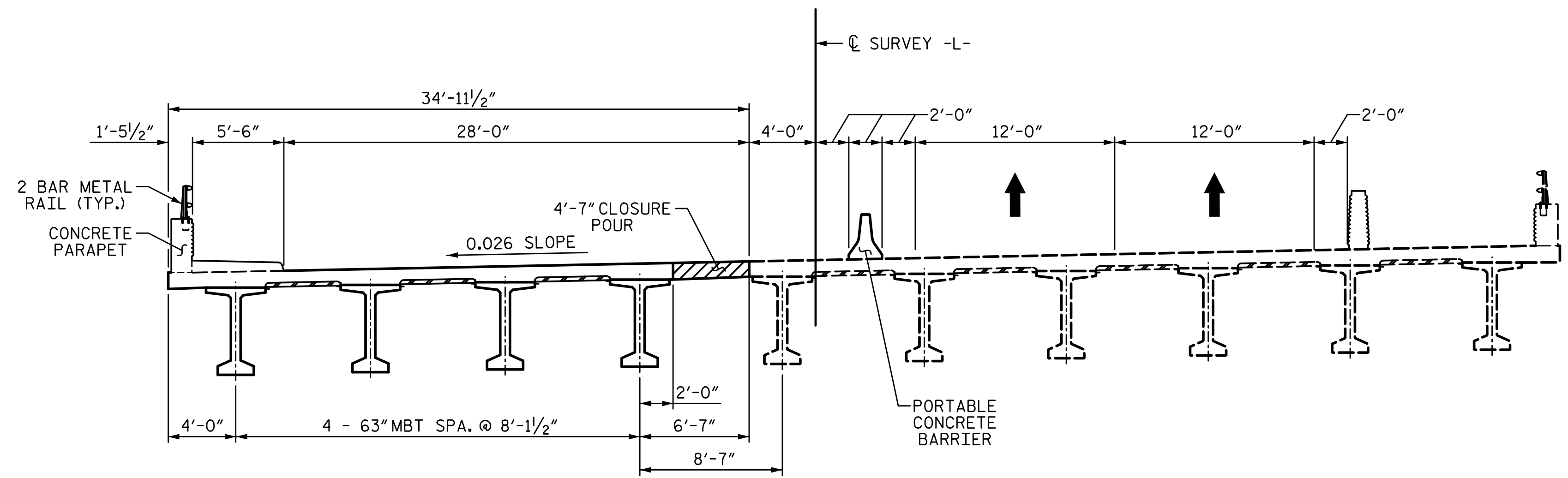


11/21/2022 10:18:33 AM P:\Raleigh\Projects\2018\Division 13 (SEA)\B-5869 (Burke 99)\Structures\Drawings\2\Final\2\B5869_SMJ_PC_110099(2).dgn

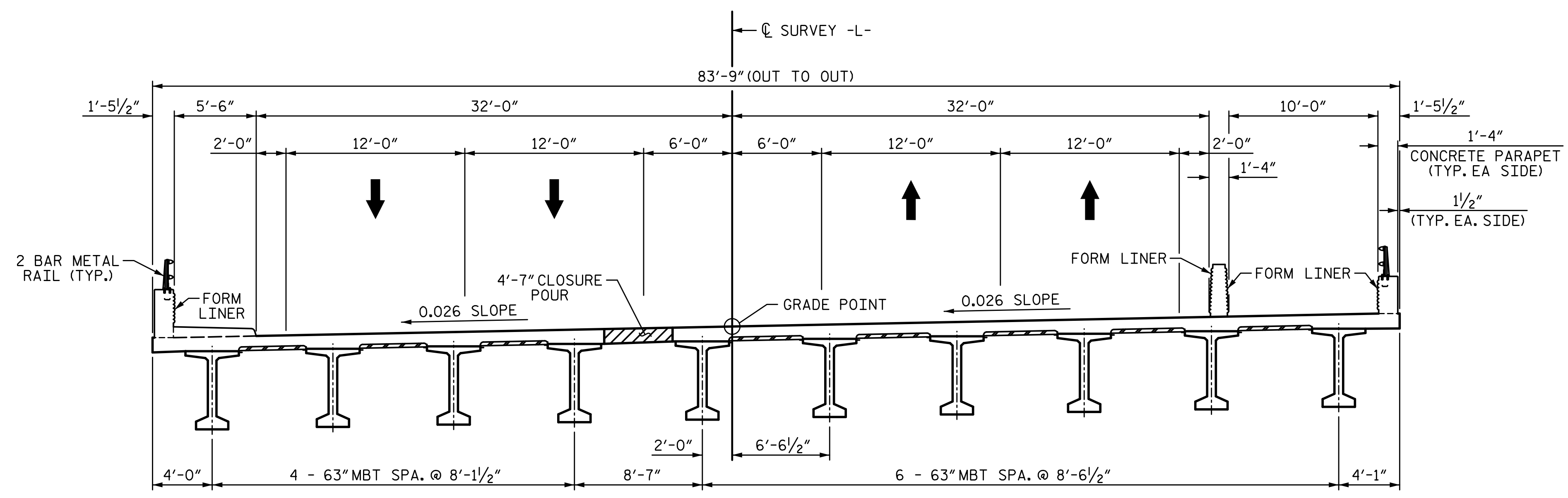


TEMPORARY BRIDGE
(DESIGNED BY OTHERS)



PROPOSED BRIDGE

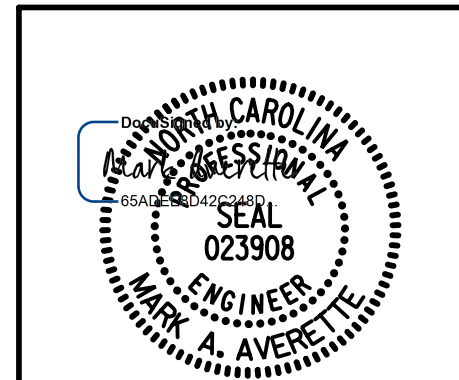
STAGE 3 CONSTRUCTION



FINAL TRAFFIC PATTERN

PROJECT NO. B-5869
 BURKE COUNTY
 STATION: 21+62.39 -L-

SHEET 2 OF 2



STATE OF NORTH CAROLINA
 DEPARTMENT OF TRANSPORTATION
 RALEIGH
 SUPERSTRUCTURE
 CONSTRUCTION
 SEQUENCE

DRAWN BY: S.D. COOPER	DATE: 3-2022
CHECKED BY: M. AVERETTE	DATE: 3-2022
DESIGN ENGINEER OF RECORD: M. AVERETTE	DATE: 3-2022

REVISIONS						SHEET NO.
NO.	BY:	DATE:	NO.	BY:	DATE:	S-7
1			3			TOTAL SHEETS
2			4			72

**DOCUMENT NOT CONSIDERED FINAL
 UNLESS ALL SIGNATURES COMPLETED**