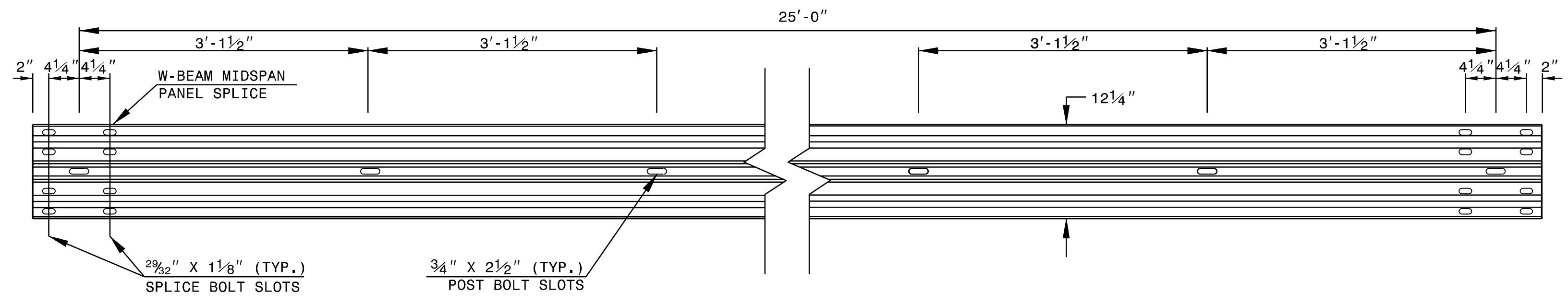


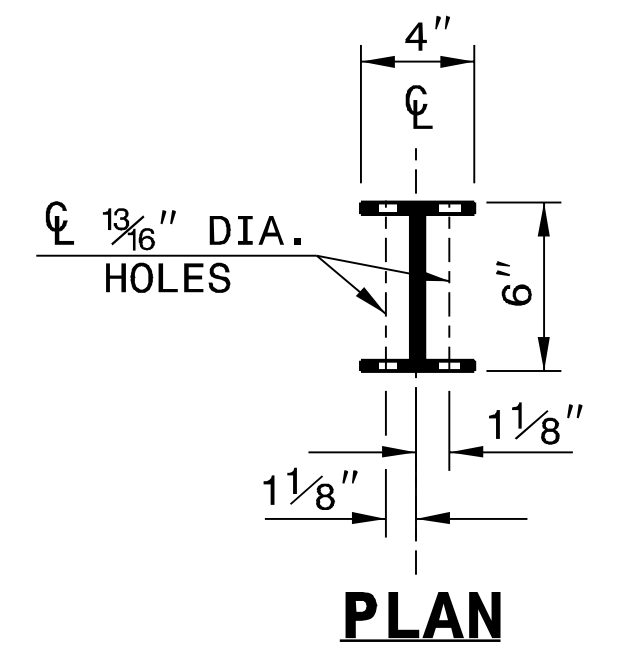
STATE OF NORTH CAROLINA  
DEPT. OF TRANSPORTATION  
DIVISION OF HIGHWAYS  
RALEIGH, N.C.

ROADWAY DETAIL DRAWING FOR  
**GUARDRAIL INSTALLATION**

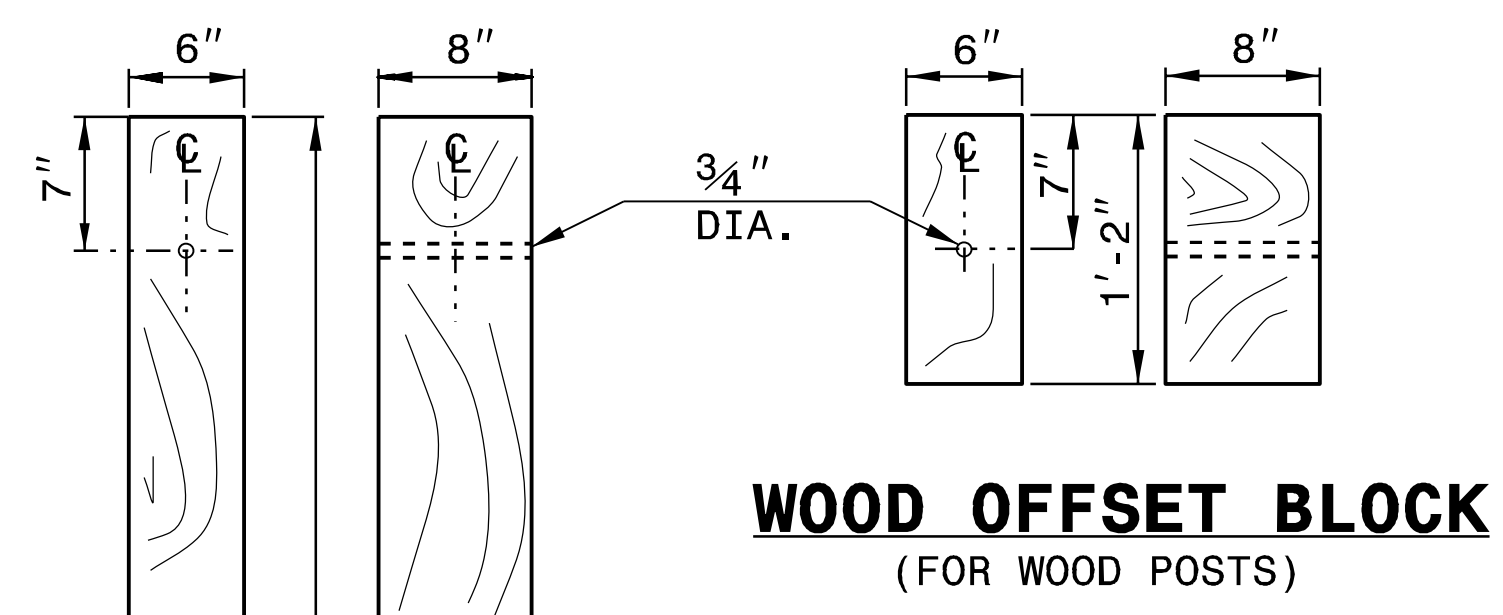
SHEET 6 OF 8  
**862D02**



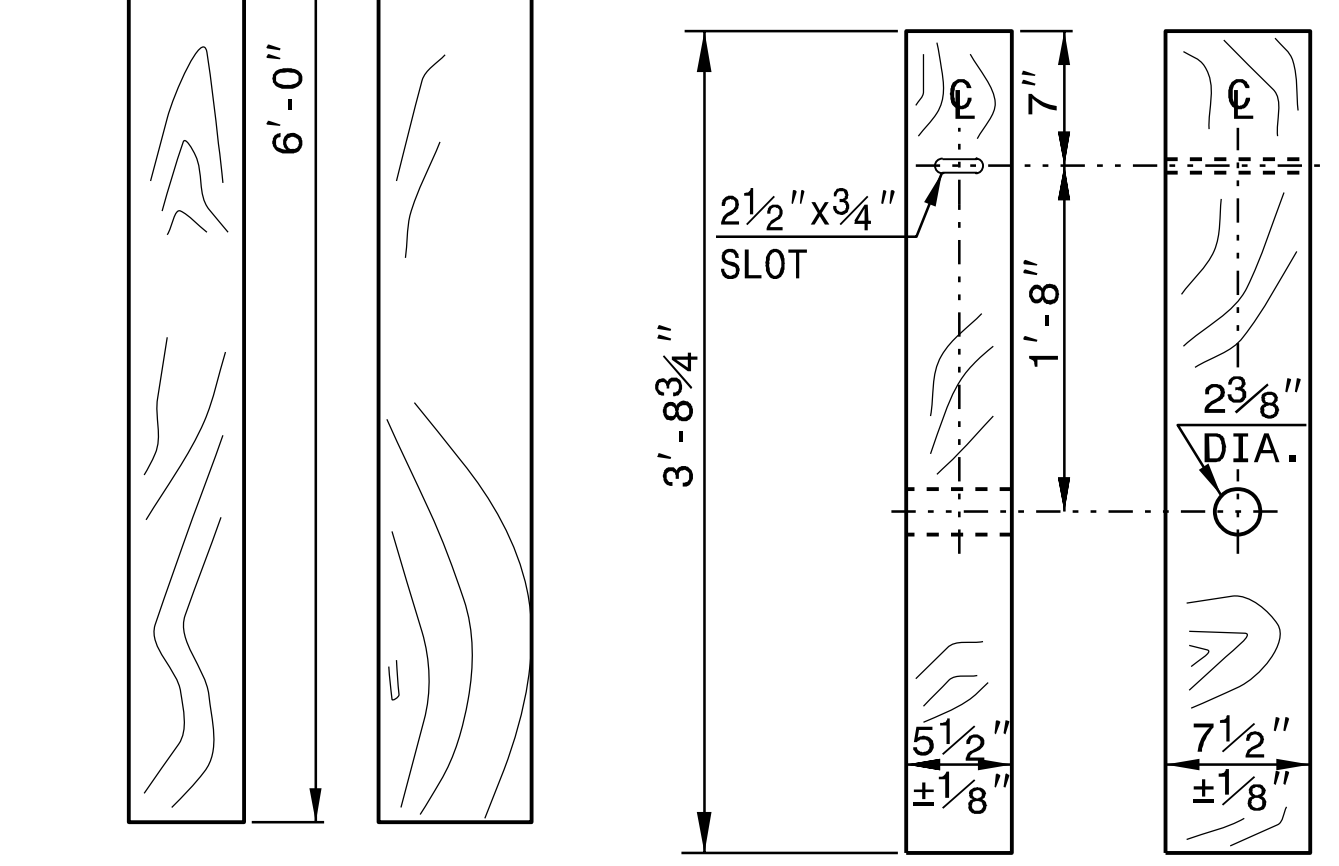
**STANDARD W-BEAM GUARDRAIL**



**PLAN**

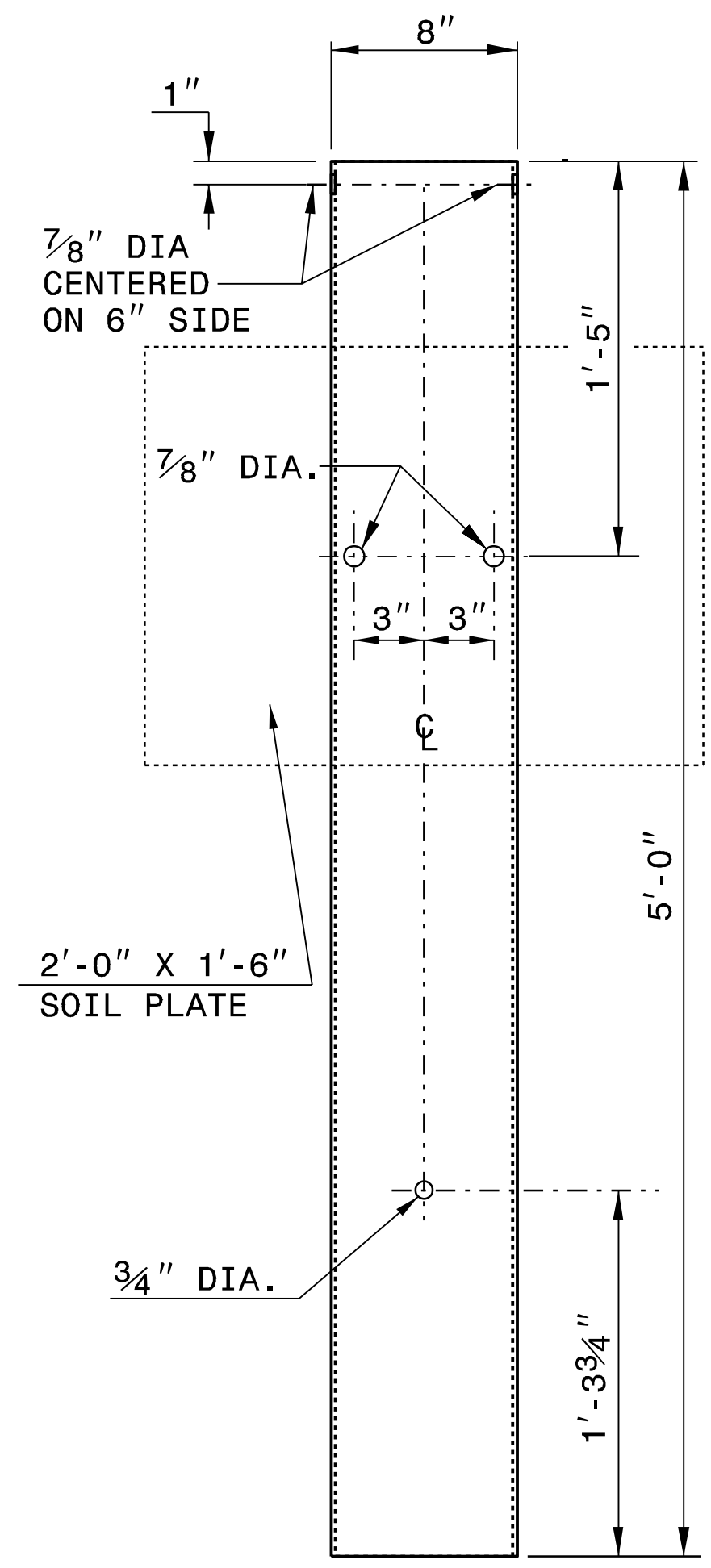


**WOOD OFFSET BLOCK  
(FOR WOOD POSTS)**

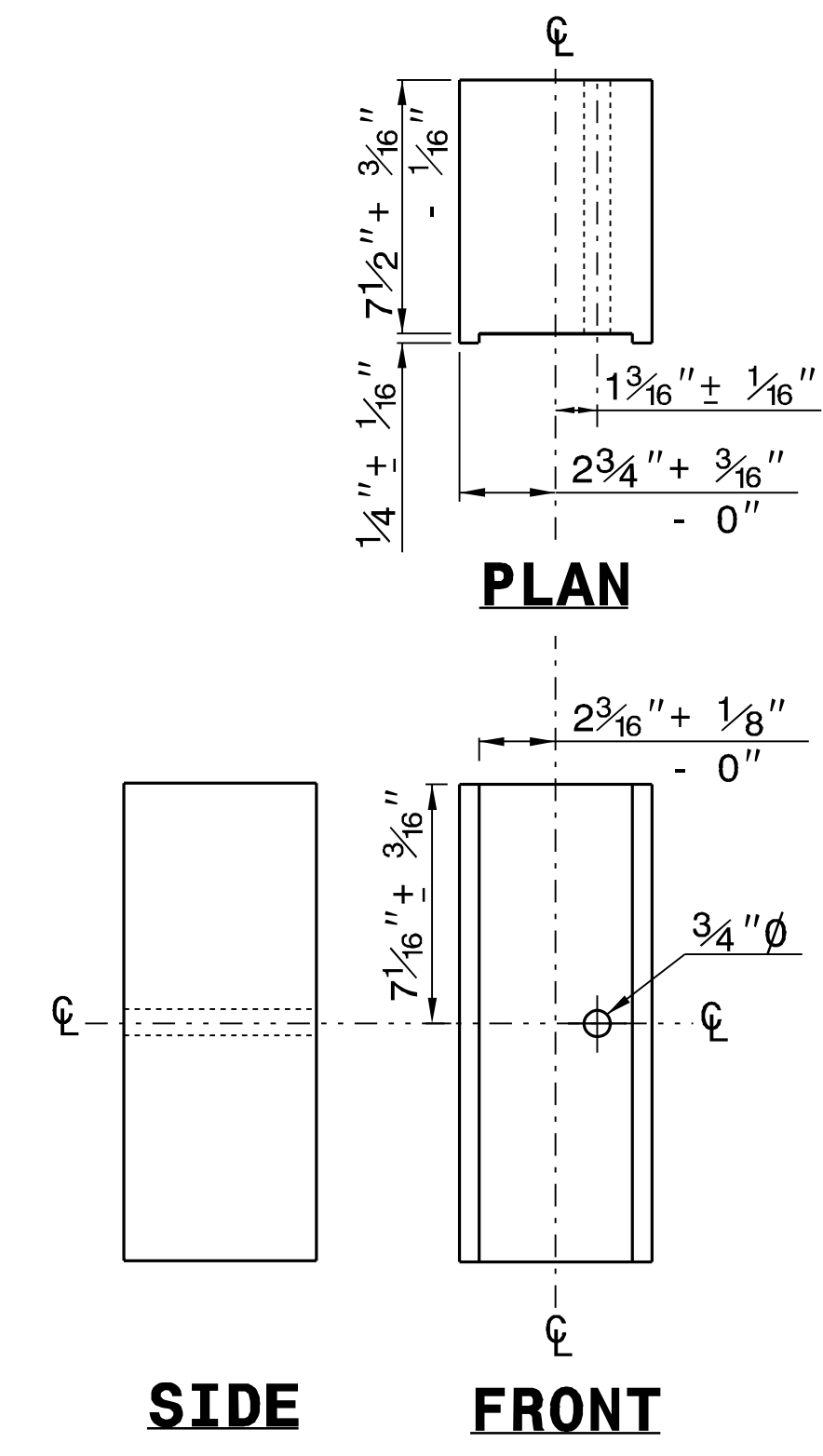


**STANDARD  
LINE POST**

**SHORT WOOD  
BREAKAWAY POST**



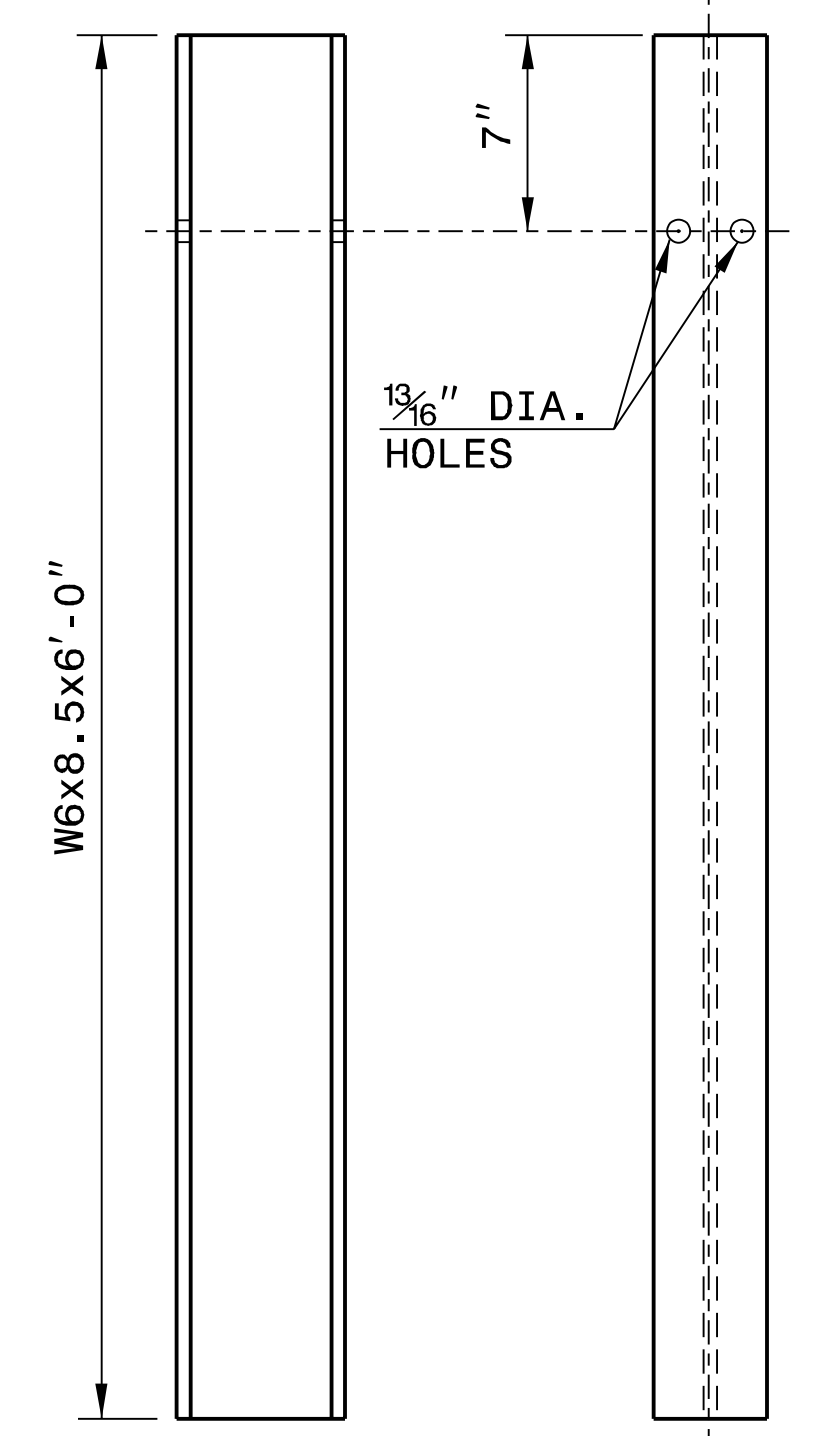
**STEEL TUBE  
TS 6"x8"x0.1875"**



**SIDE**

**FRONT**

**ROUTED  
OFFSET BLOCK**



**SIDE**

**FRONT**

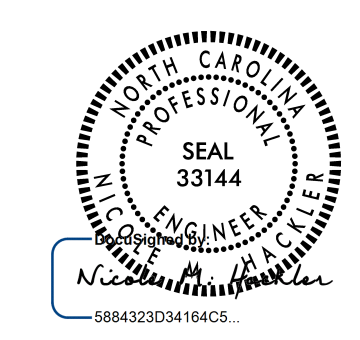
**"W6" STEEL POST**

**SYSTEM PARTS**

STATE OF NORTH CAROLINA  
DEPT. OF TRANSPORTATION  
DIVISION OF HIGHWAYS  
RALEIGH, N.C.

ROADWAY DETAIL DRAWING FOR  
**GUARDRAIL INSTALLATION**

SHEET 6 OF 8  
**862D02**



**CONTRACTS STANDARDS  
AND DEVELOPMENT UNIT**  
Office 919-707-6950 FAX 919-250-4119

**SEE TITLE BLOCK**

ORIGINAL BY: J. HOWERTON DATE: 3-7-2018  
MODIFIED BY: DATE: \_\_\_\_\_  
CHECKED BY: DATE: \_\_\_\_\_  
FILE SPEC.: \_\_\_\_\_