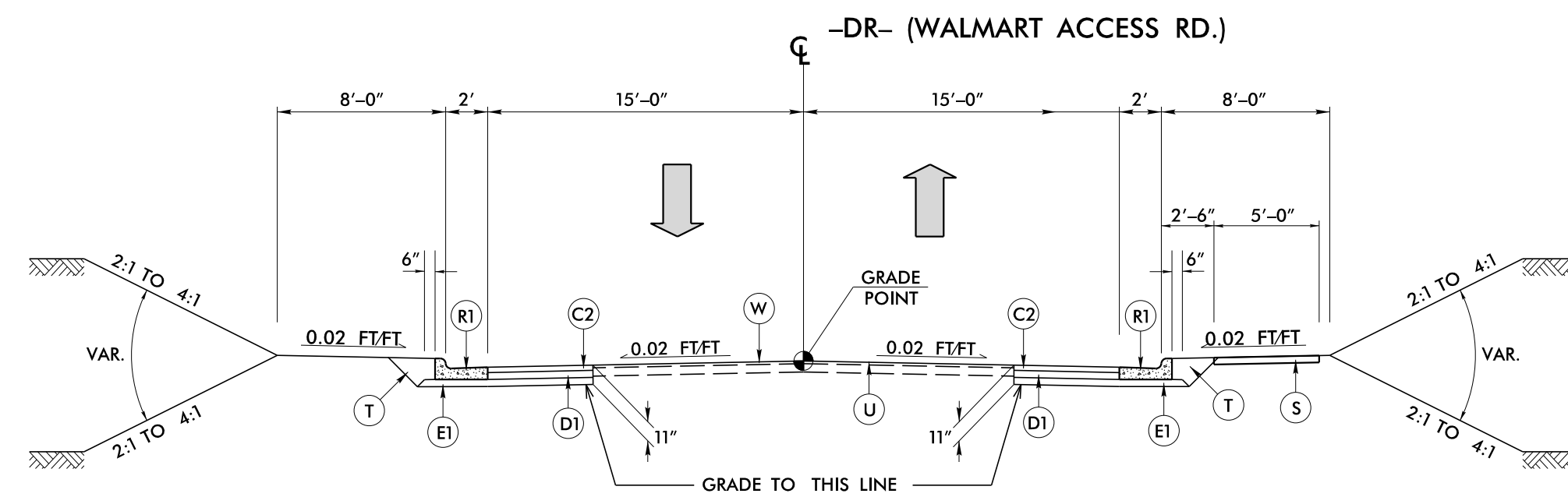
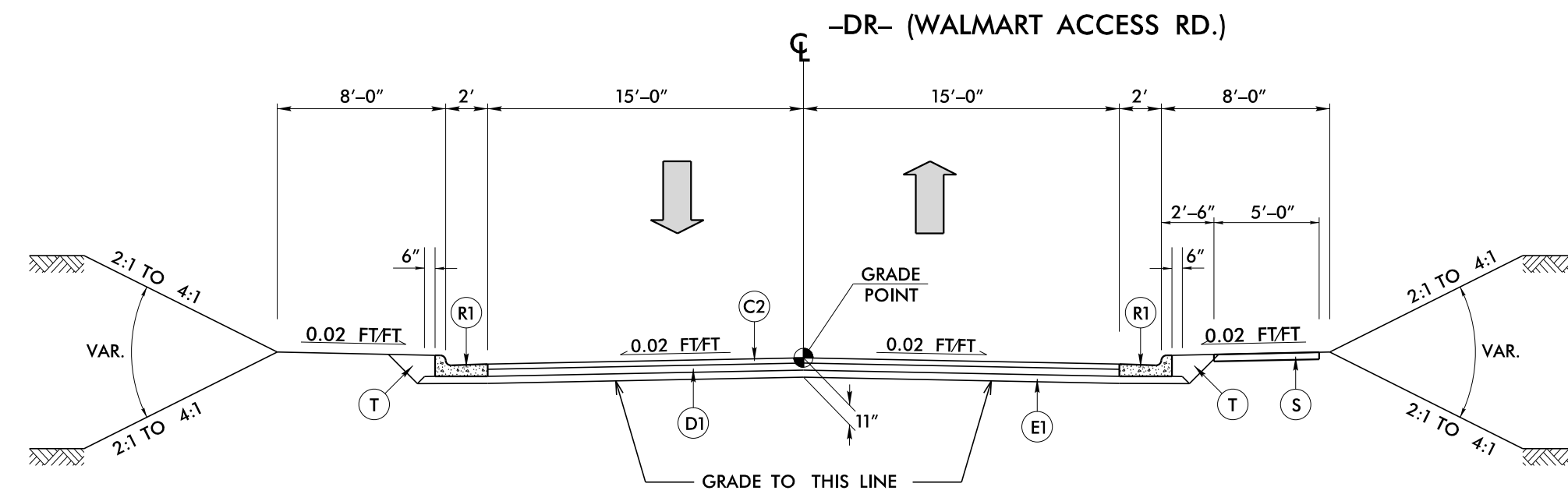


PROJECT REFERENCE NO. B-5869	SHEET NO. 2A-2
RW SHEET NO.	
ROADWAY DESIGN ENGINEER SEAL 27391 MICHAEL T. PERKINS	PAVEMENT DESIGN ENGINEER SEAL 022896 CLAYTON S. MORRISON
MOTT MACDONALD I & E, LLC LICENSE NO. F-0669	
DOCUMENT NOT CONSIDERED FINAL UNLESS ALL SIGNATURES COMPLETED	
Prepared in the Office of:	MOTT MACDONALD I & E, LLC 7621 Purfoy Rd., Suite 115 Fuquay-Varina, NC 27526 www.mottmac.com/americas LICENSE NO. F-0669



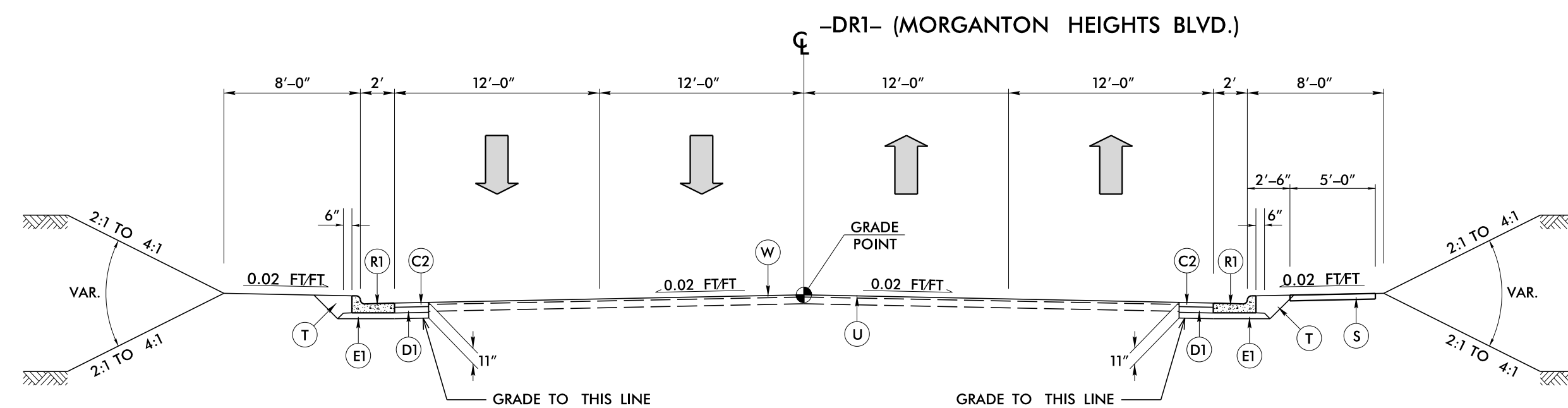
ROADWAY TYPICAL SECTION NO. 3

USE TYPICAL SECTION NO. 3:
-DR- STA 12+98.00 TO 14+00.00



ROADWAY TYPICAL SECTION NO. 4

USE TYPICAL SECTION NO. 4:
-DR- STA 10+30.35 TO 12+98.00



ROADWAY TYPICAL SECTION NO. 5

USE TYPICAL SECTION NO. 5:
-DR1- STA 10+48.02 TO 13+00.00

PAVEMENT SCHEDULE	
C1	1.5" S9.5B
C2	3" S9.5B
C3	VAR. DEPTH S9.5B
D1	4" I19.0C
D2	VAR. DEPTH I19.0C
E1	4" B25.0C
E2	VAR. DEPTH B25.0C
J	8" AGGREGATE BASE COURSE
P	PRIME COAT
R1	2'-6" CURB AND GUTTER
R2	MONOLITHIC CONCRETE ISLAND (KEYED IN)
S	4" CONCRETE SIDEWALK
T	EARTH MATERIAL
U	EXISTING PAVEMENT
V1	INCIDENTAL MILLING
V2	1 1/2" MILLING
W	WEDGING

NOTE: PAVEMENT EDGE SLOPES ARE 1:1 LESS SHOWN OTHERWISE.