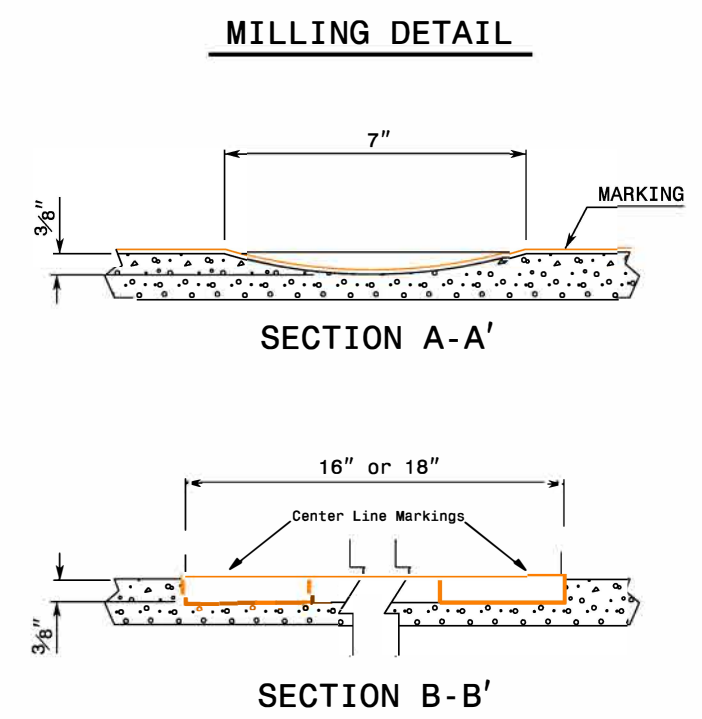
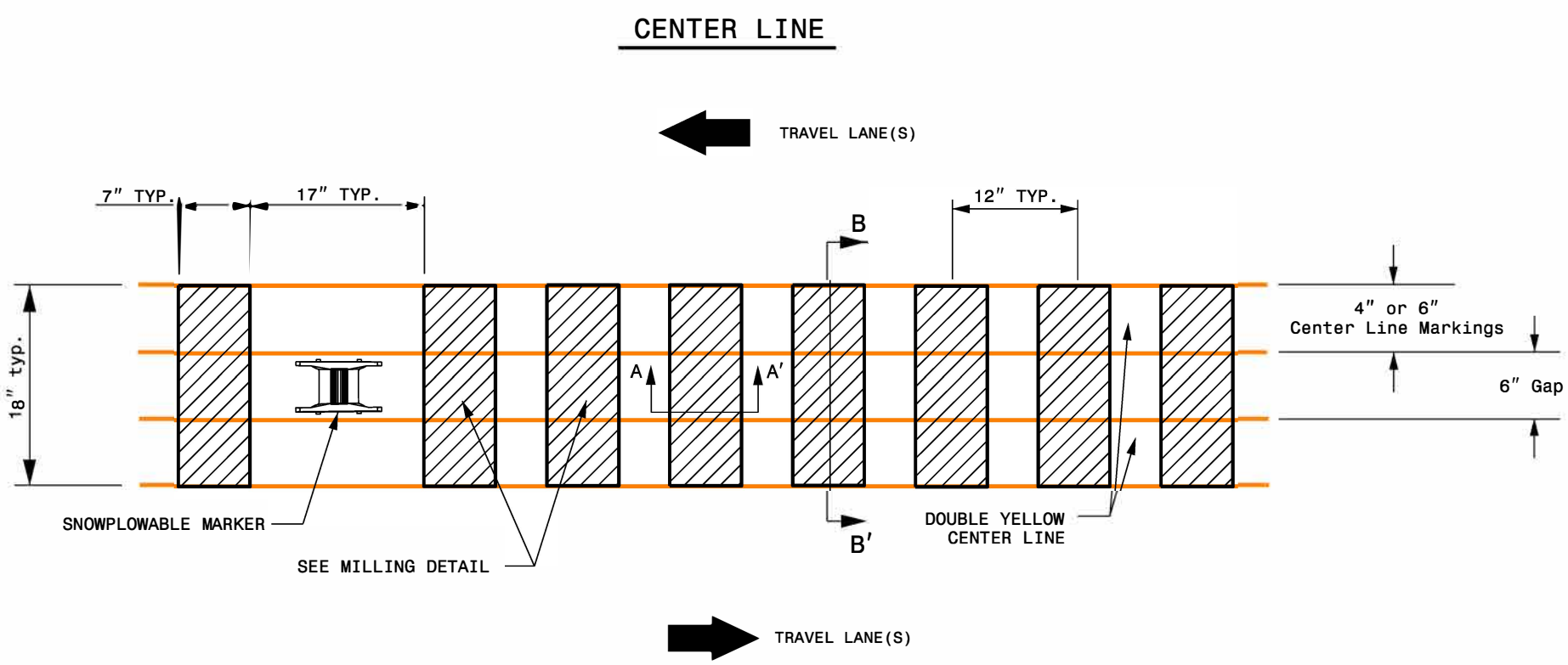
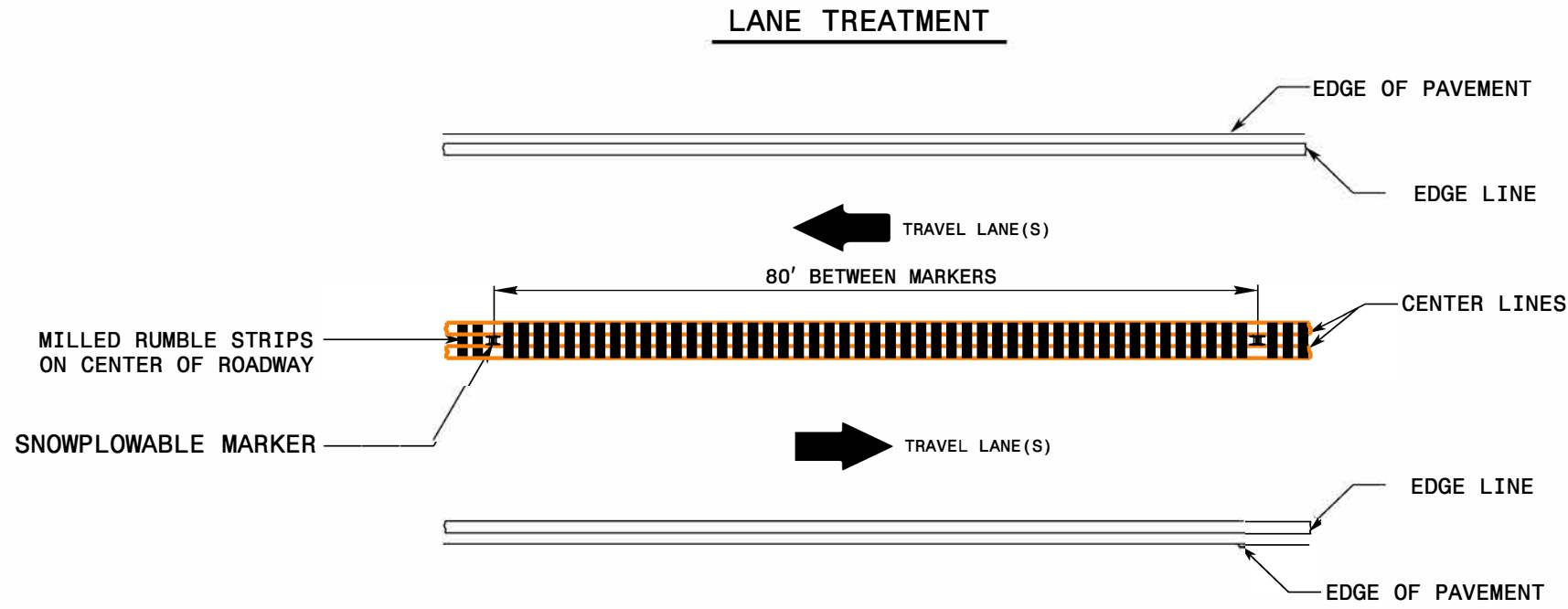


PROJECT NO.	SHEET NO.	TOTAL SHEETS
2023CPT.13.02.10121, 2023CPT.13.02.20121	16	

STATE OF NORTH CAROLINA
DEPT. OF TRANSPORTATION
DIVISION OF HIGHWAYS
RALEIGH, N.C.

STATE OF NORTH CAROLINA
DEPT. OF TRANSPORTATION
DIVISION OF HIGHWAYS
RALEIGH, N.C.



ENGLISH DETAIL DRAWING FOR
RUMBLE STRIPS / STRIPES
TRADITIONAL CENTERLINE RUMBLE STRIP WITH SNOWPLOWABLE MARKERS

ENGLISH DETAIL DRAWING FOR
RUMBLE STRIPS / STRIPES
TRADITIONAL CENTERLINE RUMBLE STRIP WITH SNOWPLOWABLE MARKERS

NOTES:

- 1) REMOVE ALL DEBRIS FROM THE MILLINGS JUST PRIOR TO PLACING ANY PAVEMENT MARKINGS.
- 2) ENSURE GLASS BEADS ARE SPREAD UNIFORMLY OVER THE ENTIRE SURFACE OF THE PAVEMENT MARKING MATERIAL.
- 3) INSTALL SNOWPLOWABLE MARKERS AT APPROXIMATELY 80' INCREMENTS. DO NOT MILL RUMBLE STRIPS IN SECTION WHERE SNOWPLOWABLE MARKERS ARE INSTALLED.