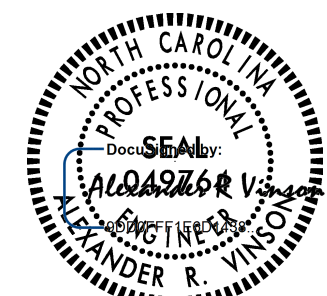
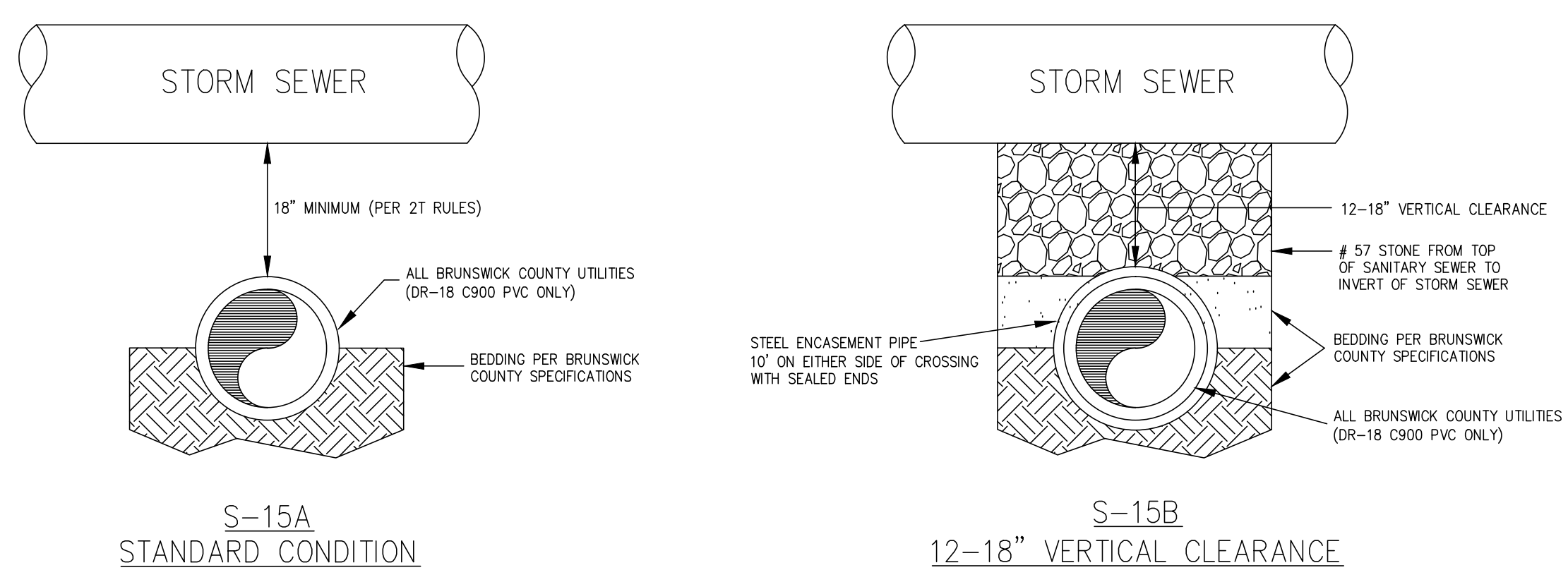


5/14/99

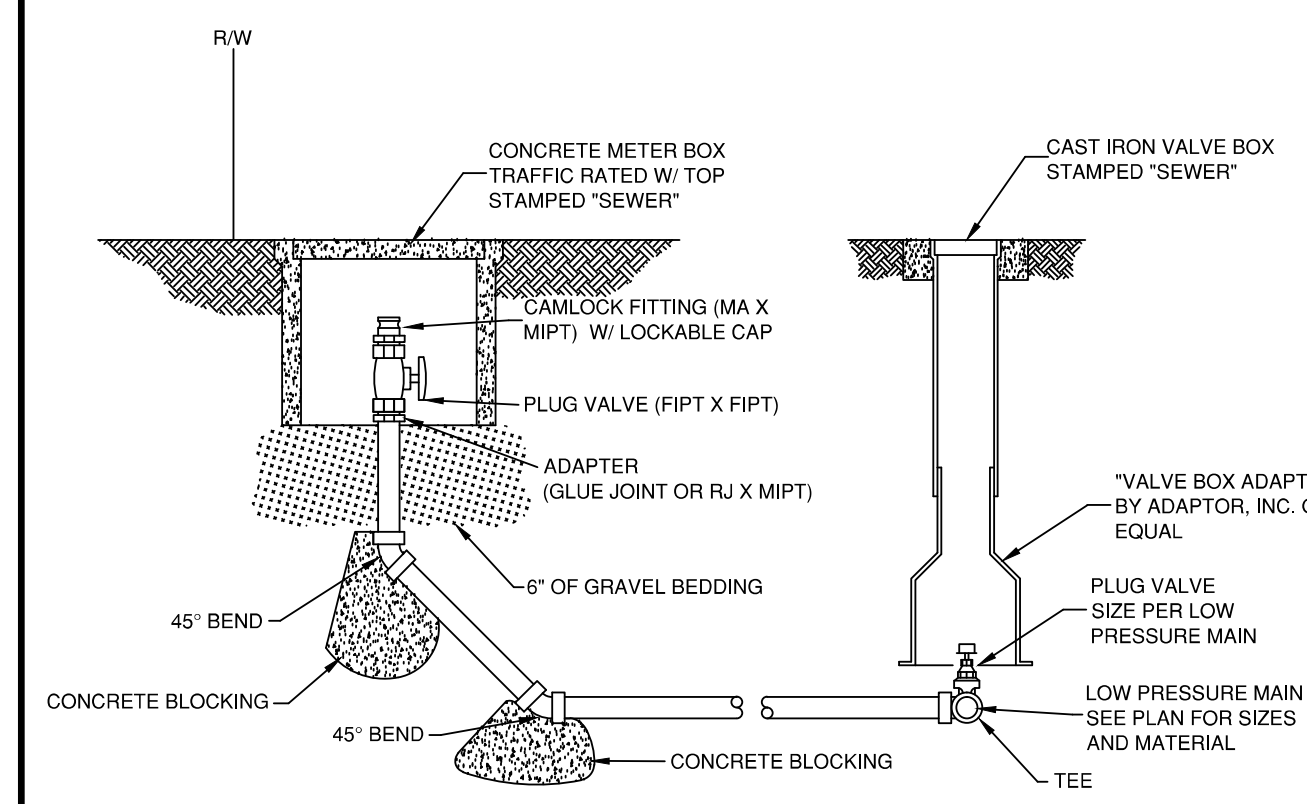
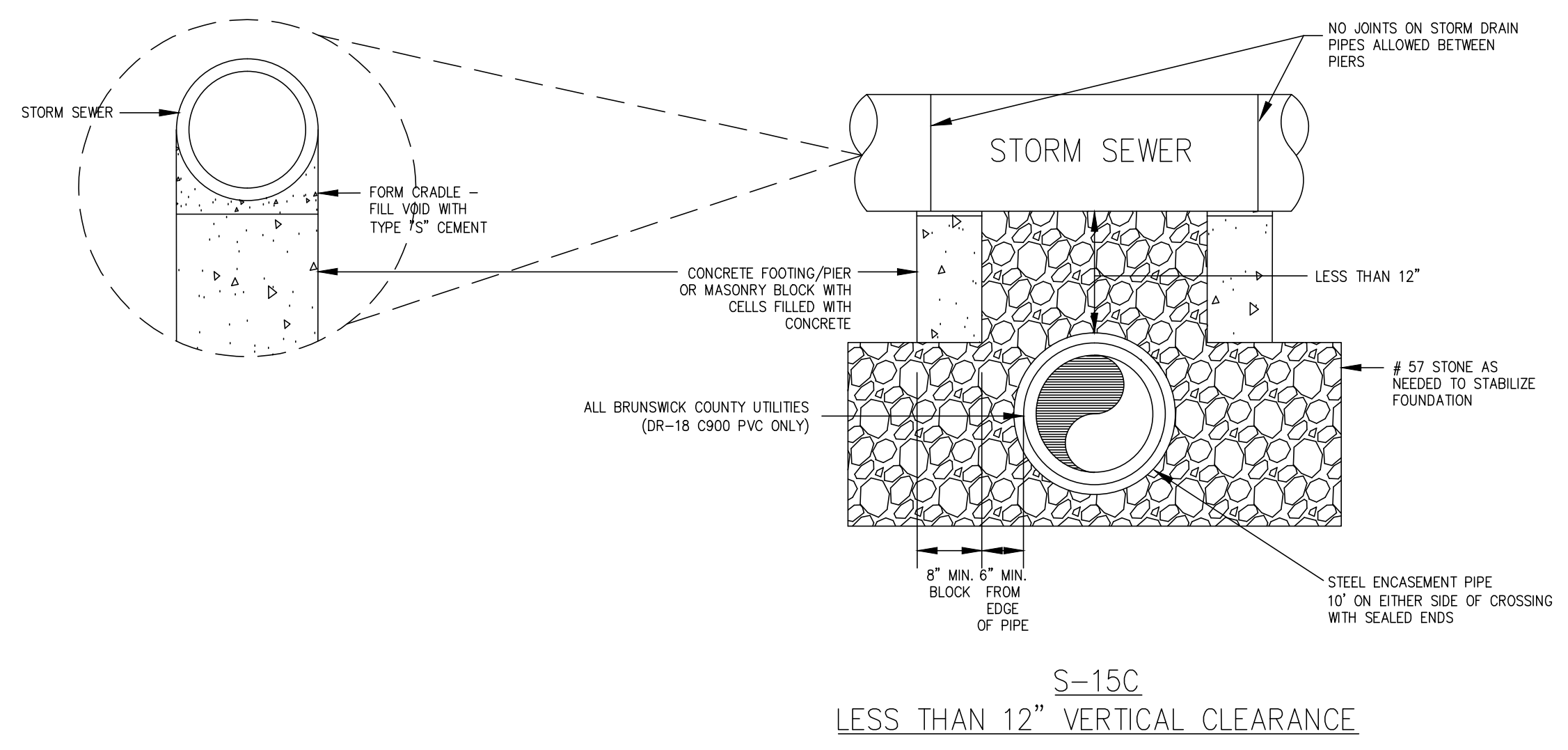
PROJECT REFERENCE NO.	SHEET NO.
BR-0160	UC-3B
DESIGNED BY: ARV	
DRAWN BY: ARV	
CHECKED BY: RLB	
APPROVED BY:	
REVISED:	
NORTH CAROLINA DEPARTMENT OF TRANSPORTATION	
UTILITIES ENGINEERING SEC. PHONE: (919) 707-6690 FAX: (919) 250-4151	
UTILITY CONSTRUCTION PLANS ONLY	

# PROJECT TYPICAL DETAILS

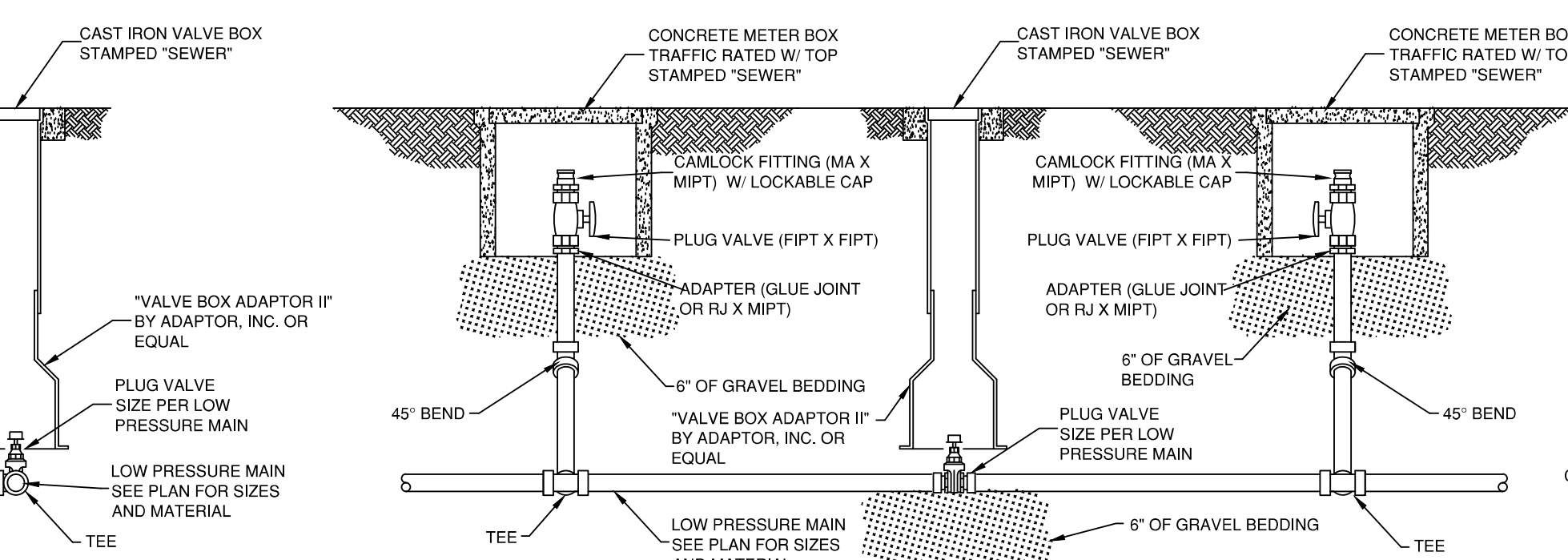
## UTILITY CONSTRUCTION



### GRAVITY SEWER CROSSING BELOW STORM SEWER DETAIL S-15

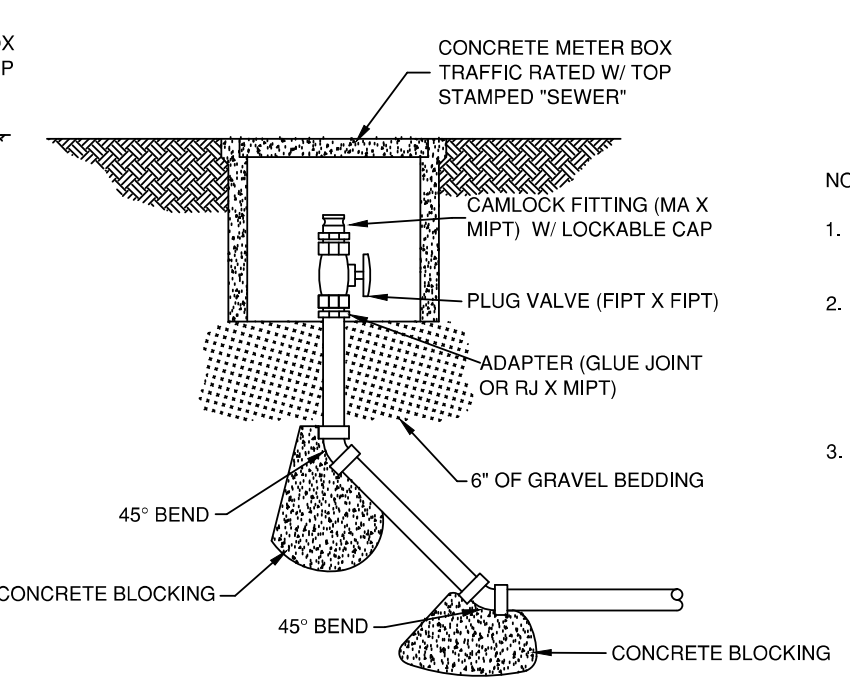


SECTION VIEW A-A

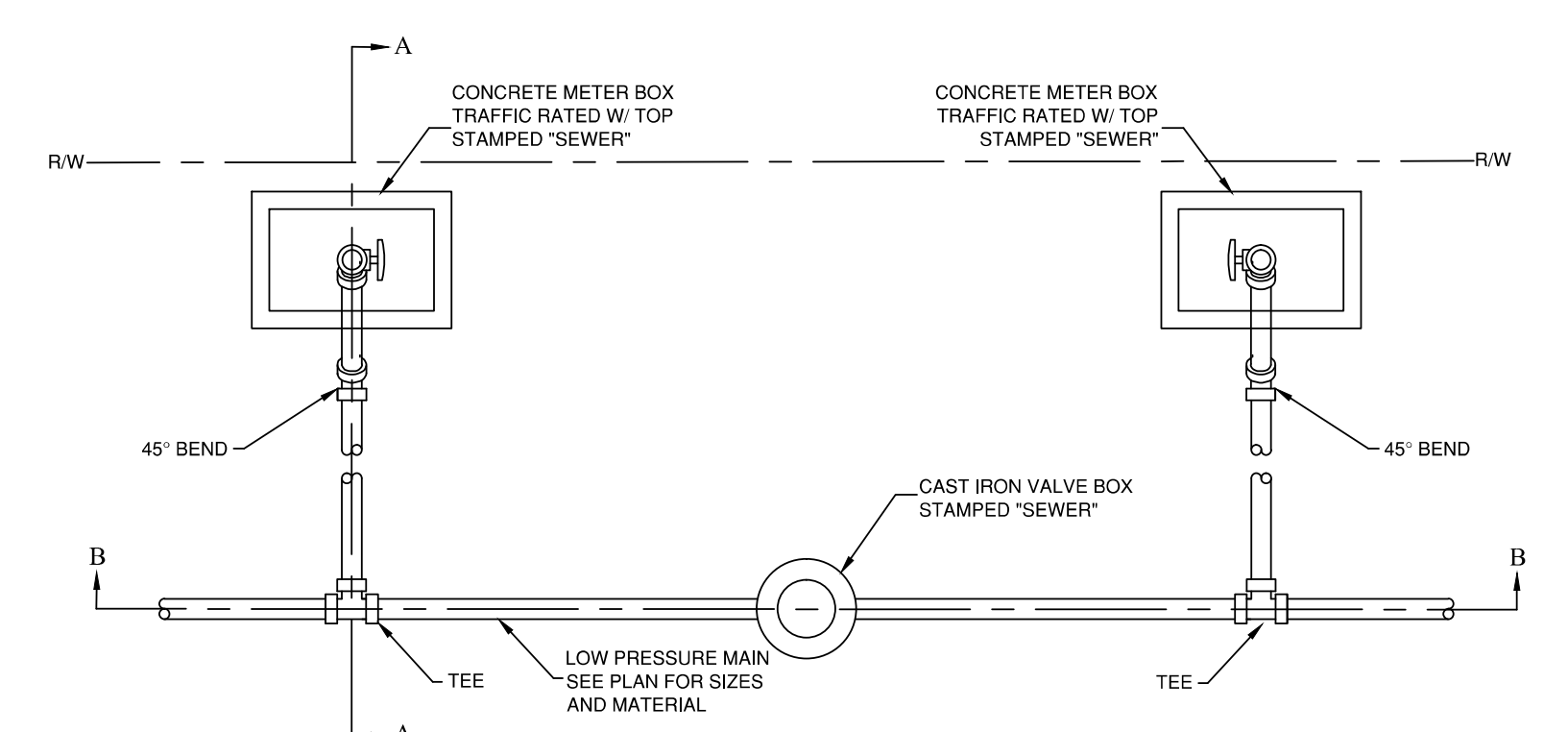


SECTION VIEW B-B

IN-LINE PRESSURE SEWER CLEANOUT



END OF LINE PRESSURE SEWER CLEANOUT



PLAN VIEW

LOW PRESSURE SEWER CLEANOUT  
DETAIL S-19

- NOTE:
- GASKETED OR GLUE JOINT PIPE PER APPROVED PLANS.
  - RESTRAINED JOINTS SHALL BE INSTALLED ON GASKETED PIPE PER BRUNSWICK COUNTY TECHNICAL SPECIFICATIONS. THRUST BLOCKING IS MANDATORY.

07-DEC-2021 14:36  
R:\Utilities\Engineering\UC\Proj\BR-0160\_UC\_details.dgn  
\$\$\$\$\$USERNAME\$\$\$\$\$