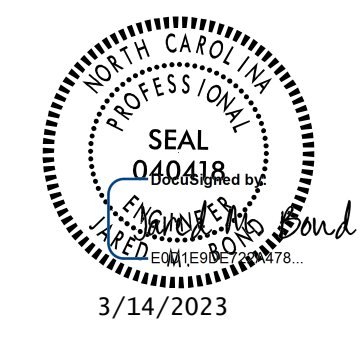

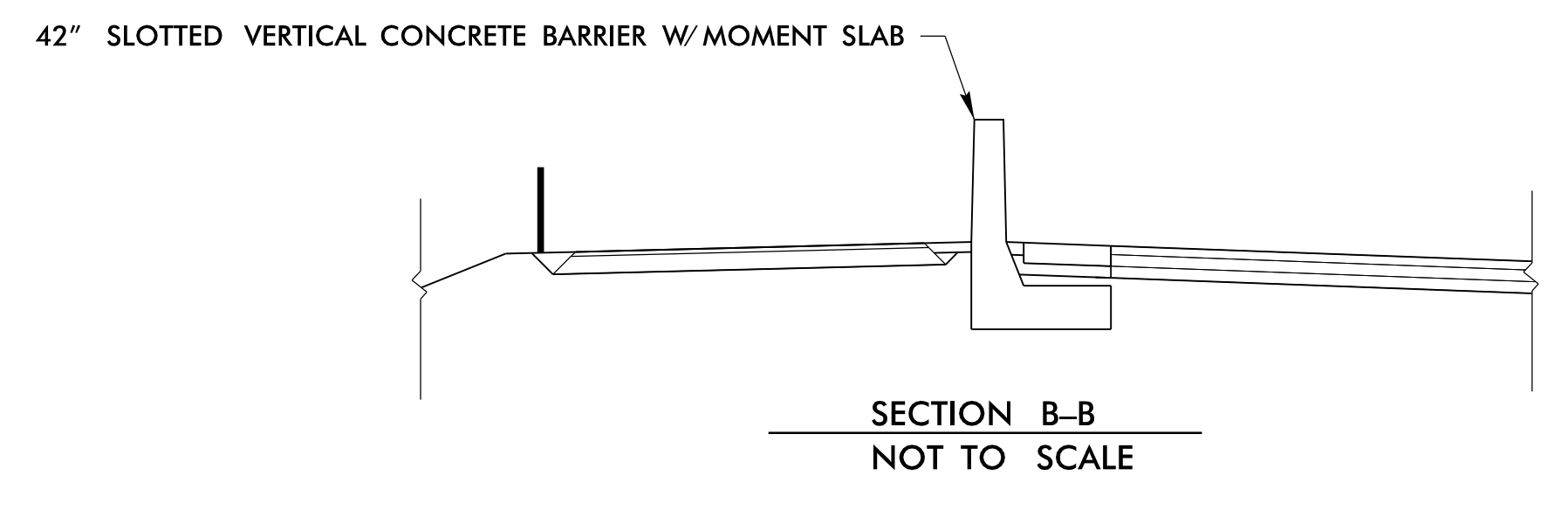
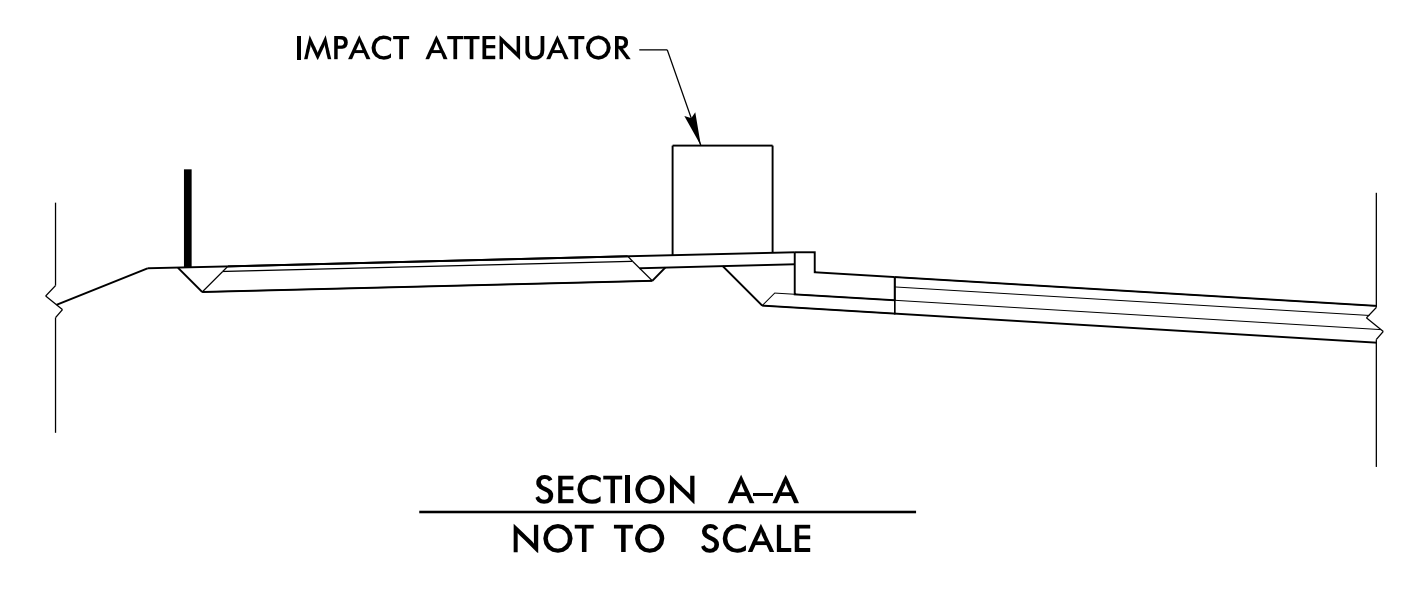
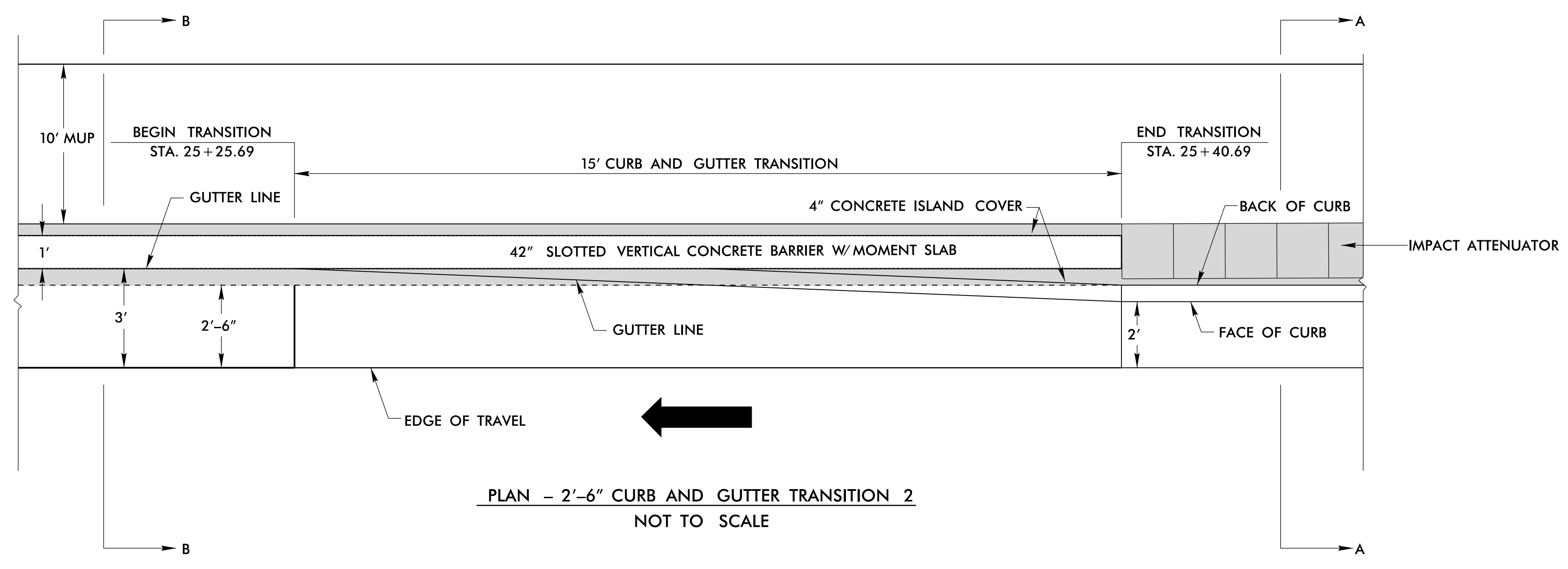
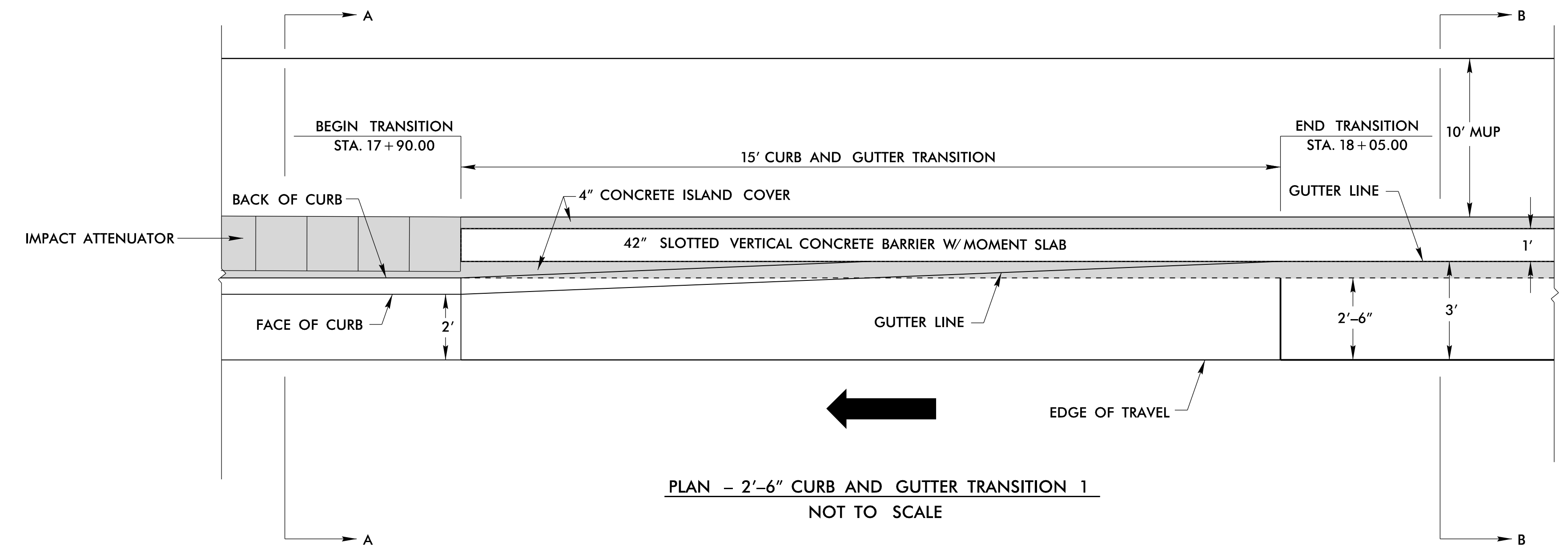


8/17/99

PROJECT REFERENCE NO. <i>BR-0160</i>	SHEET NO. <i>2B-1</i>
RW SHEET NO.	
ROADWAY DESIGN ENGINEER	
	
<p>DOCUMENT NOT CONSIDERED FINAL UNLESS ALL SIGNATURES COMPLETED</p>	
	



14-MAR-2023 11:24
R:\Roadway\Projects\BR0160_Rdwy_Type_2B-1.dgn
RUSHER