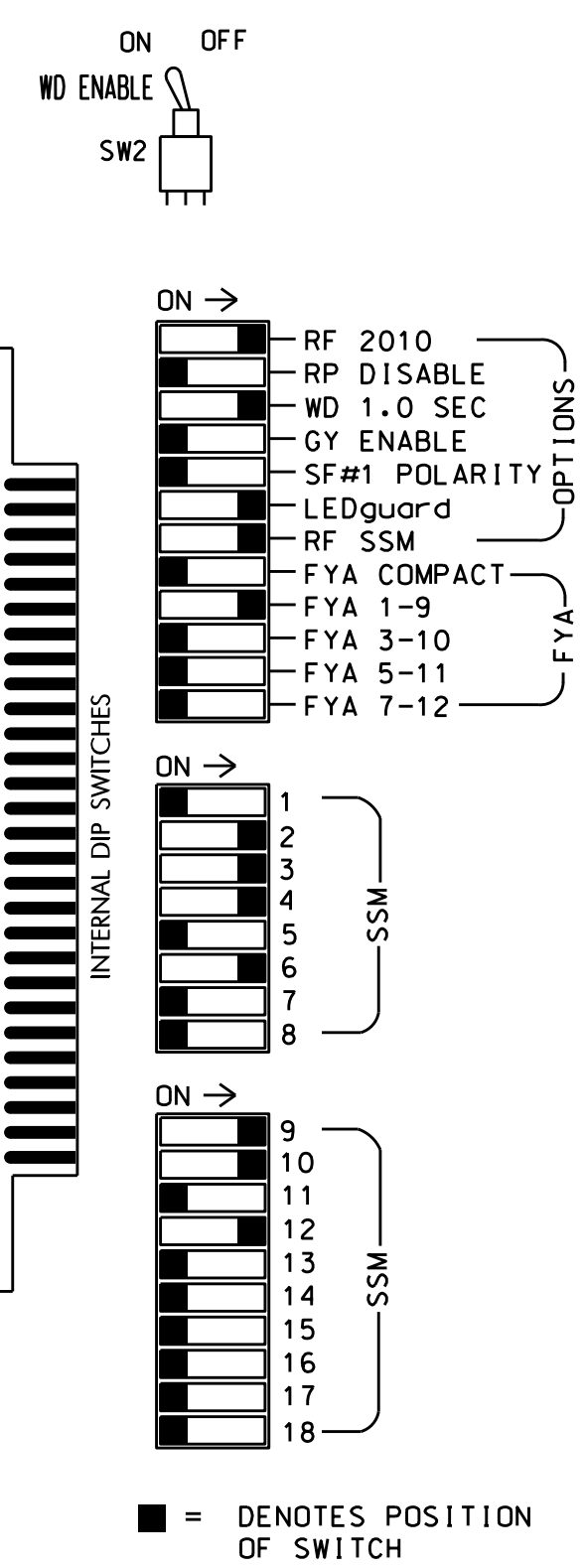
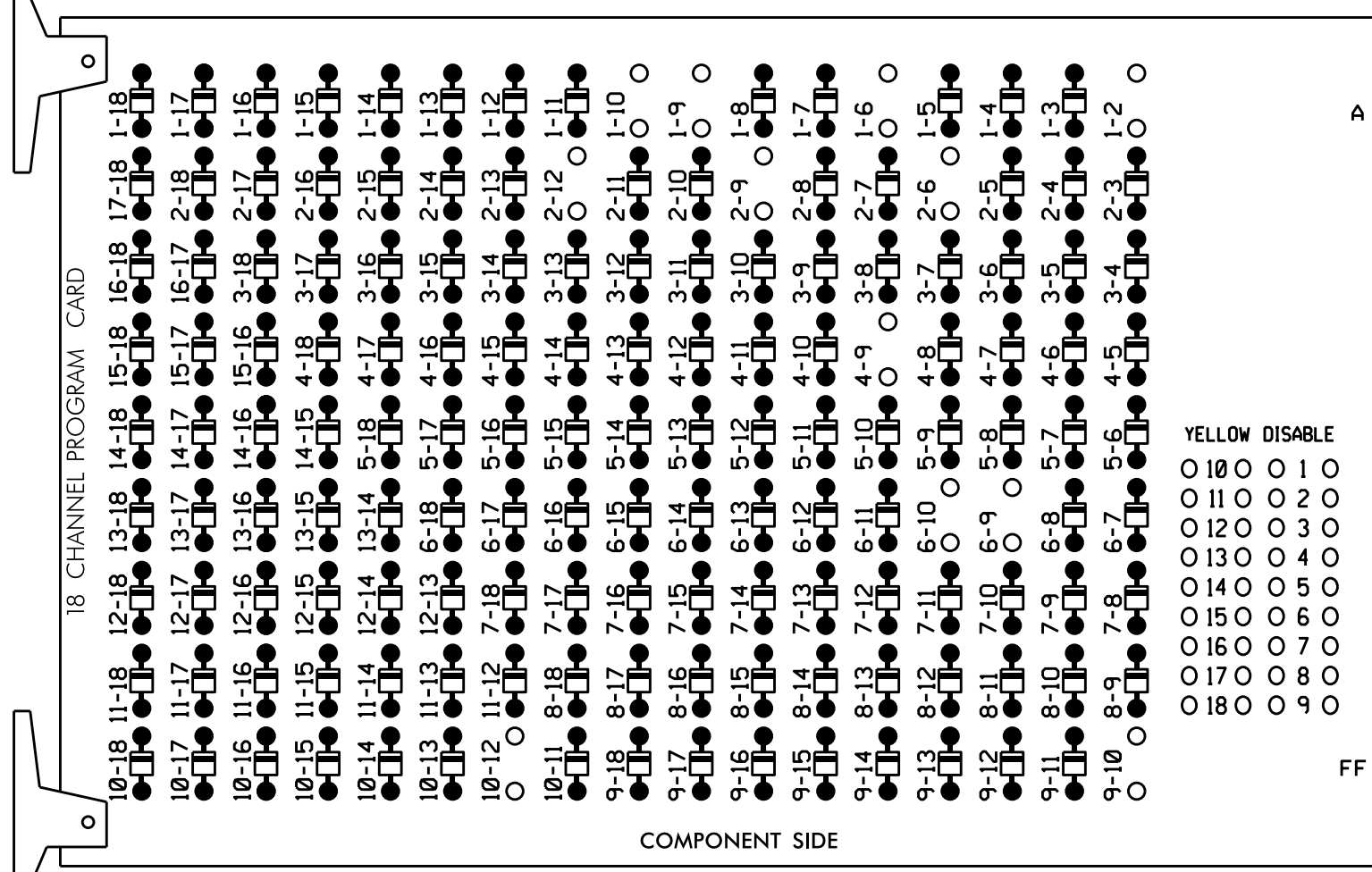


EDI MODEL 2018ECL-NC CONFLICT MONITOR PROGRAMMING DETAIL

(remove jumpers and set switches as shown)

REMOVE DIODE JUMPERS 1-2, 1-6, 1-9, 1-10, 2-6, 2-9, 2-12, 4-9, 6-9, 6-10, 9-10, and 10-12.



REMOVE JUMPERS AS SHOWN

- NOTES:**
1. Card is provided with all diode jumpers in place. Removal of any jumper allows its channels to run concurrently.
 2. Ensure jumpers SEL2-SEL5 and SEL9 are present on the monitor board.
 3. Ensure that Red Enable is active at all times during normal operation.
 4. Connect serial cable from conflict monitor to comm. port 1 of 2070 controller. Ensure conflict monitor communicates with 2070.

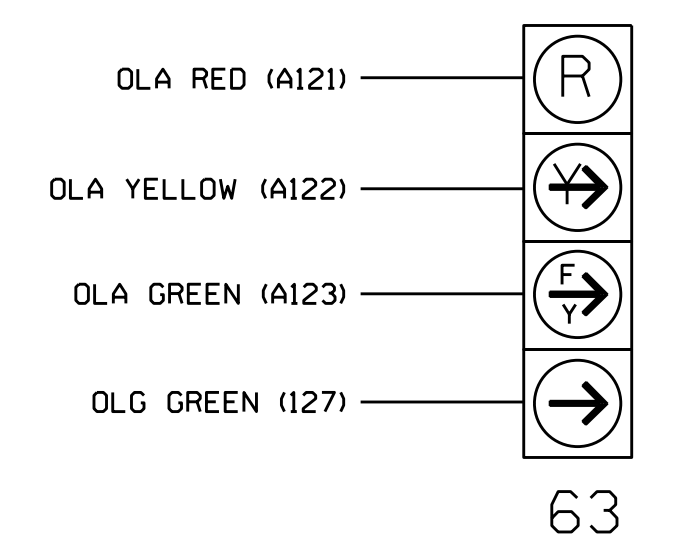
SIGNAL HEAD HOOK-UP CHART

LOAD SWITCH NO.	S1	S2	S3	S4	S5	S6	S7	S8	S9	S10	S11	S12	AUX S1	AUX S2	AUX S3	AUX S4	AUX S5	AUX S6	
CMU CHANNEL NO.	1	2	13	3	4	14	5	6	15	7	8	16	9	10	17	11	12	18	
PHASE	OLG	2	2 PED	3	4	4 PED	5	6	6 PED	7	8	8 PED	OLA	OLB	OLE	OLC	OLD	SPARE	
SIGNAL HEAD NO.	63	21,22	NU	22	31	32	33	41	42	43	NU	NU	61,62	NU	NU	NU	NU	NU	
RED		128			116	116		101	101				134			A121		*	
YELLOW	*	129			117	117		102	102				135					*	
GREEN		130			118	118		103	103				136			A113			
RED ARROW				116				101							A124			A101	
YELLOW ARROW				117	117			102							A122	A125	A125	A102	A102
FLASHING YELLOW ARROW															A123				
GREEN ARROW	127			118	118	118		103	103						A126	A126		A103	A103
Hand icon																			
Person icon																			

NU = Not Used
 * Denotes install load resistor. See load resistor installation detail this sheet.
 ★ See pictorial of head wiring in detail this sheet.
 NOTE: Output assignments for load switch S1 and AUX S3 have been remapped. See sheet 2 for details.
 Load switch AUX S3 used for blankout sign control. See sheet 4 for wiring details.
 NOTE: Install a white flash block for Overlap E to prevent Sign A from flashing during cabinet or controller flash.

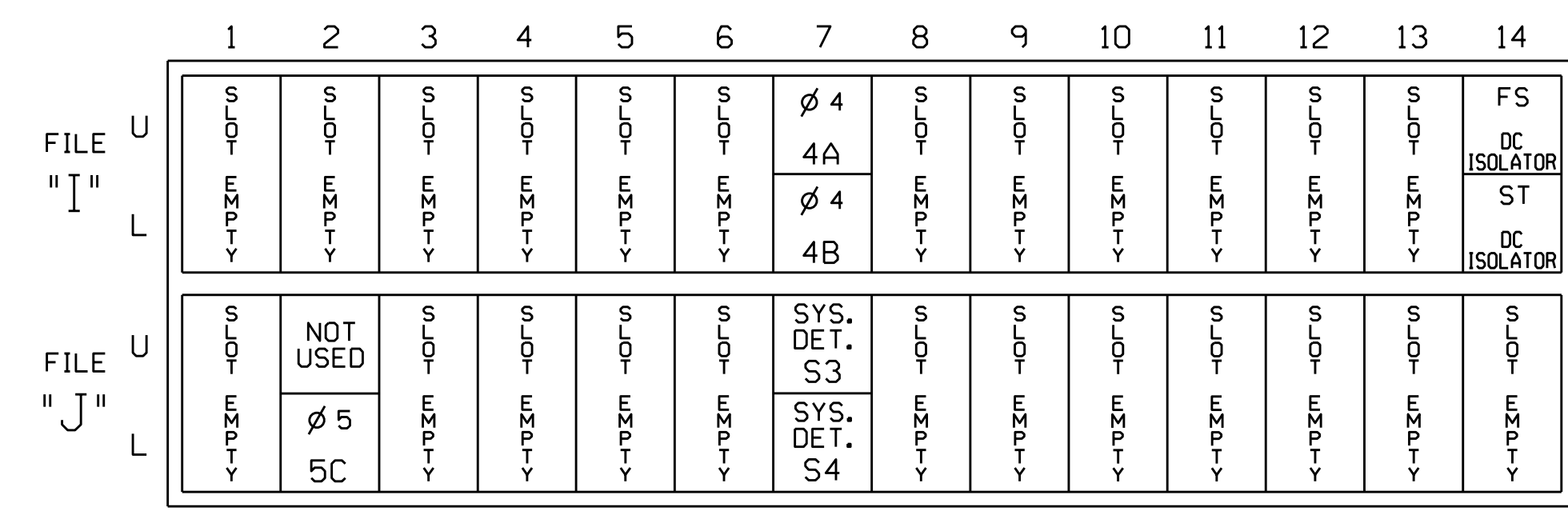
FYA SIGNAL WIRING DETAIL

(wire signal head as shown)



INPUT FILE POSITION LAYOUT

(front view)

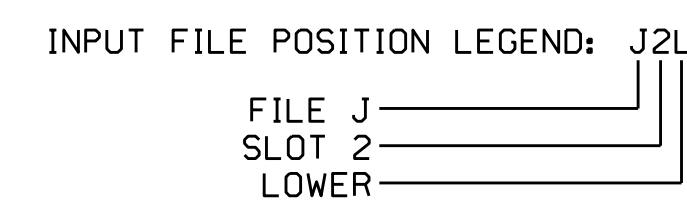


EX.: 1A, 2A, ETC. = LOOP NO.'S
 FS = FLASH SENSE
 ST = STOP TIME

INPUT FILE CONNECTION & PROGRAMMING CHART

LOOP NO.	LOOP TERMINAL	INPUT FILE POS.	PIN NO.	DETECTOR NO.	NEMA PHASE	DELAY TIME	EXTEND (STRETCH) TIME
4A	TB6-1,2	I7U	65	13	4		
4B	TB6-3,4	I7L	78	14	4		
5C	TB3-7,8	J2L	44	22	5	15	
* S3	TB7-1,2	J7U	66	33	SYS		
* S4	TB7-3,4	J7L	79	34	SYS		

* System Detector only. Remove the vehicle phase assigned to this detector in the default programming.



EQUIPMENT INFORMATION

CONTROLLER.....2070LX
 CABINET.....332 W/ AUX
 SOFTWARE.....SE-PAC2070
 CABINET MOUNT.....BASE
 OUTPUT FILE POSITIONS...18 WITH AUX. OUTPUT FILE
 LOAD SWITCHES USED.....S1,S2,S4,S5,S8,AUX S1
 AUX S2,AUX S3*,AUX S5
 PHASES USED.....1,2,3,4,5,6
 OVERLAP A.....4+6
 OVERLAP B.....1
 OVERLAP C.....NOT USED
 OVERLAP D.....5
 OVERLAP E.....3+4+5
 OVERLAP G.....6
 * Load switch used for blankout sign control only.

NOTES

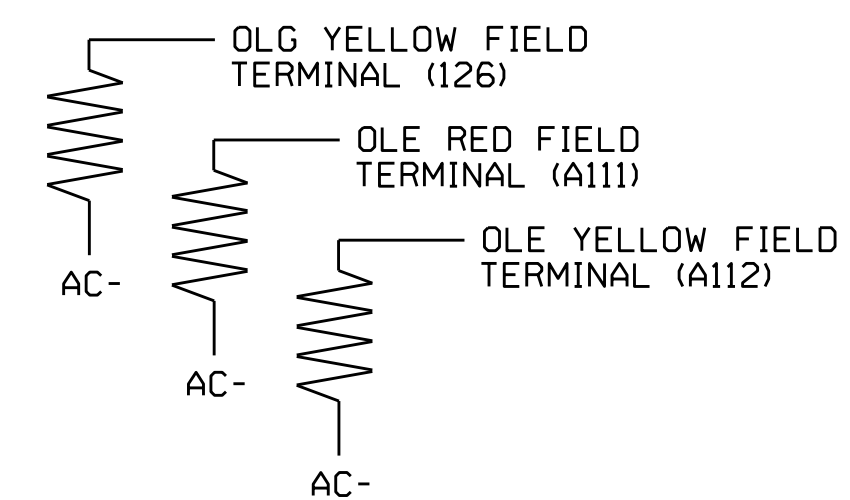
1. To prevent "flash-conflict" problems, insert red flash program blocks for all unused vehicle load switches in the output file. The installer shall verify that signal heads flash in accordance with the Signal Plans.
2. Program controller to start up in phases 2 and 6 green.
3. Enable simultaneous gap-out feature for all phases.
4. Program phases 2 and 6 for volume density operation.
5. The cabinet and controller are part of the Raleigh Signal System.

LOAD RESISTOR INSTALLATION DETAIL

(install resistors as shown below)

ACCEPTABLE VALUES

VALUE (ohms)	WATTAGE
1.5K - 1.9K	25W (min)
2.0K - 3.0K	10W (min)



SPECIAL DETECTOR NOTE

Install a video detection system for vehicle detection for zones 1A, 1B, 2A, 2B, 3A, 3B, 5A, 5B, 6A, 6B, S1, S2, and S5. Perform installation according to manufacturer's directions and NCDOT engineer approved mounting locations to accomplish the detection schemes shown on the Signal Design Plans.

THIS ELECTRICAL DETAIL IS FOR THE SIGNAL DESIGN: 05-2036T2
 DESIGNED: February 2022
 SEALED: 2/22/2022
 REVISED: N/A

Electrical Detail - Temp 2 (TMP Phase II) - Sheet 1 of 4

Electrical and Programming Details For: SR 2000 (Falls of Neuse Rd.) at I-540 WB Ramps and Falls Valley Drive

Prepared In the Offices of: Ryan W. Hough, Professional Engineer, License No. 036833, State of North Carolina.

Division 5 Wake County Raleigh

PLAN DATE: February 2022 REVIEWED BY: Ryan W. Hough

PREPARED BY: S. Armstrong REVIEWED BY: Ryan W. Hough

REVISIONS: _____ INIT. DATE

DocuSigned by: Ryan W. Hough 03/07/2022

750 N. Greenfield Pkwy, Garner, NC 27529

SIG. INVENTORY NO. 05-2036T2

07-1415-2022 01:13
 W:\2026\026\026_elec.dwg
 S:\MSTRONG