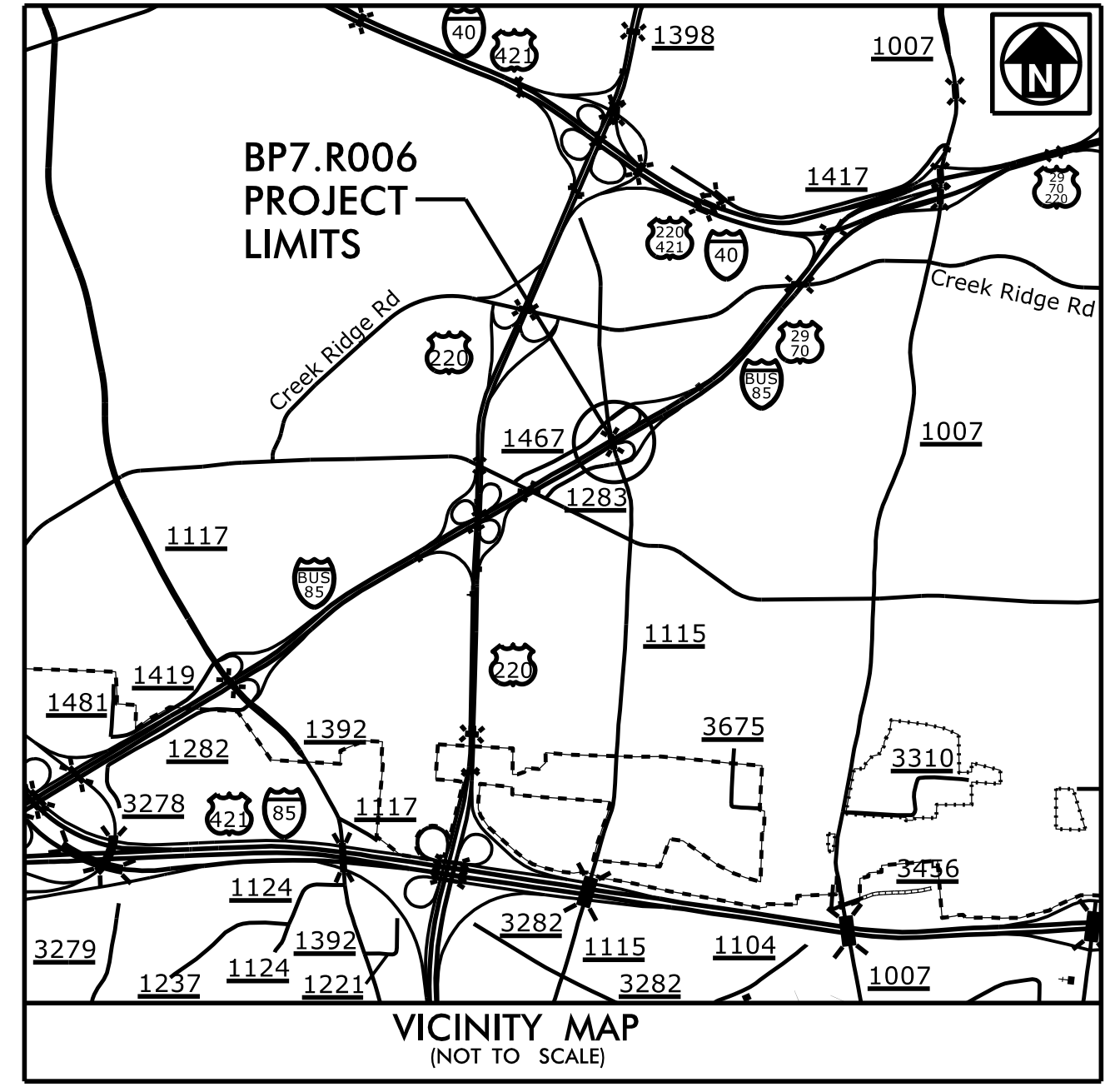


09.08/99

TIP PROJECT: BP7.R006



STATE OF NORTH CAROLINA
DIVISION OF HIGHWAYS

**UTILITIES BY OTHERS PLANS
GUILFORD COUNTY**

**LOCATION: BRIDGE NO. 225 OVER I-85 BUSINESS ON
SR 1115 (REHOBETH CHURCH ROAD)**

**TYPE OF WORK: WATER VALVE /HYDRANT ADJUSTMENT
AND GAS VALVE ADJUSTMENT**

T.I.P. NO.	SHEET NO.
BP7.R006	UO-1

NOTE:
ALL UTILITY WORK SHOWN ON THIS SHEET WILL BE DONE BY OTHERS. NO PAYMENT WILL BE MADE TO THE CONTRACTOR FOR UTILITY WORK SHOWN ON THIS SHEET.

CONTRACT:

BEGIN CONSTRUCTION BP7.R006
SEE SHEET PMP-2

BEGIN PROJECT BP7.R006
-L- POT Sta. 13+75.00

END CONSTRUCTION
-Y- POT Sta. 18+65.00

BEGIN BRIDGE
-L- Sta. 17+82.09

END BRIDGE
-L- Sta. 19+82.09

UO-02

END CONSTRUCTION BP7.R006
SEE SHEET PMP-3

END PROJECT BP7.R006
-L- POT Sta. 26+50.00

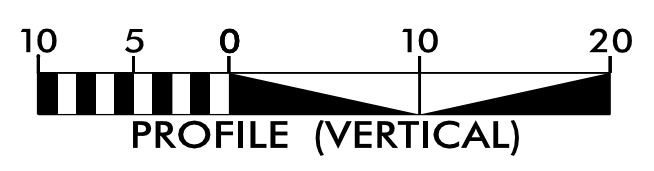
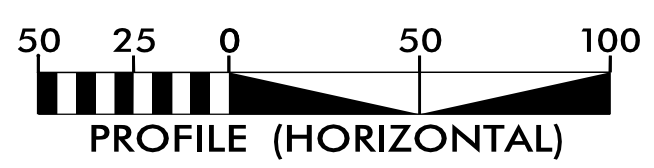
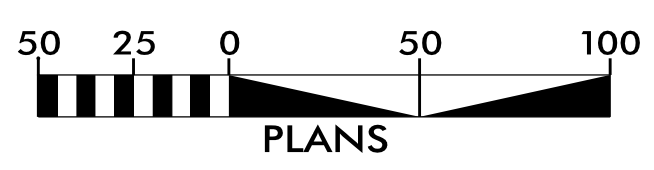
BEGIN APPROACH SLAB
-L- Sta. 17+57.97

END APPROACH SLAB
-L- Sta. 20+06.23

BEGIN CONSTRUCTION
-Y- POT Sta. 10+12.00

★ UPGRADED SIGNAL

GRAPHIC SCALES



INDEX OF SHEETS

SHEET NO.:	DESCRIPTION:
UO-1	TITLE SHEET
UO-2	UBO PLAN SHEET

UTILITY OWNERS WITH CONFLICTS

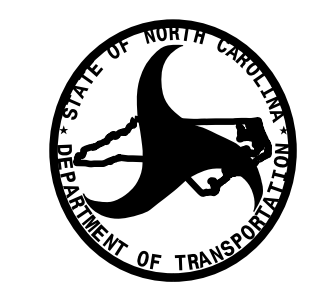
- (A) WATER - CITY OF GREENSBORO
- (B) GAS - PNG

PREPARED IN THE OFFICE OF:



2641 Sumner Boulevard
Suite 116
Raleigh, NC 27616
(919) 878-7466

Freddie Bunn UTILITY PROJECT MANAGER
Matthew Ward PROJECT UTILITY COORDINATOR



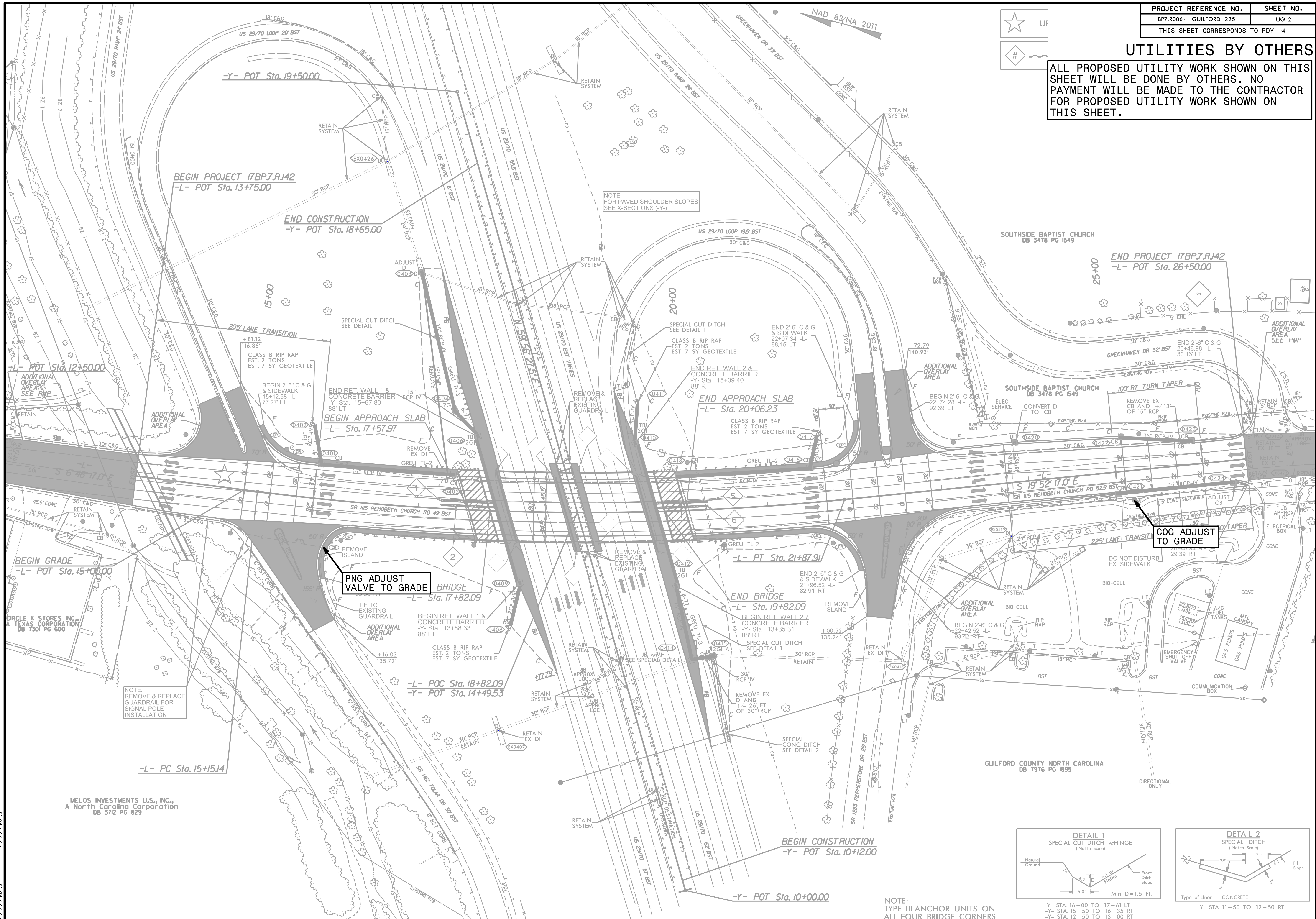
DIVISION OF HIGHWAYS
DIVISION 7
DIV ADDRESS
1584 YANCEYVILLE STREET
GREENSBORO, 27405

Tim Powers, PE BRIDGE PROGRAM MANAGER
Patty Eason, PE CONSTRUCTION ENGINEER

1/24/2023
400225_rdy -tsh.dgn
4:11:28 PM

UTILITIES BY OTHERS

ALL PROPOSED UTILITY WORK SHOWN ON THIS SHEET WILL BE DONE BY OTHERS. NO PAYMENT WILL BE MADE TO THE CONTRACTOR FOR PROPOSED UTILITY WORK SHOWN ON THIS SHEET.

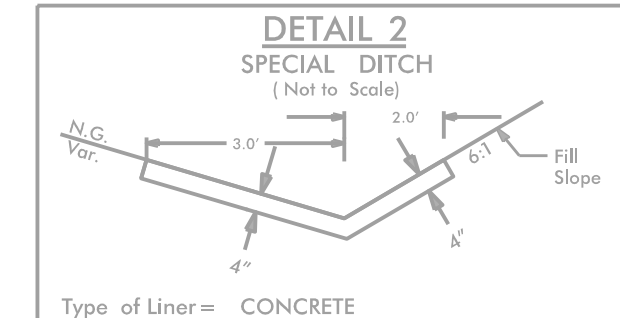
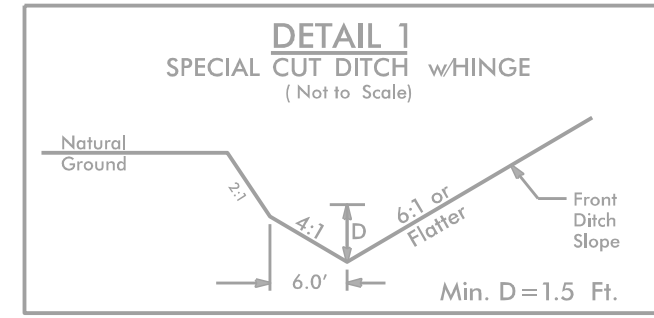


NOTE:
FOR PAVED SHOULDER SLOPES
SEE X-SECTIONS (-Y-)

COG ADJUST
TO GRADE

PNG ADJUST
VALVE TO GRADE

NOTE:
REMOVE & REPLACE
GUARDRAIL FOR
SIGNAL POLE
INSTALLATION



NOTE:
TYPE III ANCHOR UNITS ON
ALL FOUR BRIDGE CORNERS

3:40:48 PM
 \\400225-rdy-psh.dgn
 2/7/2023

MELOS INVESTMENTS U.S., INC.
A North Carolina Corporation
DB 372 PG 829