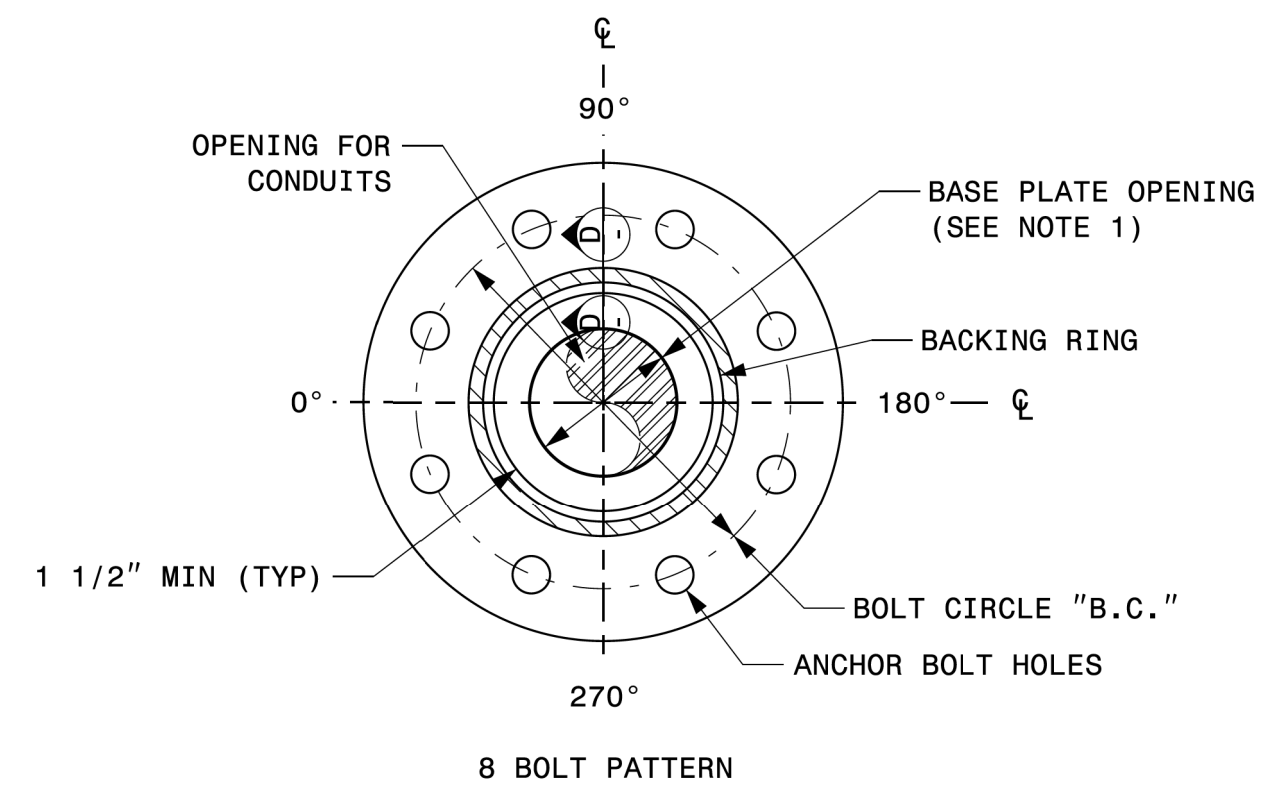
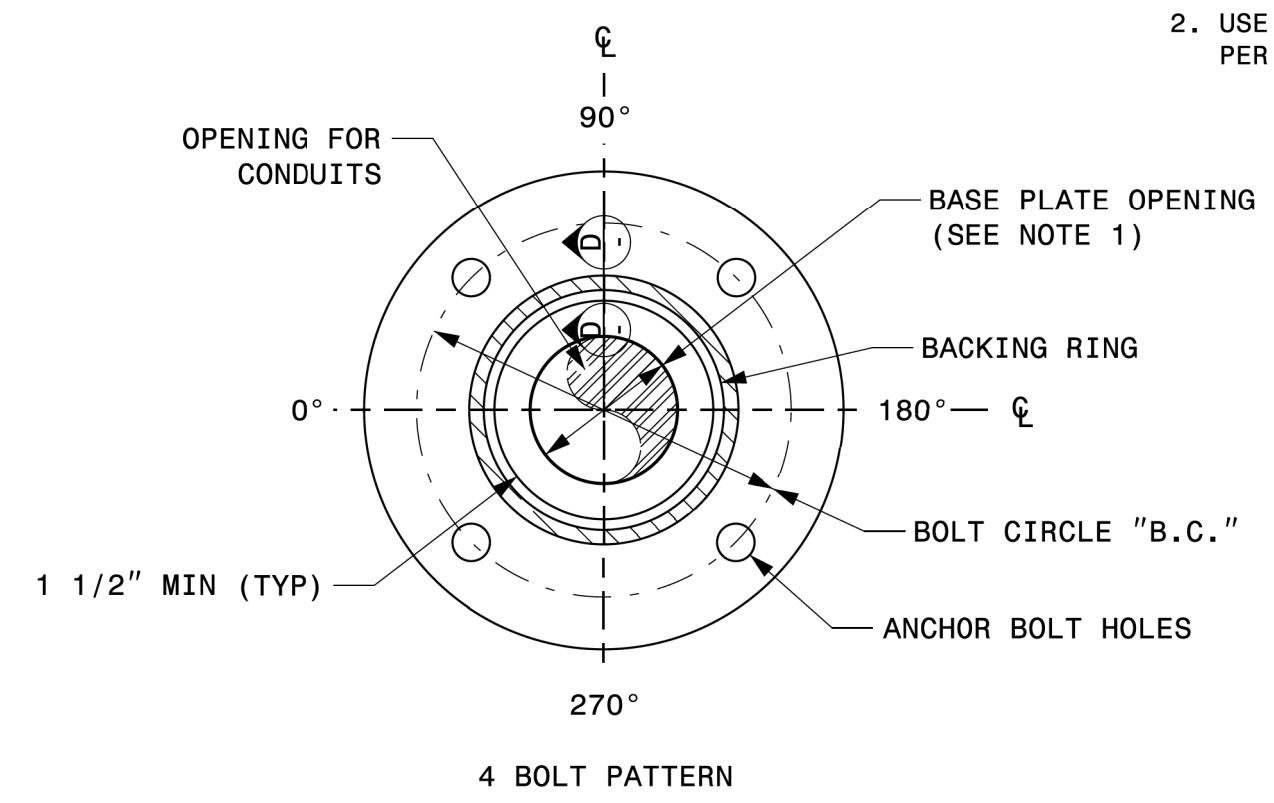
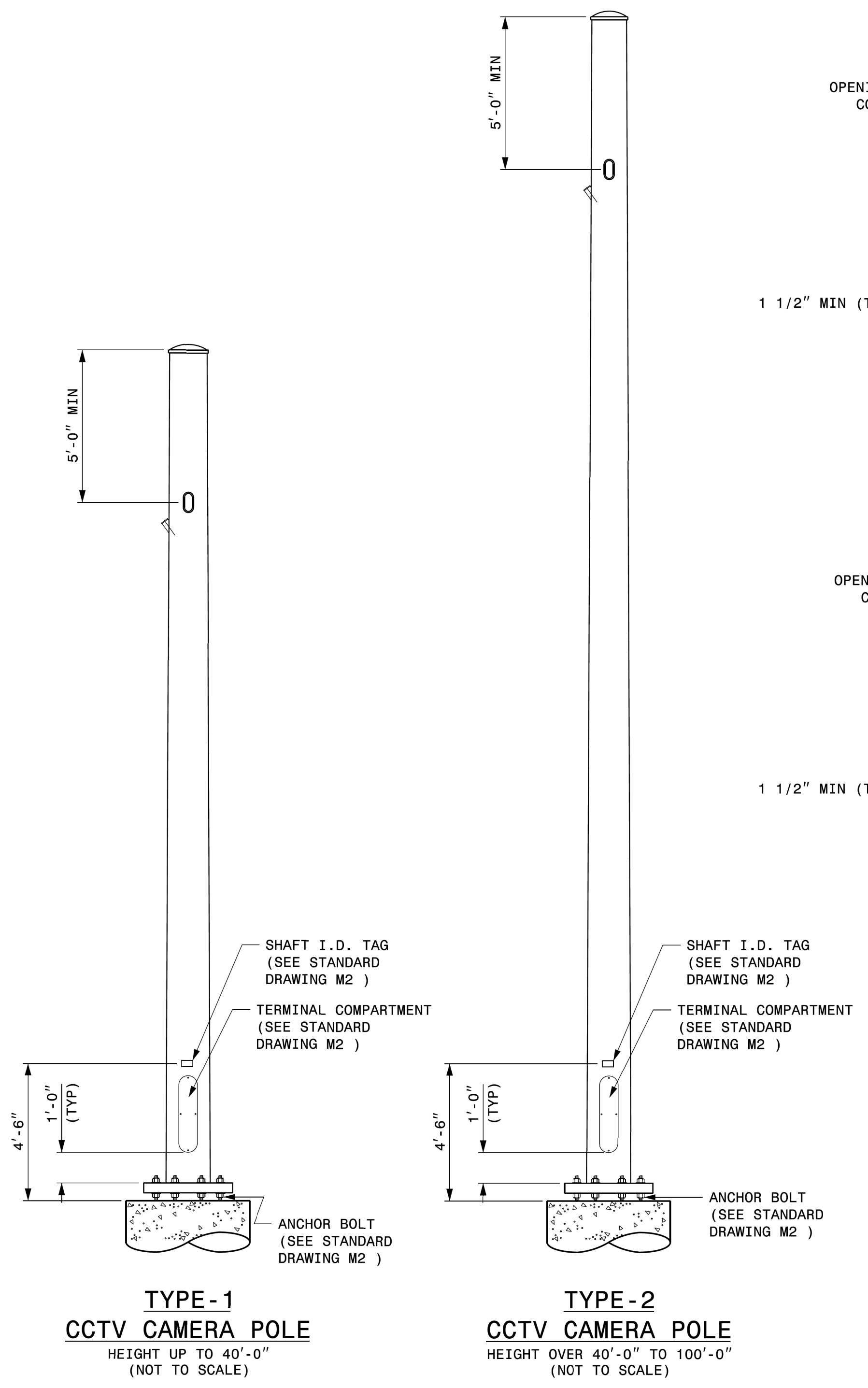
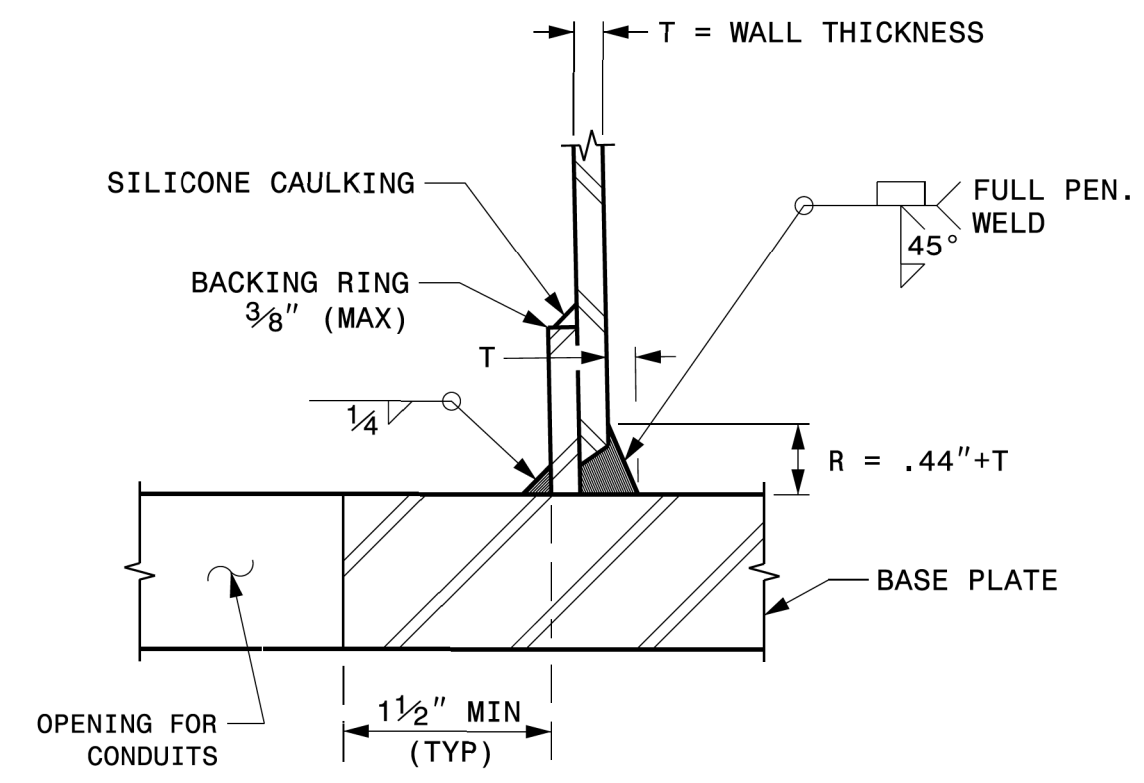


PROJECT ID. NO. SHEET NO.
Sig.M9

- NOTES:
1. OPENING IN POLE BASE SHALL BE EQUAL TO POLE BASE INSIDE DIAMETER MINUS $3\frac{1}{2}$ " BUT SHALL NOT BE LESS THAN $8\frac{1}{2}$ ".
 2. USE COMPACT SECTION CRITERIA D/T RATIO PER AASHTO LTS 6TH EDITION SECTION 5.5.2.



BASE PLATE DETAILS



Fabrication Details - CCTV Camera Poles

13-001-2021-13244 13-001-2021-13244 Signal&Sign Design Section&Structural&Drawings&CCTV Pole STD Design&Sig.M9 Fabrication Details - CCTV Poles.dgn kcdurigon

	Typical Fabrication Details For CCTV Poles		SEAL NORTH CAROLINA PROFESSIONAL ENGINEER RUSSELL W. THOMPSON SEAL 028094
	PLAN DATE: OCTOBER 2021 DESIGNED BY: K.C. DURIGON PREPARED BY: K.C. DURIGON REVIEWED BY: D.C. SARKAR	REVISIONS INIT. DATE	

<p>MOTT MACDONALD 7621 Pur Foy Road Suite 115 Fayetteville, NC 27526 www.mottmac.com License No. F-0669</p>		COMMUNICATIONS CABLE AND CONDUIT ROUTING PLANS Division 08 Guilford Co. Greensboro		SEAL NORTH CAROLINA PROFESSIONAL ENGINEER RUSSELL W. THOMPSON SEAL 032711
		PLAN DATE: January 2023 PREPARED BY: IN Avery	REVIEWED BY: RW Thompson REVIEWED BY:	