
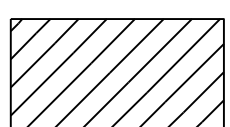
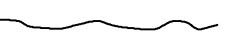


-  SHOTCRETE REPAIR
-  CONCRETE REPAIR
-  EPOXY RESIN INJECTION (ERI)

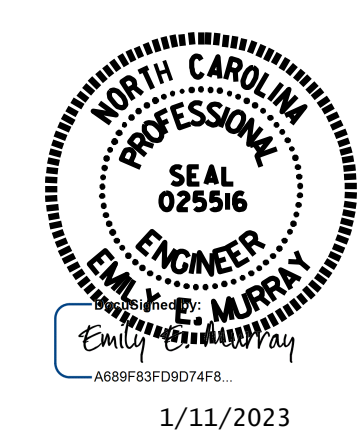
ELEVATION @ BENT 5 (SPAN D)

PROJECT NO. I-5927  
POLK COUNTY  
 BRIDGE NO. 740050

SHEET 1 OF 2

STATE OF NORTH CAROLINA  
 DEPARTMENT OF TRANSPORTATION  
 RALEIGH

**BENT 5  
 (SPAN E)**



**VOLKERT**  
 5540 Centerview Drive, Suite 305  
 Raleigh, NC 27606  
 Tel. 919-854-0344 Fax. 919-854-0355  
 NC License No. F-0765

DOCUMENT NOT CONSIDERED  
 FINAL UNLESS ALL  
 SIGNATURES COMPLETED

REVISIONS						SHEET NO.
NO.	BY:	DATE:	NO.	BY:	DATE:	S-73
1			3			TOTAL SHEETS
2			4			79

DRAWN BY : D. A. GLADDEN DATE : 5/21  
 CHECKED BY : E. MURRAY DATE : 12/22