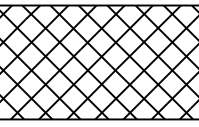
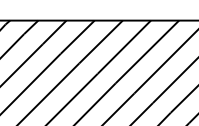



-  SHOTCRETE REPAIR
-  CONCRETE REPAIR
-  EPOXY RESIN INJECTION (ERI)

PROJECT NO. I-5927
POLK COUNTY
 BRIDGE NO. 740050

SHEET 1 OF 2

STATE OF NORTH CAROLINA
 DEPARTMENT OF TRANSPORTATION
 RALEIGH

BENT 4
(SPAN D)



VOLKERT
 5540 Centerview Drive, Suite 305
 Raleigh, NC 27606
 Tel. 919-854-0344 Fax. 919-854-0355
 NC License No. F-0765

DOCUMENT NOT CONSIDERED
 FINAL UNLESS ALL
 SIGNATURES COMPLETED

| REVISIONS | | | | | | SHEET NO. |
|-----------|-----|-------|-----|-----|-------|--------------|
| NO. | BY: | DATE: | NO. | BY: | DATE: | S-71 |
| 1 | | | 3 | | | TOTAL SHEETS |
| 2 | | | 4 | | | 79 |

DRAWN BY : D. A. GLADDEN DATE : 5/21
 CHECKED BY : E. MURRAY DATE : 12/22

ELEVATION @ BENT 4 (SPAN D)