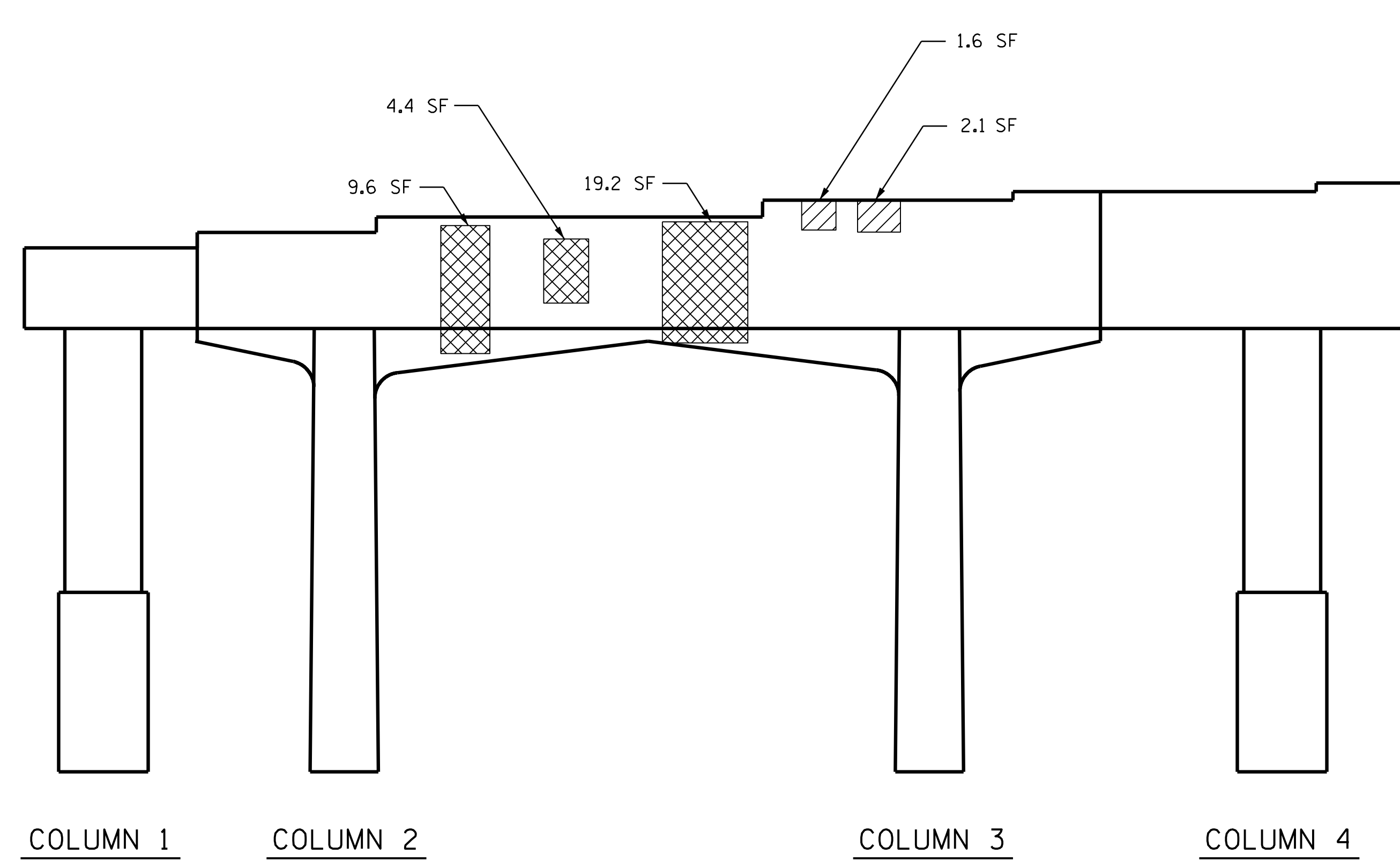
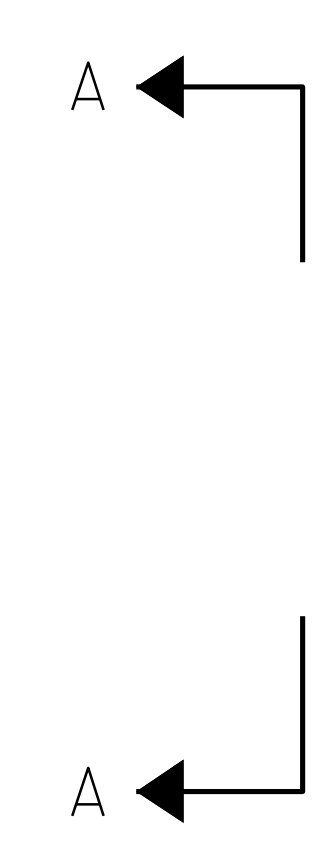


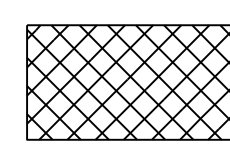
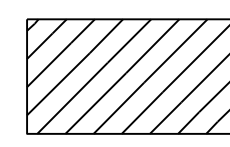

TOP OF CAP @ BENT 1



ELEVATION @ BENT 1 (SPAN A)



END OF CAP (A-A)

-  SHOTCRETE REPAIR
-  CONCRETE REPAIR
-  EPOXY RESIN INJECTION (ERI)

PROJECT NO. I-5927
POLK COUNTY
 BRIDGE NO. 740048

SHEET 1 OF 2

STATE OF NORTH CAROLINA
 DEPARTMENT OF TRANSPORTATION
 RALEIGH

**BENT 1
 (SPAN A)**



VOLKERT
 5540 Centerview Drive, Suite 305
 Raleigh, NC 27606
 Tel. 919-854-0344 Fax. 919-854-0355
 NC License No. F-0765

DOCUMENT NOT CONSIDERED
 FINAL UNLESS ALL
 SIGNATURES COMPLETED

REVISIONS						SHEET NO.
NO.	BY:	DATE:	NO.	BY:	DATE:	TOTAL SHEETS
1			3			79
2			4			

DRAWN BY : D. A. GLADDEN DATE : 5/21
 CHECKED BY : E. MURRAY DATE : 12/22