

NOTES

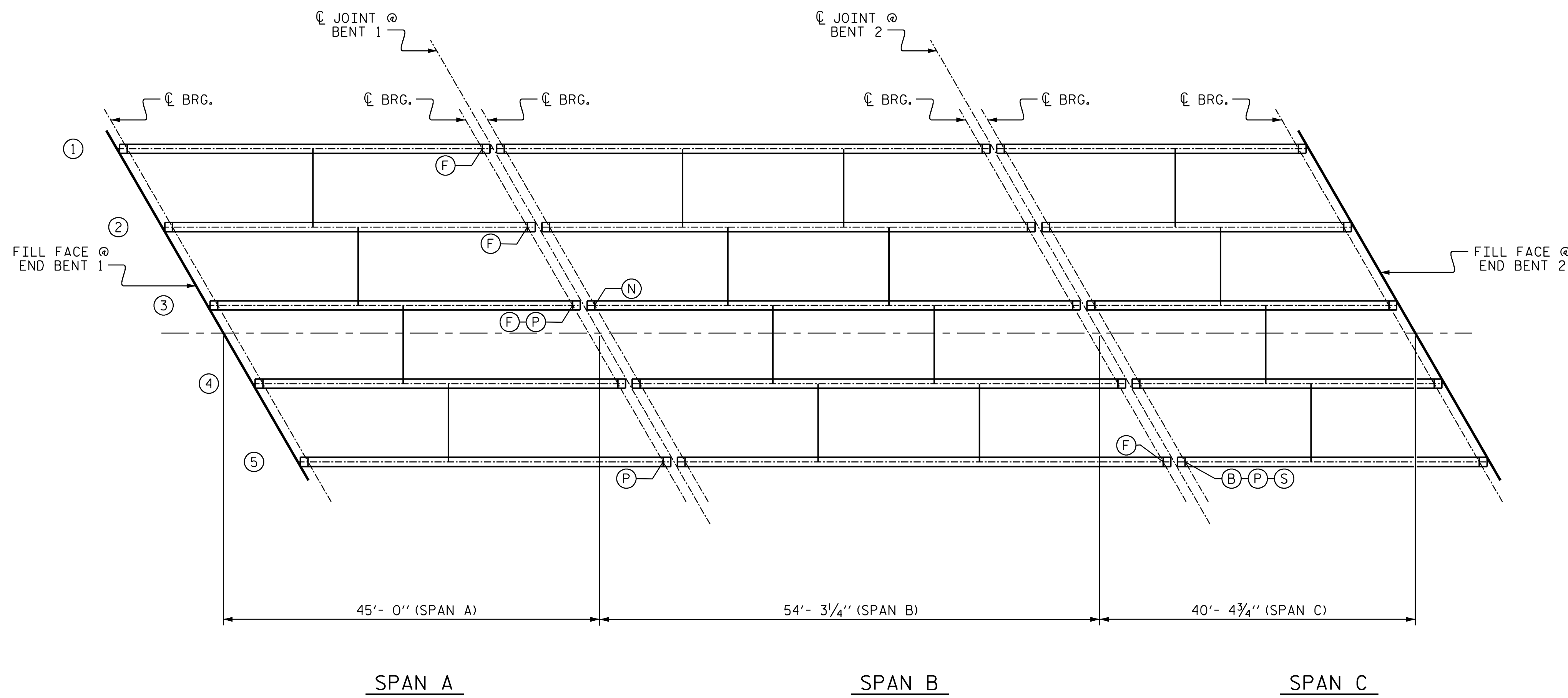
FOR BEAM PLATE REPAIRS, SEE "BEAM REPAIR PLATING DETAILS" SHEET.

FOR BEAM CUT-OUT REPAIRS, SEE "BEAM REPAIR CUT-OUT DETAILS" SHEET.

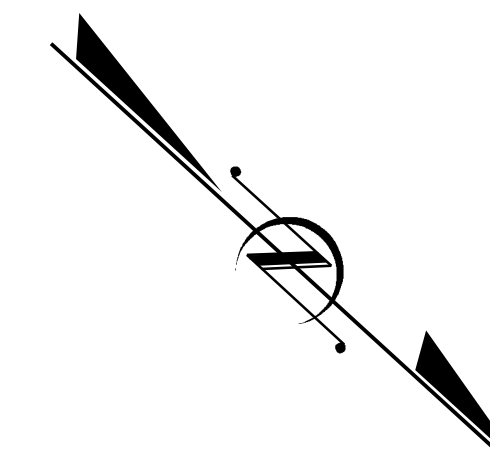
THE LOCATIONS AND DIMENSIONS OF THE AREAS FOR REPAIR ARE BASED ON THE BEST INFORMATION AVAILABLE. THE CONTRACTOR, IN CONJUNCTION WITH THE ENGINEER, SHALL VERIFY THE LOCATION AND EXTENTS OF REPAIR AREAS PRIOR TO STEEL FABRICATION. IF ADDITIONAL REPAIRS NOT SHOWN ON THE DRAWINGS ARE DEEMED NECESSARY BY THE ENGINEER, THE ENGINEER WILL NOTE ON THE DRAWINGS THE APPROXIMATE LOCATION AND DESCRIPTION OF THE REPAIRS AND ENTER THE QUANTITIES ON INTO THE REPAIR QUANTITY TABLE.

CONTRACTOR SHALL ENSURE THAT EXISTING UTILITIES ADJACENT TO THE BRIDGE ARE NOT DAMAGED DURING REPAIR OPERATIONS.

REPLACEMENT OF MISSING OR DETERIORATED NUTS IS INCIDENTAL TO THE COST FOR VARIOUS BEAM REPAIR PAY ITEMS.



- ① BEAM NUMBER
- ⓑ BEAM REPAIR CUT-OUT
- ⓑ BEAM REPAIR PLATING
- ⓕ FLANGE PLATE REPAIR
- Ⓢ STIFFENER REPAIR
- Ⓝ REPLACE ANCHOR BOLT NUT



BEAM REPAIR LOCATIONS

(OTHER LOCATIONS MAY EXIST. SEE NOTES)

ANTICIPATED BEAM REPAIR LOCATIONS							
SPAN	BEAM	TYPE	LOCATION	DIM 'A'	DIM 'B'	DIM 'C'	DIM 'D'
A	1	F	BENT 1	5"	22"		
A	2	F	BENT 1	5"	30"		
*A	3	P	BENT 1	4"	10"		
▲A	3	F	BENT 1	5"	27"		
A	5	P	BENT 1	8"	60"		
B	5	F	BENT 2	5"	72"		
C	5	B	BENT 2	5"	48"		
*C	5	P	BENT 2	3"	10"		
C	5	S	BENT 2	12"			

* PLATE REPAIR IS AT TOP OF WEB
 ▲ FLANGE REPAIR PLATE REQUIRED ON EACH SIDE OF WEB

BEAM REPAIR							
BEAM REPAIR CUT-OUT		BEAM REPAIR PLATING		STIFFENER REPAIR		DIAPHRAGM REPAIR	
LBS.		LBS.		LBS.		LBS.	
ESTIMATE	ACTUAL	ESTIMATE	ACTUAL	ESTIMATE	ACTUAL	ESTIMATE	ACTUAL
166		292		22			

PROJECT NO. I-5927
POLK COUNTY
 BRIDGE NO. 740025



STATE OF NORTH CAROLINA
 DEPARTMENT OF TRANSPORTATION
 RALEIGH

BEAM REPAIR LOCATIONS

VOLKERT
 5430 Wade Park Blvd, Suite 410
 Raleigh, NC 27607
 Tel. 919-854-0344 Fax. 919-854-0355
 NC License No. F-0765

DOCUMENT NOT CONSIDERED
 FINAL UNLESS ALL
 SIGNATURES COMPLETED

REVISIONS						SHEET NO.
NO.	BY:	DATE:	NO.	BY:	DATE:	
1			3			S-22
2			4			TOTAL SHEETS 79

DRAWN BY : D. A. GLADDEN DATE : 5/21
 CHECKED BY : E. MURRAY DATE : 12/22