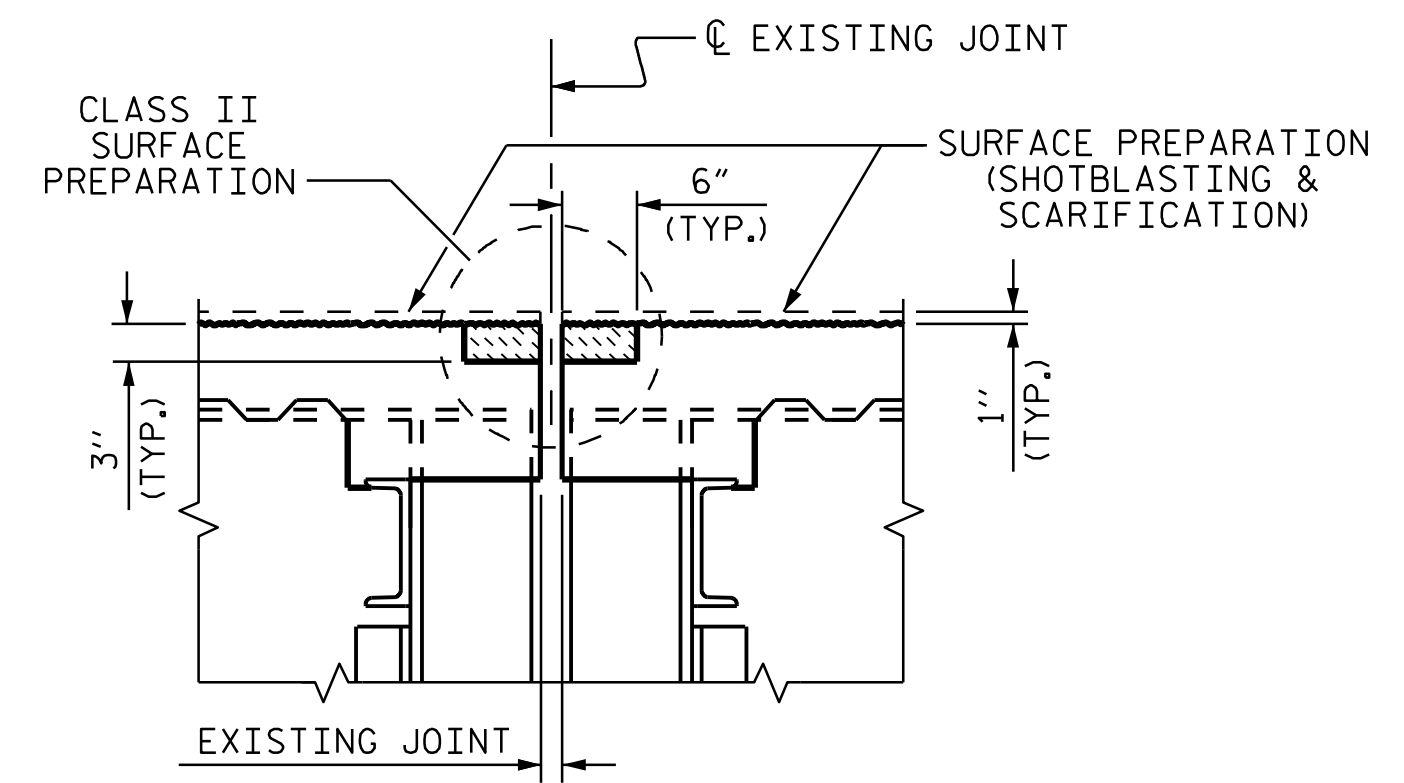
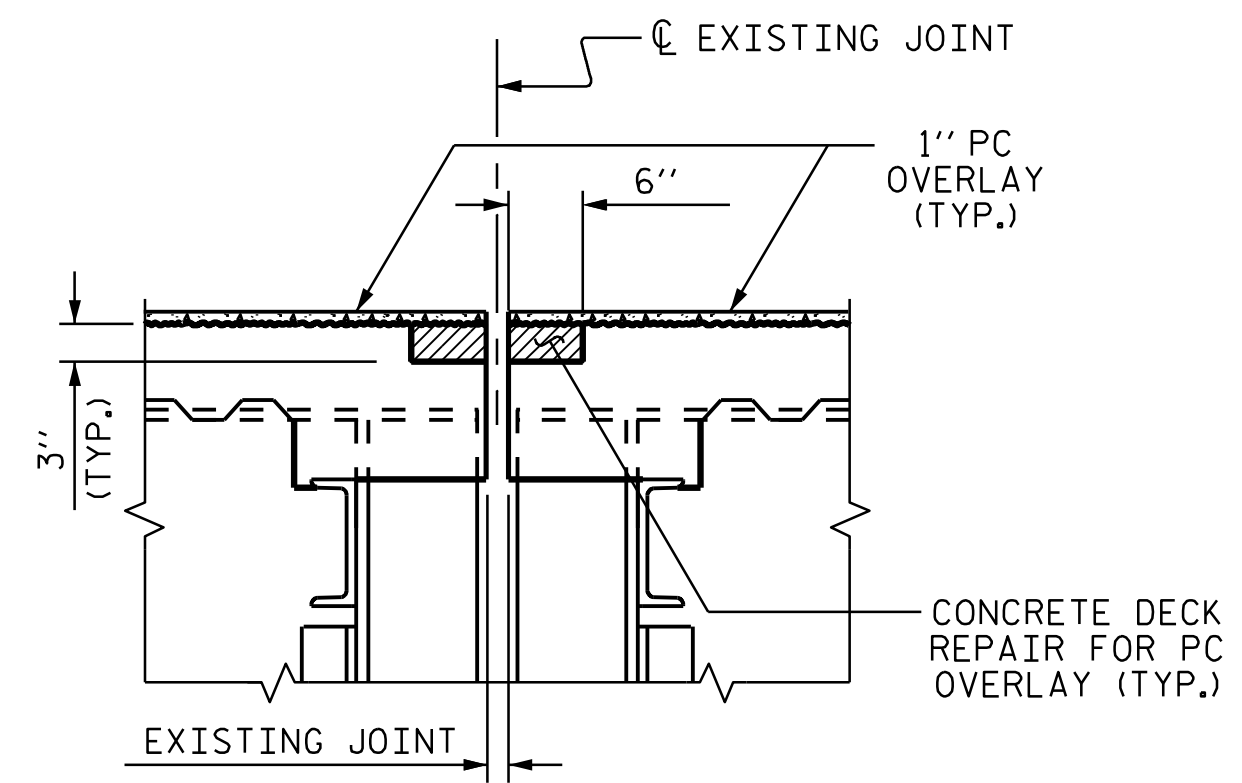


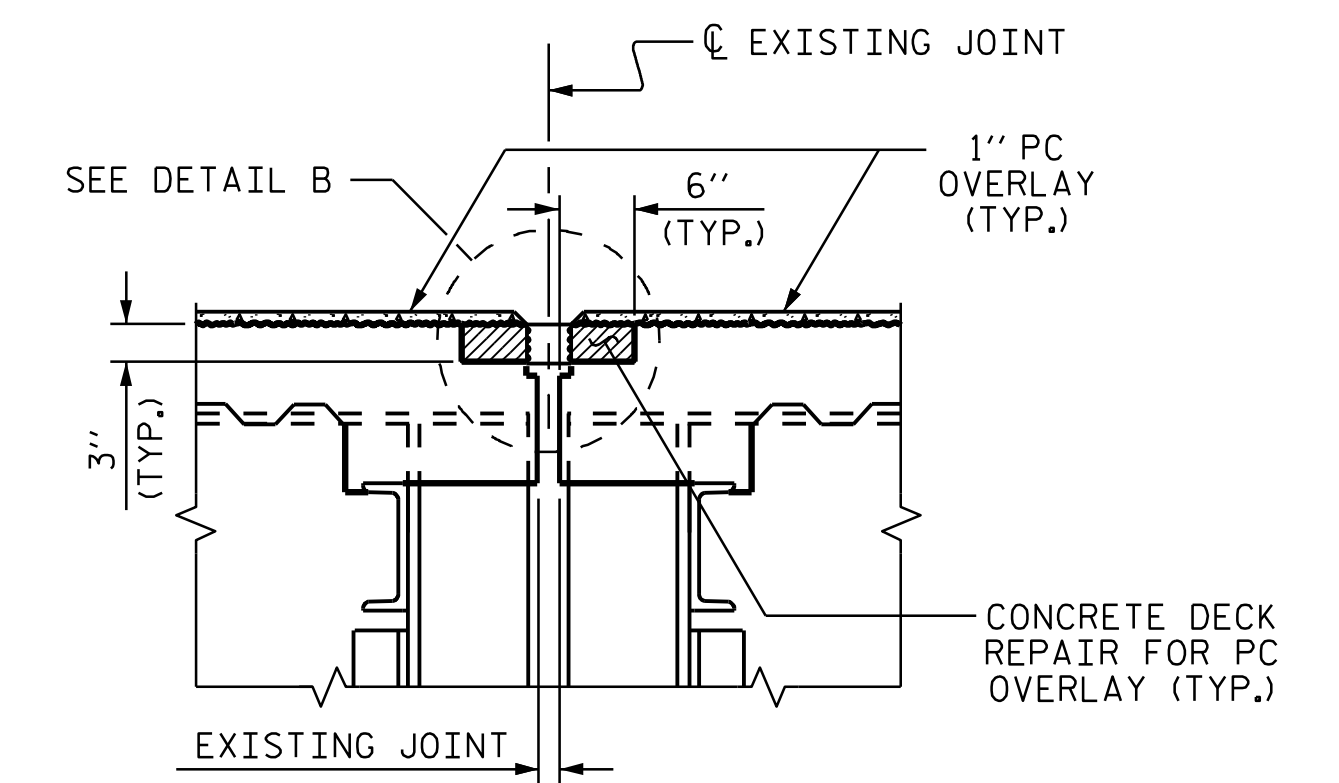
EXISTING JOINT



PROPOSED JOINT PREPARATION
(MINIMUM EXISTING JOINT DEMOLITION)

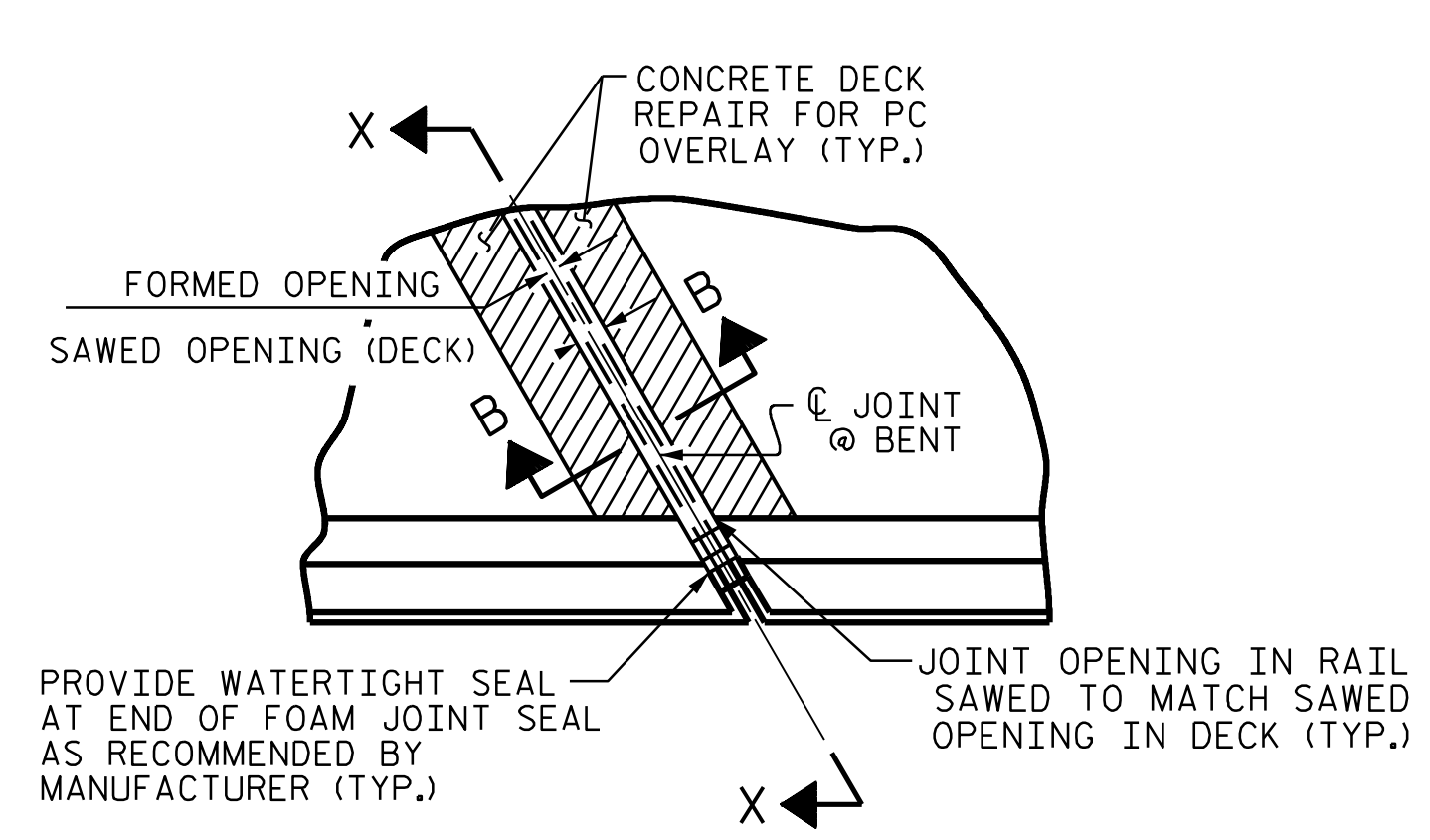


PROPOSED JOINT PRESAWED

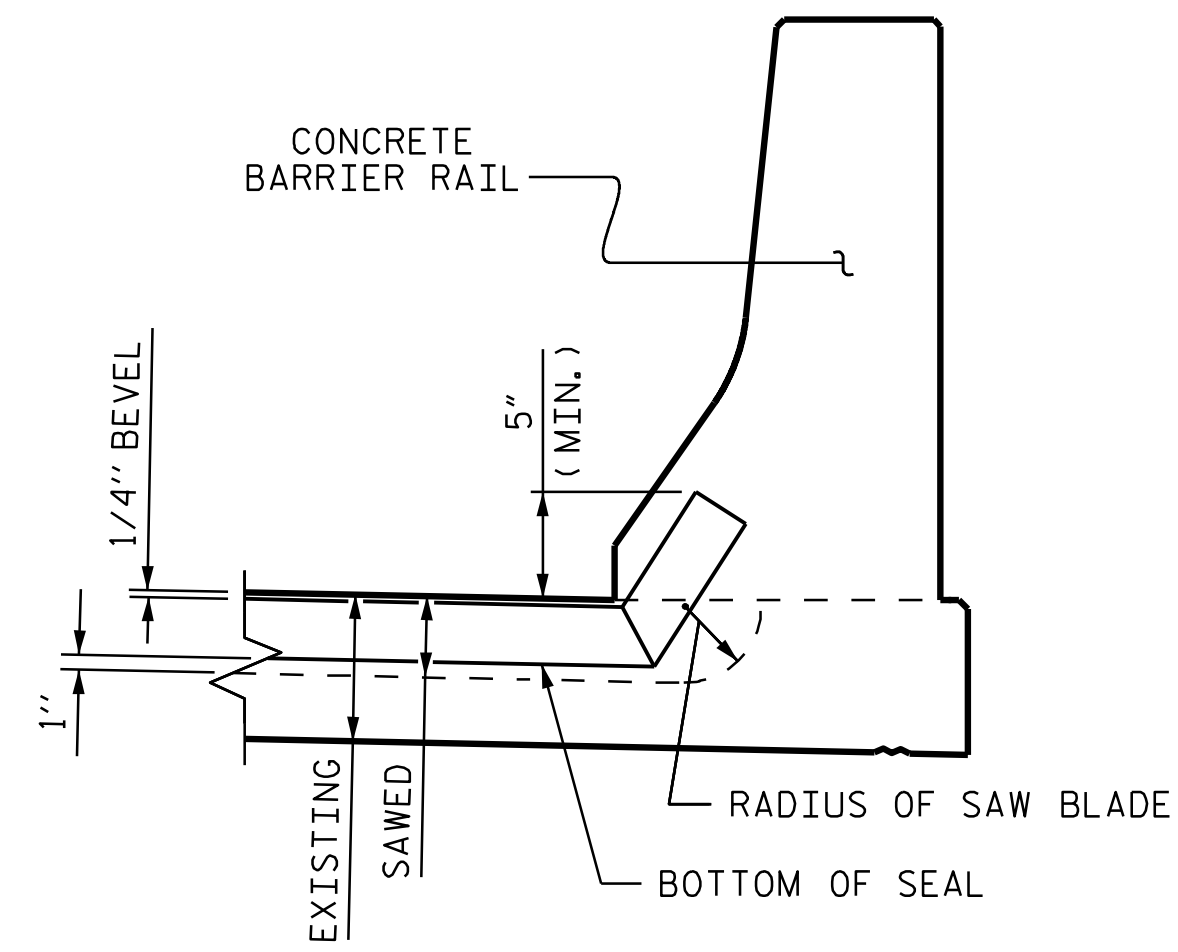


PROPOSED FOAM JOINT

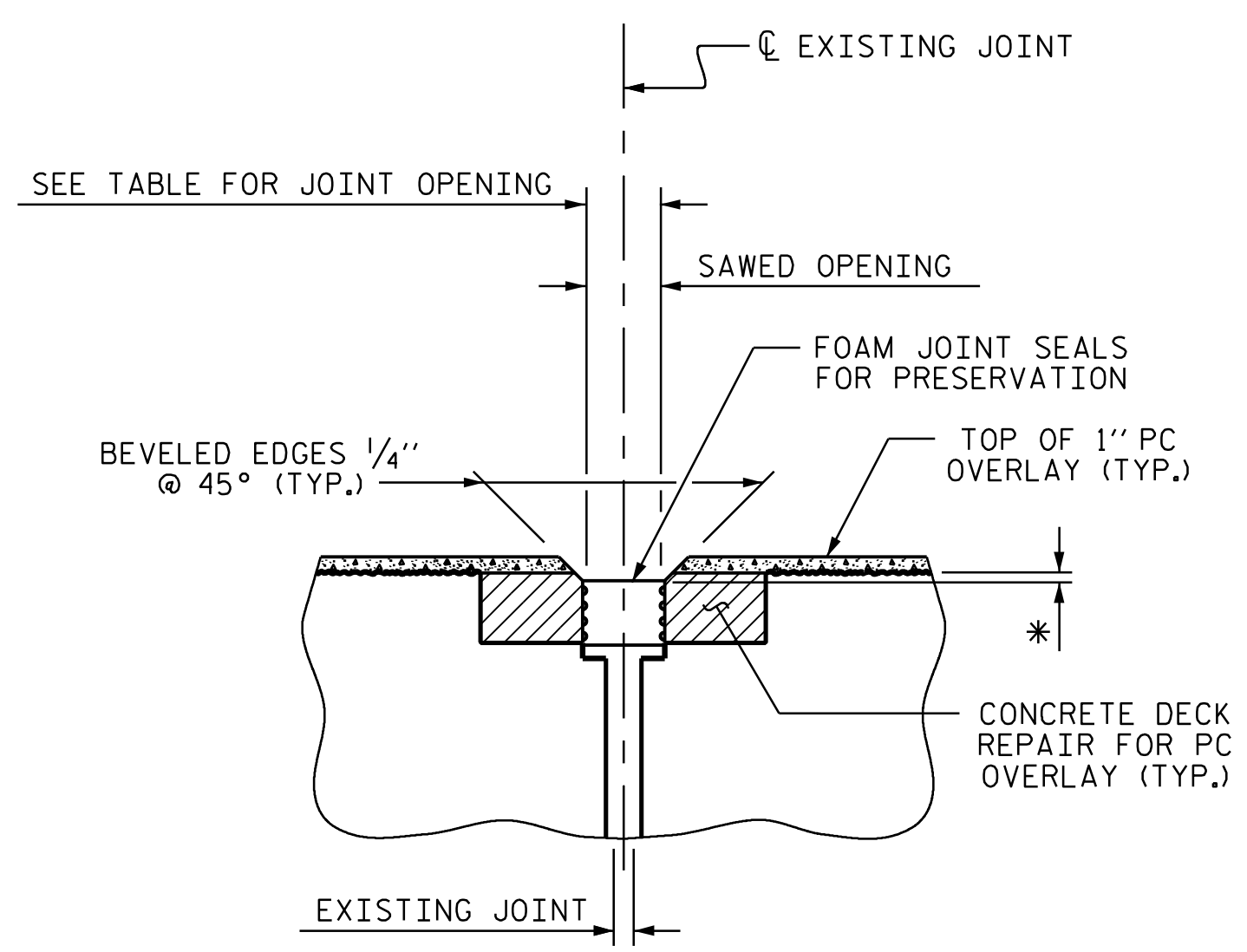
JOINT INSTALLATION SEQUENCE AT BENTS (SECTION B-B)



PLAN



SECTION X-X



DETAIL A
(PROPOSED)

* FOAM JOINT SEALS FOR PRESERVATION SHALL BE RECESSED AS PER MANUFACTURER'S RECOMMENDATIONS.

JOINT REPAIR QUANTITY		
	ESTIMATED (LIN. FT.)	ACTUAL (LIN. FT.)
FOAM JOINT SEALS FOR PRESERVATION	90.1	

SAWED JOINT OPENING TABLE				
LOCATION	SKIEW ANGLE	PERPENDICULAR JOINT OPENING AT 45°	PERPENDICULAR JOINT OPENING AT 60°	PERPENDICULAR JOINT OPENING AT 90°
BENT 1	60°00'00"	1 5/8"	1 3/16"	1 7/16"
BENT 2	60°00'00"	1 5/8"	1 3/16"	1 7/16"

JOINT SEAL DETAILS @ BENT

FOAM JOINT SEAL TO BE CUT, HEAT WELDED AND TURNED UP PARALLEL TO SLOPED FACE OF THE SIDEWALK.

NOTES

- THE CONTRACTOR SHALL FIELD VERIFY THE EXISTING JOINT OPENING PRIOR TO ORDER JOINT SEAL MATERIAL. IF THE ACTUAL JOINT OPENING VARIES FROM THE OPENING ALLOWED BY THE JOINT SEAL MATERIAL, NOTIFY THE ENGINEER. REVISION TO THE JOINT SEAL SIZE AND TYPE MIGHT BE NECESSARY.
- THE CONTRACTOR WILL NOT BE PERMITTED TO FORM THE JOINTS FOR THE JOINT SEALS IN LIEU OF SAWING THE JOINT.
- THE MANUFACTURER IS TO PROVIDE THE NOMINAL UNCOMPRESSED SEAL WIDTH OF THE FOAM JOINT SEAL BASED ON JOINT OPENINGS.
- FOR FOAM JOINT SEALS FOR PRESERVATION, SEE SPECIAL PROVISIONS.
- FOAM JOINT SEALS FOR PRESERVATION SHALL BE INSTALLED AS PER MANUFACTURER'S RECOMMENDATION.
- THE INSTALLED FOAM JOINT SEALS FOR PRESERVATION SHALL BE WATER TIGHT.
- FOR LOCATION OF SECTION B-B, SEE PLAN OF SPAN SHEETS.
- FINAL SURFACE OF THE JOINT DEMOLITION AREA PRIOR TO PLACEMENT OF CONCRETE REPAIR MATERIAL SHOULD BE REASONABLY FLAT AND LEVEL. ENGINEER SHALL DETERMINE THE ACCEPTABILITY OF THE SURFACE PRIOR TO PLACEMENT OF REPAIR CONCRETE.

PROJECT NO. I-5927
POLK COUNTY
 BRIDGE NO: 740025



STATE OF NORTH CAROLINA
 DEPARTMENT OF TRANSPORTATION
 RALEIGH

JOINT REPAIR DETAILS

DRAWN BY : D. A. GLADDEN DATE : 7/21
 CHECKED BY : E. MURRAY DATE : 12/22

VOLKERT
 5430 Wade Park BLVD, Suite 410
 Raleigh, NC 27607
 Tel. 919-854-0344 Fax. 919-854-0355
 NC License No. F-0765

REVISIONS						SHEET NO.
NO.	BY:	DATE:	NO.	BY:	DATE:	S-21
1			3			TOTAL SHEETS
2			4			79

DOCUMENT NOT CONSIDERED FINAL UNLESS ALL SIGNATURES COMPLETED