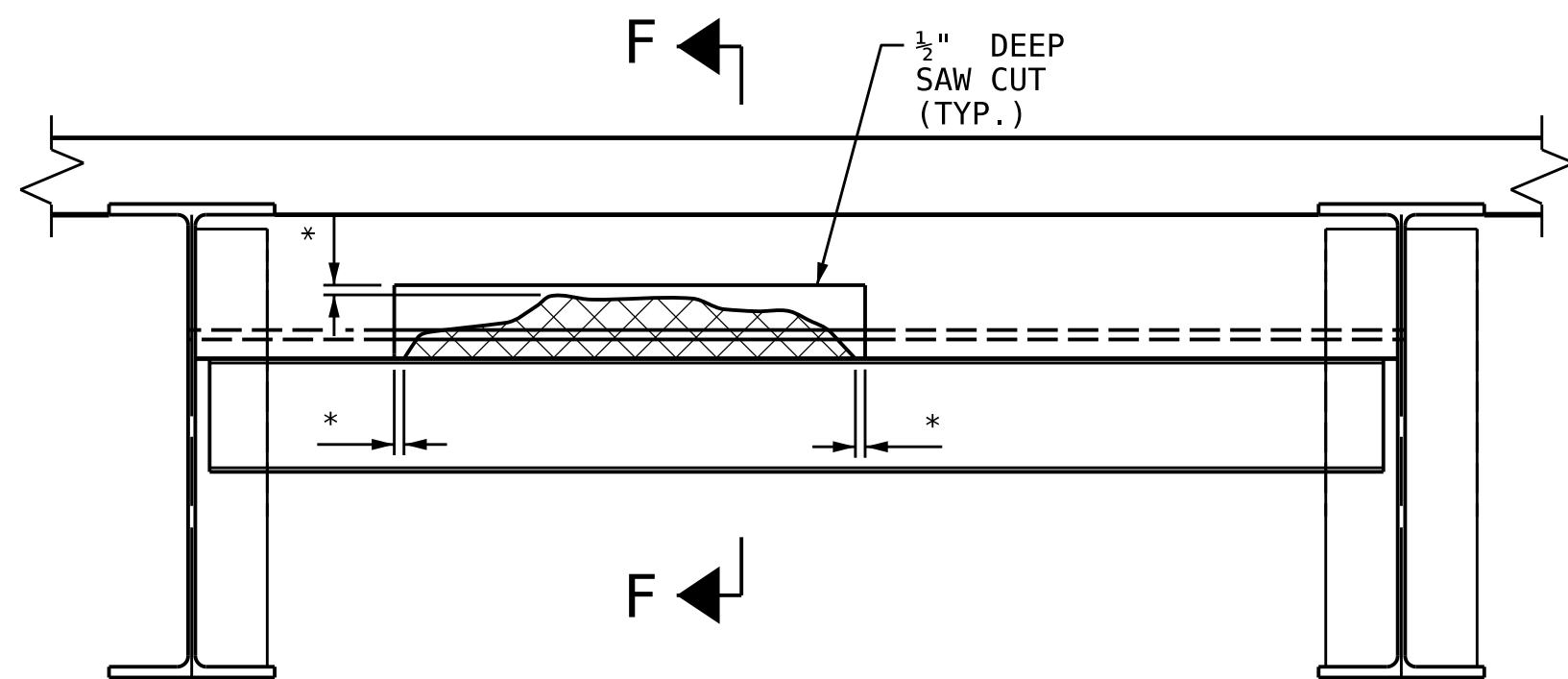


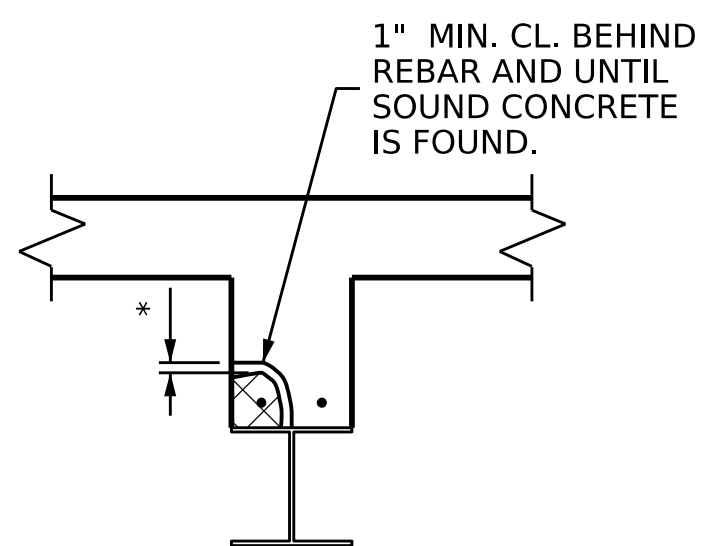
NOTE: OVERHANG DIAPHRAGMS TO BE REMOVED AND REPLACED, ARE SHOWN ON "PLAN OF SPAN" SHEET. OVERHANG DIAPHRAGMS SHALL BE REMOVED PRIOR TO CLEANING AND PAINTING OF BEAMS AND REPLACED AFTER BEAM REPAIRS AND PAINTING ARE COMPLETE.

NOTE: EXISTING REBAR TO REMAIN IN PLACE. CLEAN AND REPAIR AS NECESSARY.

 DAMAGED AREA

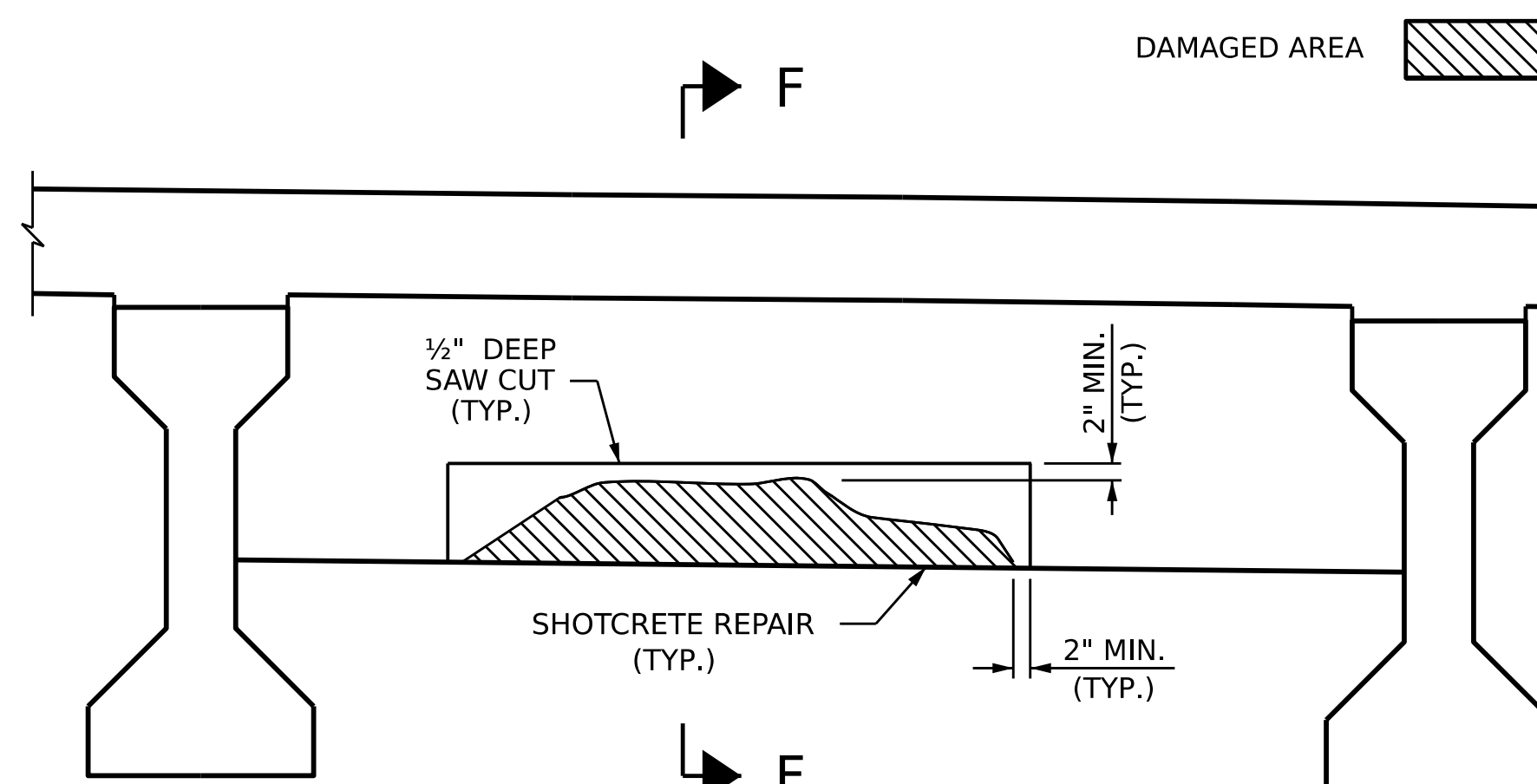


TYPICAL SECTION

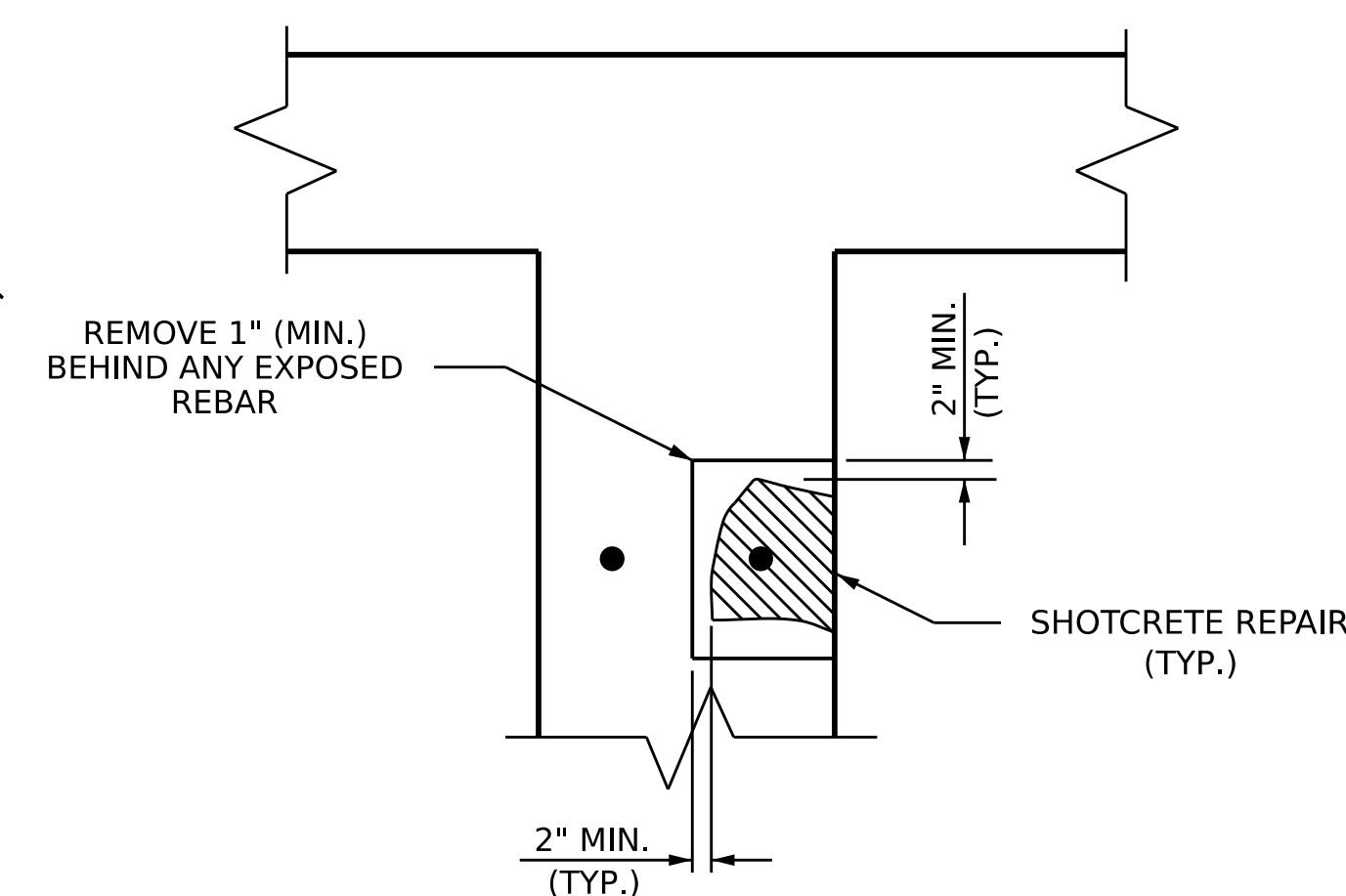


SECTION F-F

\* REMOVE CONCRETE UNTIL SOUND CONCRETE IS FOUND ( 2" MIN. CL. )



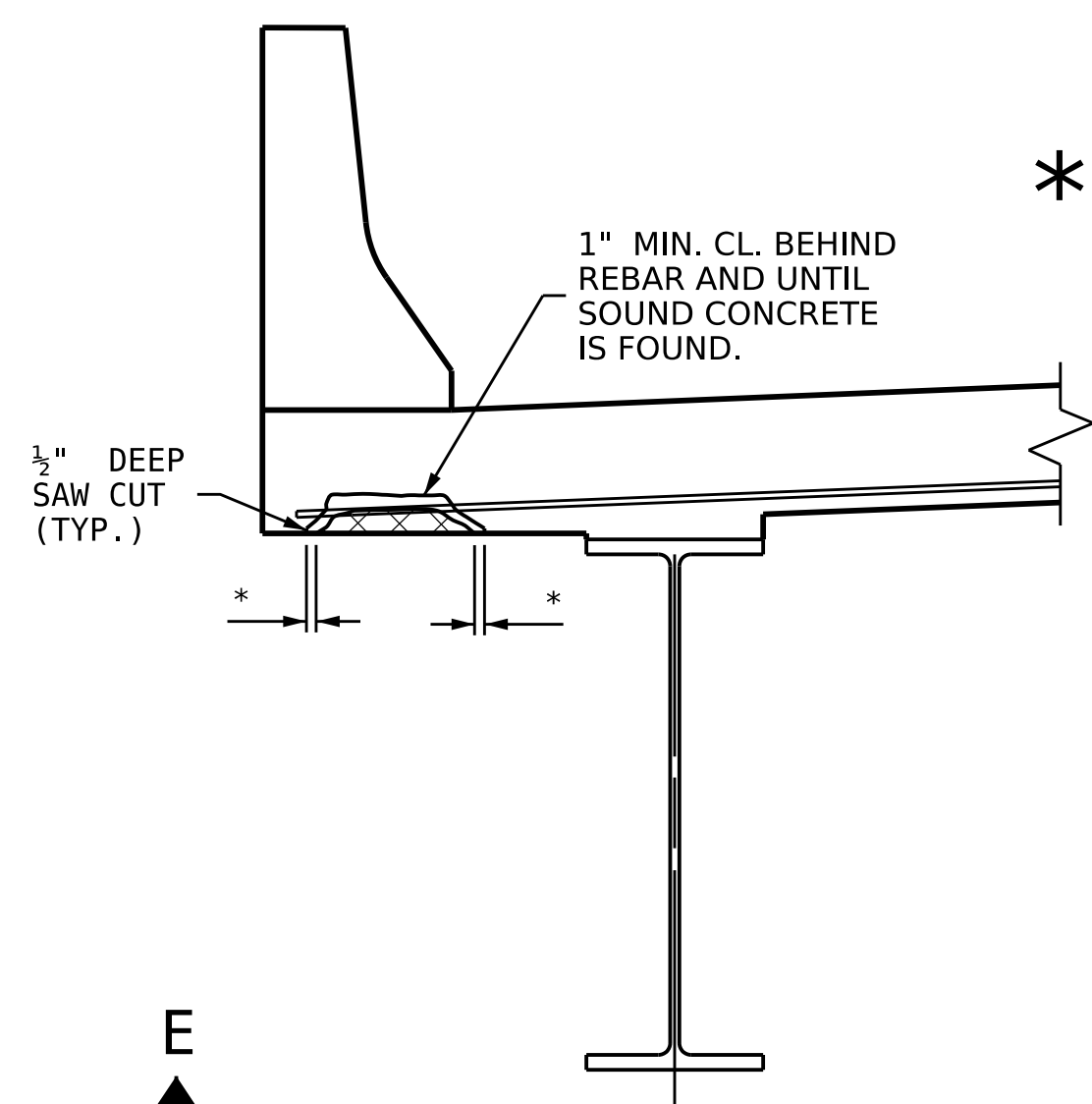
TYPICAL SECTION



SECTION F-F

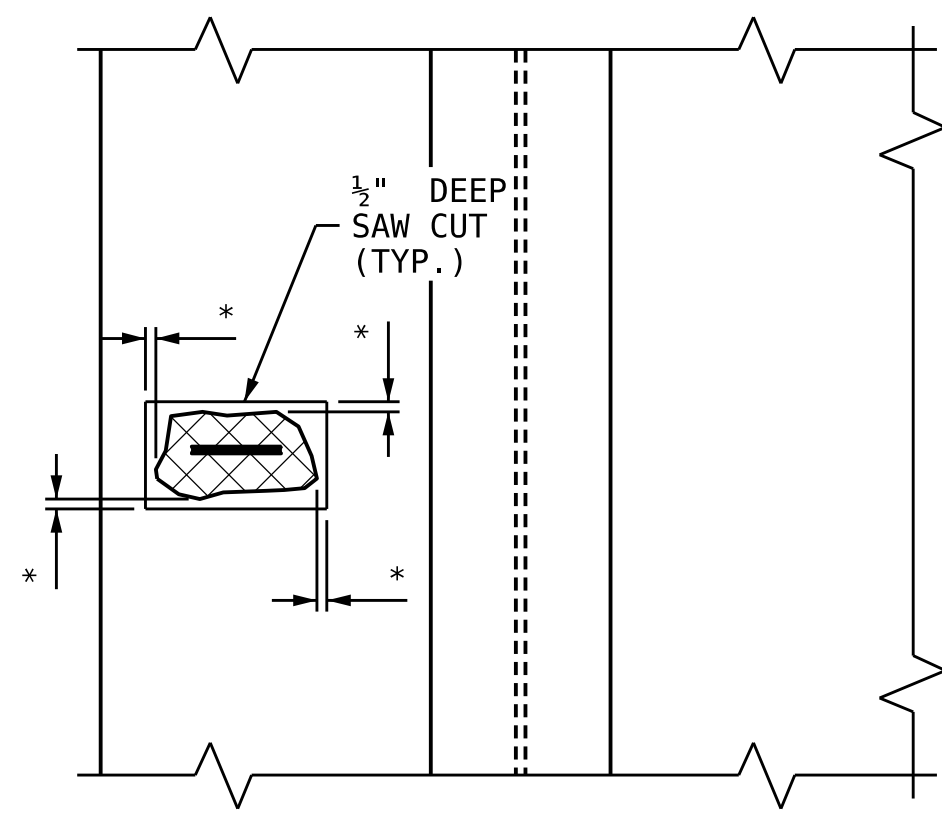
**BENT DIAPHRAGM REPAIR DETAILS**

**INTERIOR DIAPHRAGM REPAIR DETAILS**



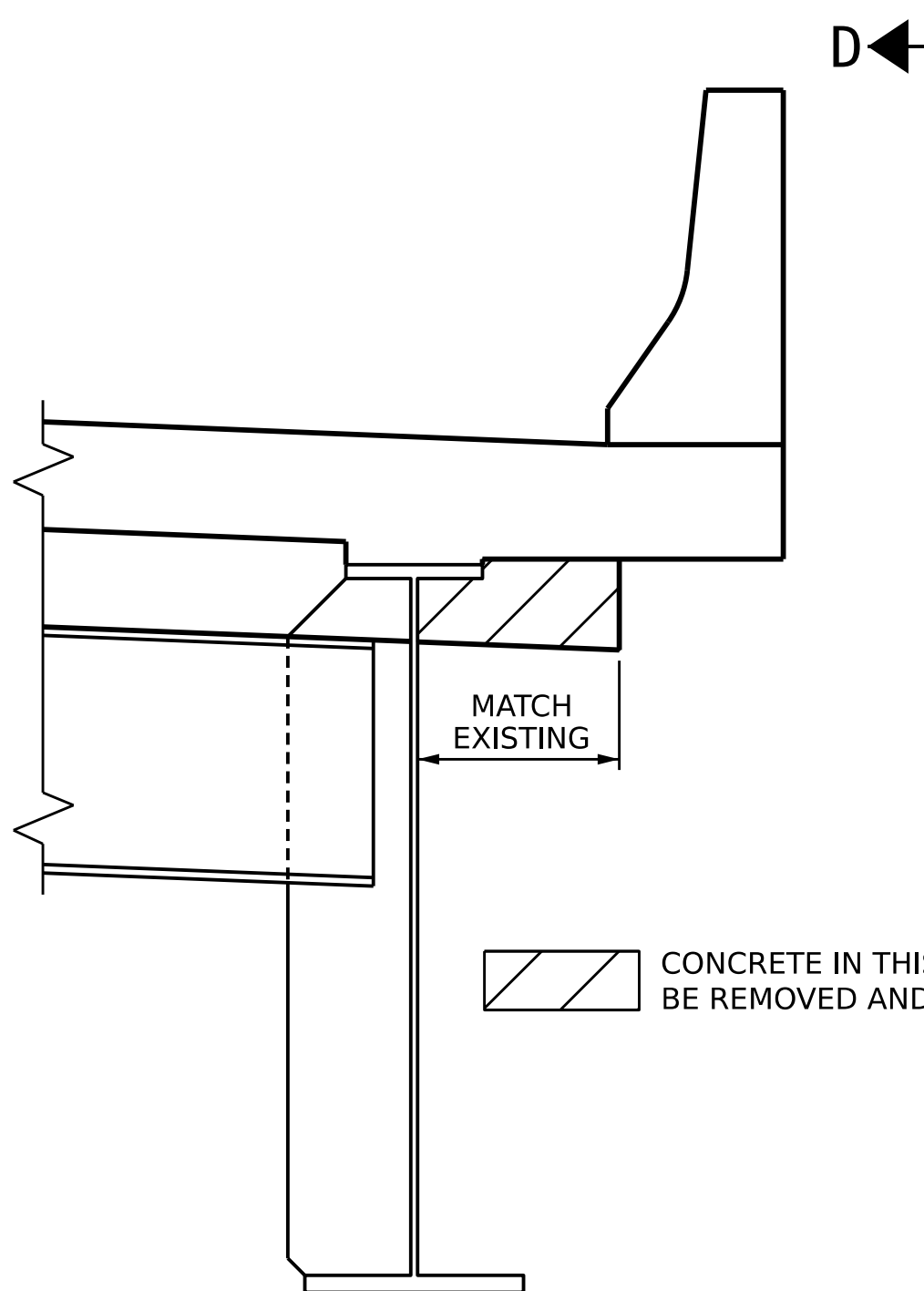
TYPICAL SECTION

\* AT DAMAGED AREA REMOVE CONCRETE UNTIL SOUND CONCRETE IS FOUND ( 2" MIN. CL. )



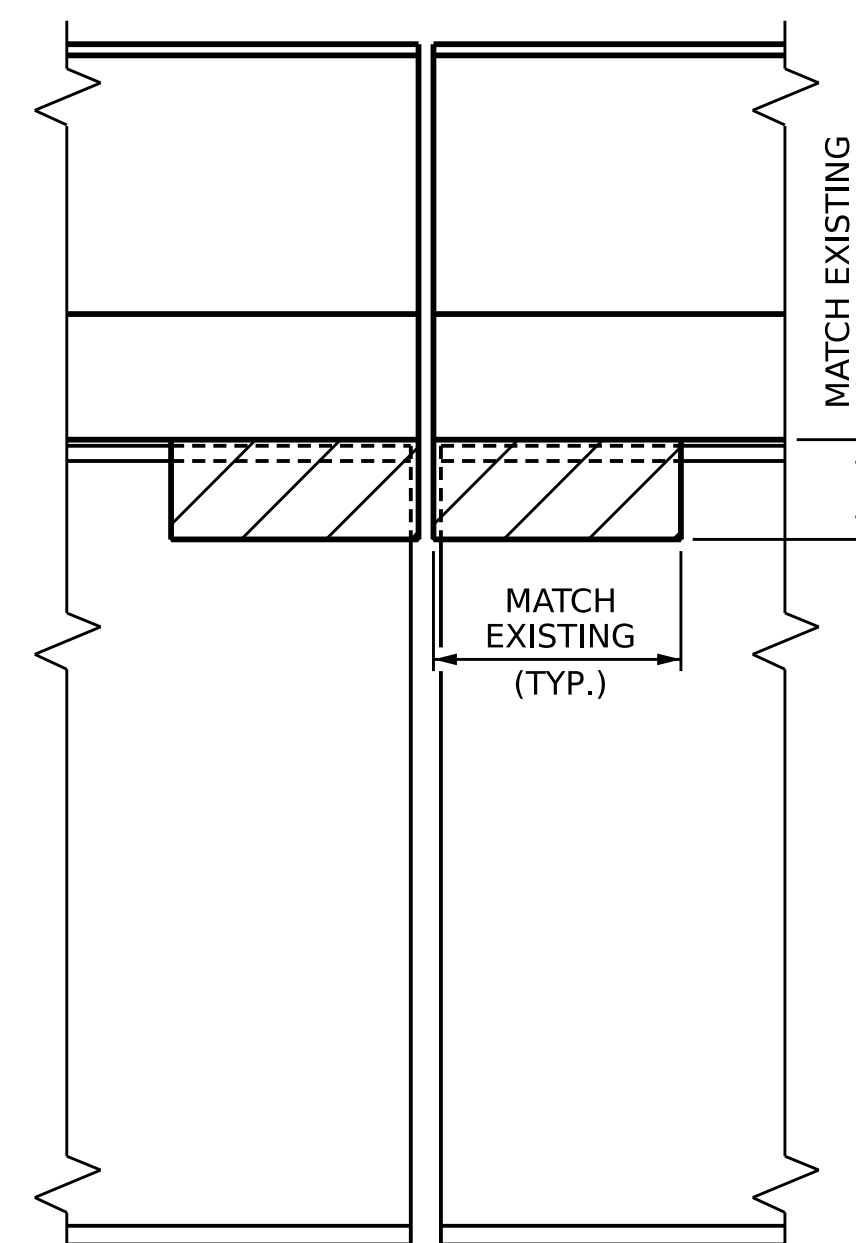
SECTION E-E

**OVERHANG DETAILS**

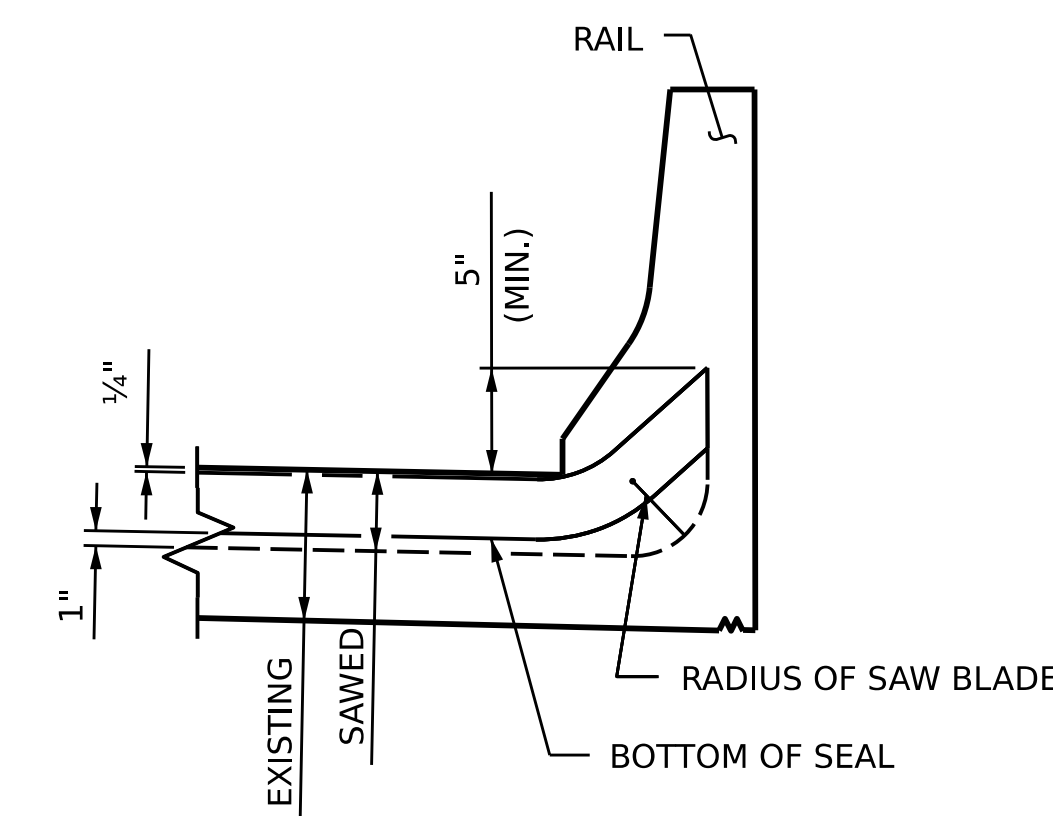


TYPICAL SECTION

**OVERHANG DIAPHRAGM REPLACEMENT DETAILS**



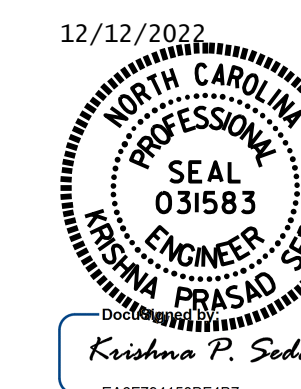
SECTION D-D



TYPICAL SECTION

**BRIDGE RAIL DETAILS**

PROJECT NO. **15BPR.61**  
**CHEROKEE** COUNTY  
 BRIDGE NO. **190009, 190010**



STATE OF NORTH CAROLINA  
 DEPARTMENT OF TRANSPORTATION  
 RALEIGH

**OVERHANG, DIAPHRAGM,  
 BRIDGE RAIL REPAIR  
 DETAILS**

DRAWN BY : A. SORSENGINH DATE : 8/2022  
 CHECKED BY : S. AGUILAR HERNANDEZ DATE : 8/2022  
 DESIGN ENGINEER OF RECORD : DATE :

DOCUMENT NOT CONSIDERED  
 FINAL UNLESS ALL  
 SIGNATURES COMPLETED

REVISIONS						SHEET NO.
NO.	BY:	DATE:	NO.	BY:	DATE:	SD-2
1			3			TOTAL SHEETS
2			4			5