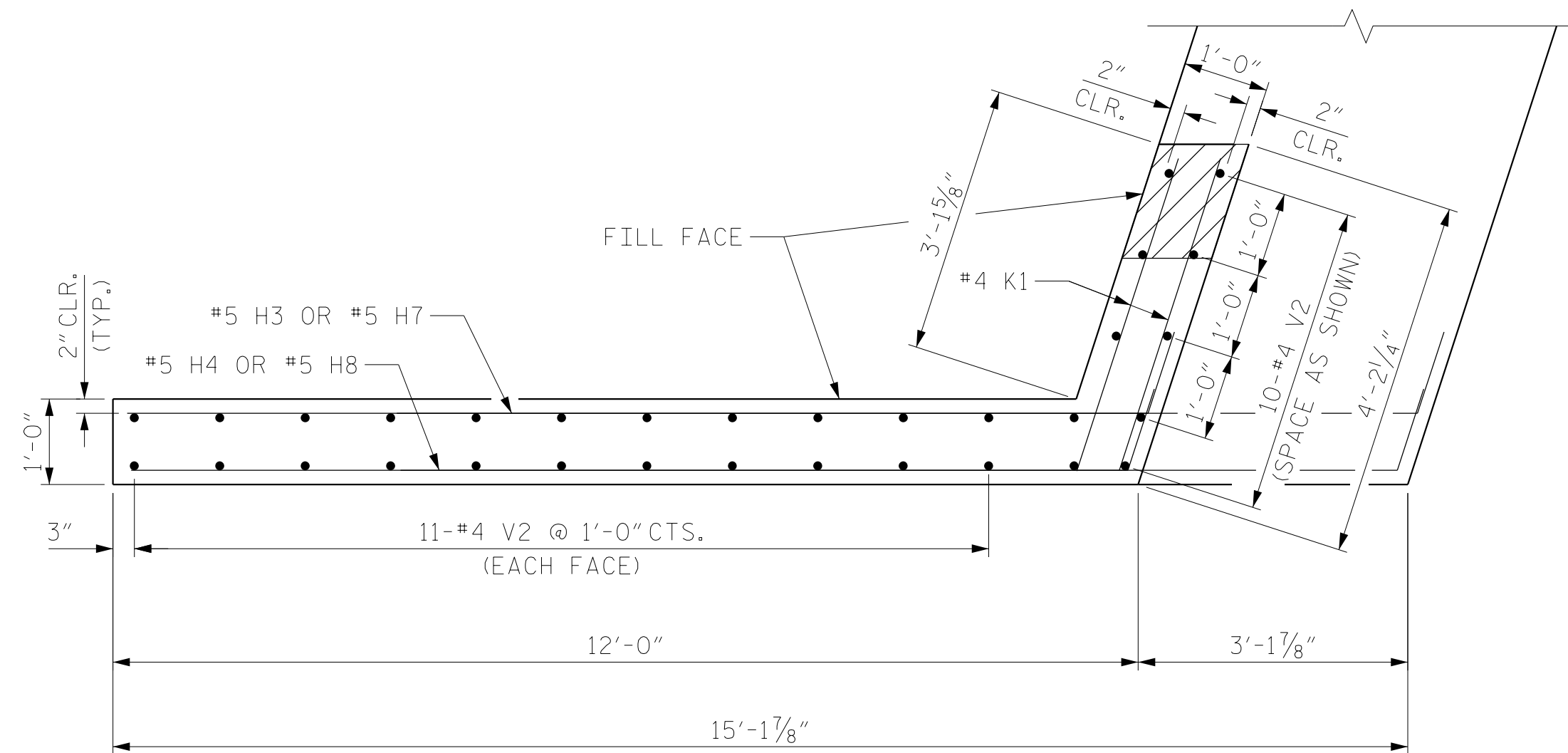
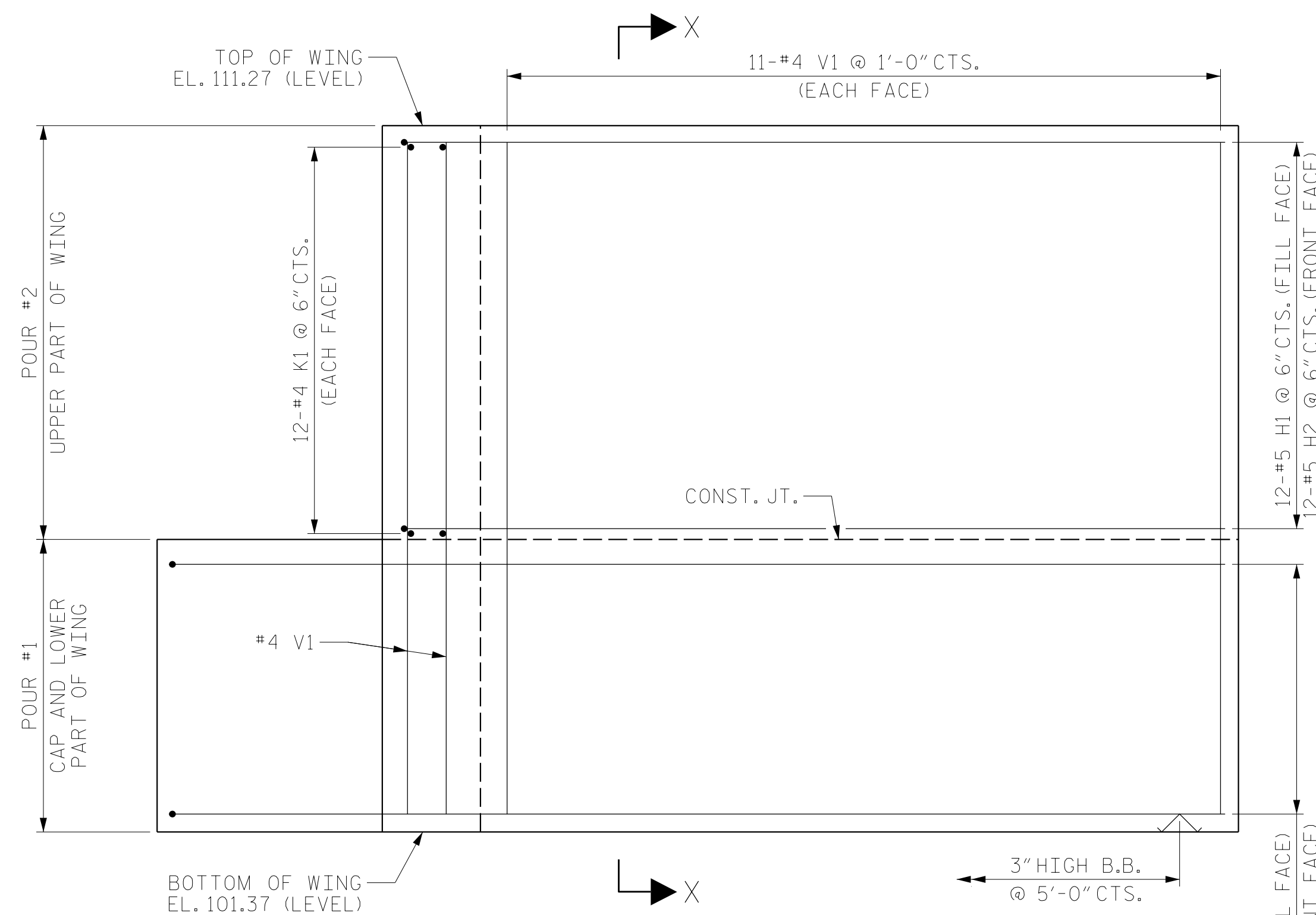


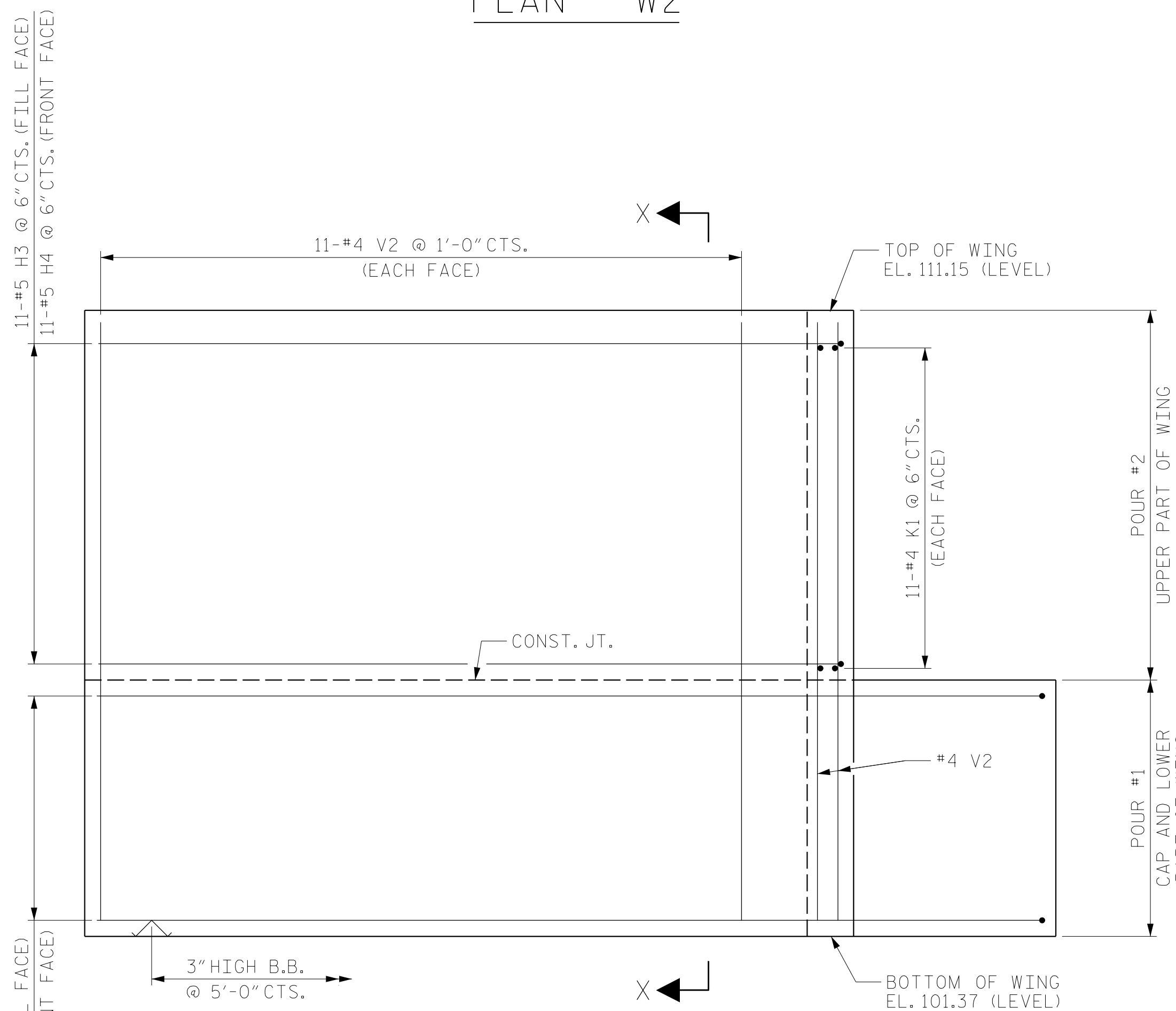
PLAN - W1



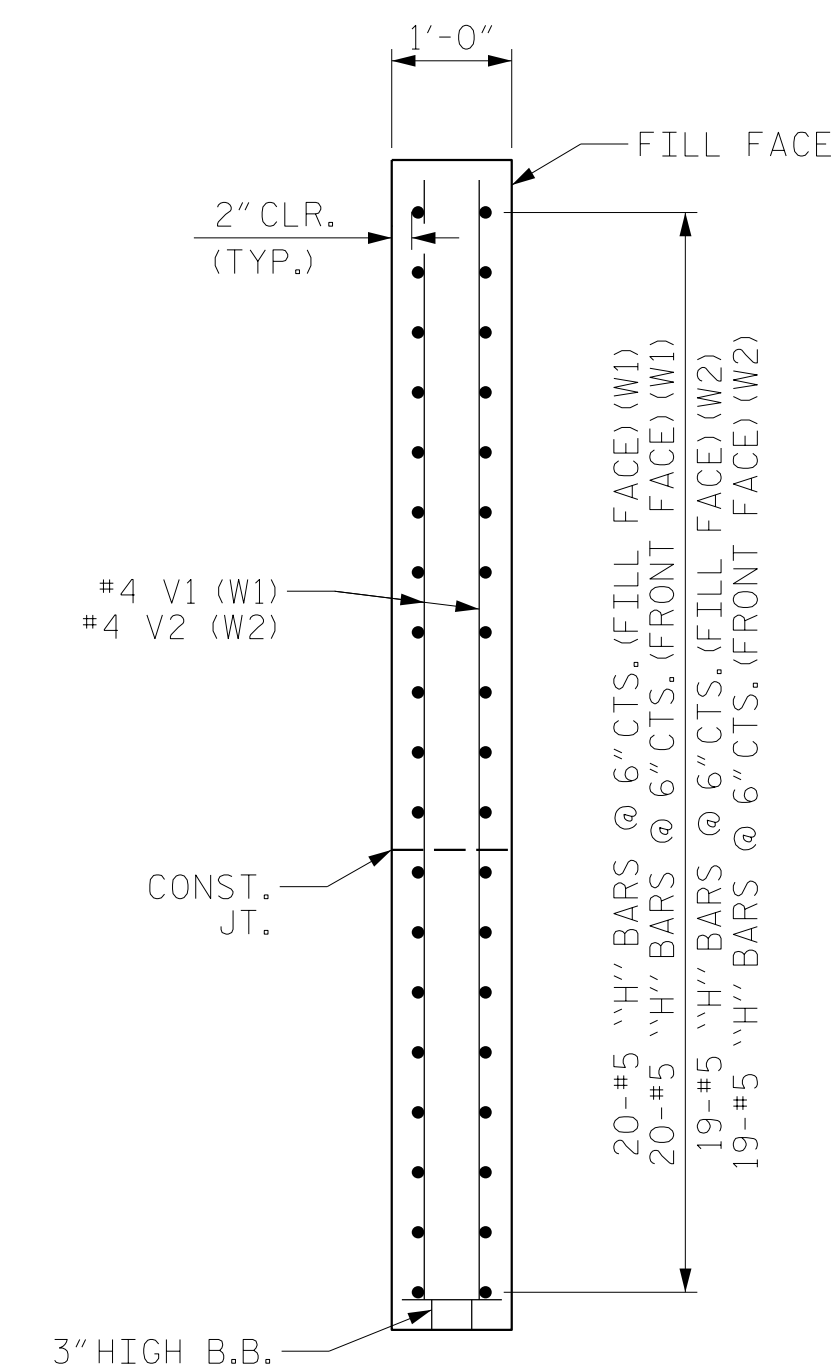
PLAN - W2



ELEVATION - W1



ELEVATION - W2



SECTION X-X

PROJECT NO. R-5751  
 ROBESON COUNTY  
 STATION: 37+99.89 -Y1B-

SHEET 2 OF 3



STATE OF NORTH CAROLINA  
 DEPARTMENT OF TRANSPORTATION  
 RALEIGH  
 SUBSTRUCTURE  
 END BENT 1  
 WING WALL DETAILS

DRAWN BY : TWL DATE : 02/2022  
 CHECKED BY : MRA DATE : 02/2022  
 DESIGN ENGINEER OF RECORD: MKO DATE : 10/2022

DOCUMENT NOT CONSIDERED  
 FINAL UNLESS ALL  
 SIGNATURES COMPLETED

| REVISIONS |     |       |     |     |       | SHEET NO.    |
|-----------|-----|-------|-----|-----|-------|--------------|
| NO.       | BY: | DATE: | NO. | BY: | DATE: | S-19         |
| 1         |     |       | 3   |     |       | TOTAL SHEETS |
| 2         |     |       | 4   |     |       | 28           |