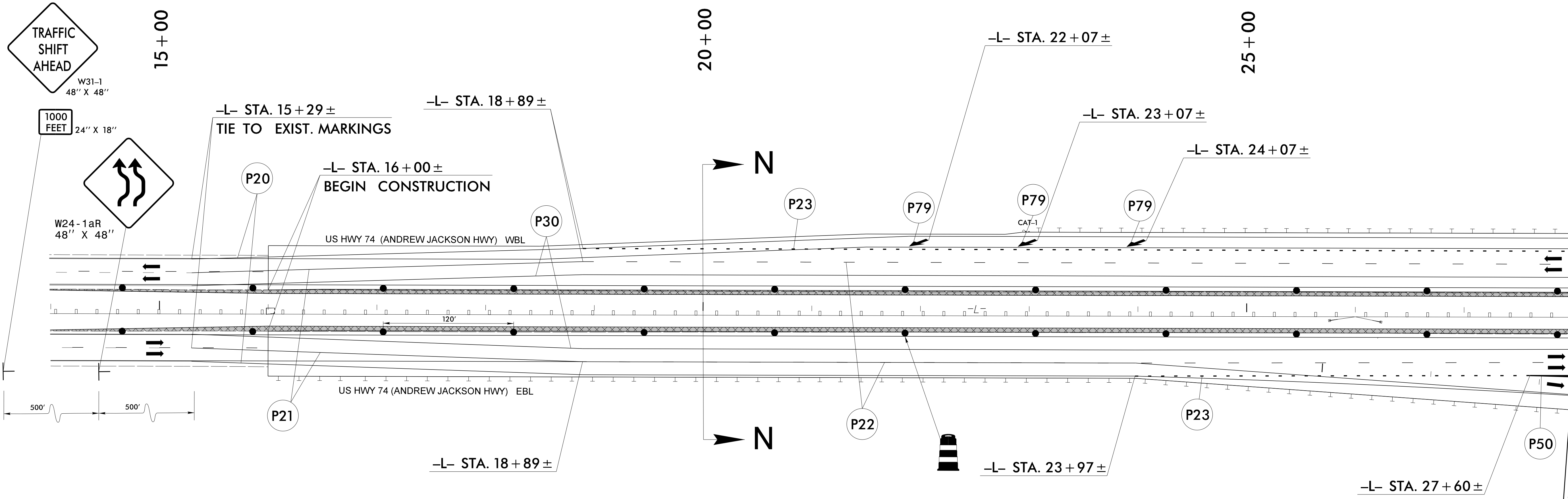
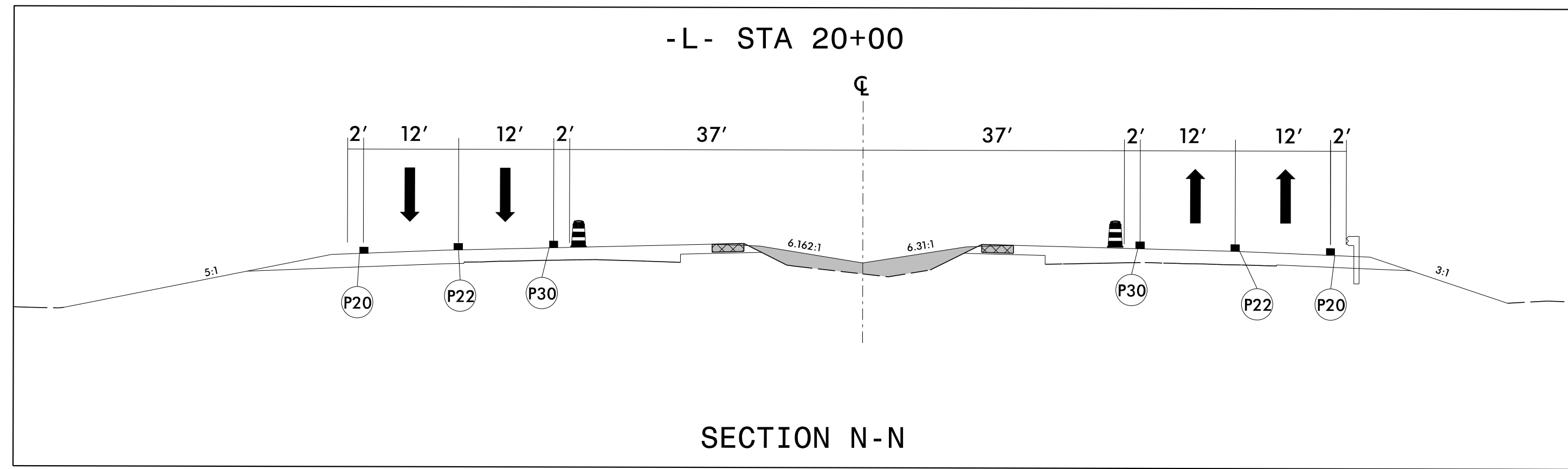




PROJ. REFERENCE NO.	SHEET NO.
R-5751	TMP-26

NAD 83/NA 2011



MATCHLINE SHEET TMP-27 MATCHLINE SHEET TMP-27
-YR/PC- STA. 12 + 30.00 -L- STA. 28 + 00.00

RS&H
8521 SIX FORKS ROAD, SUITE 400
RALEIGH, NC 27615
NC FIRM LICENSE No: F-0493

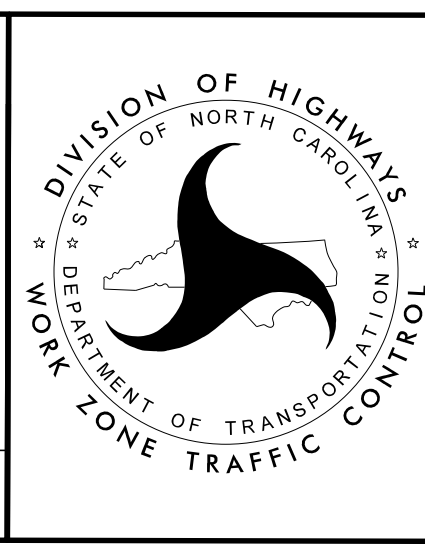
10/6/2022
R:\TrafficControl\TrafficControl\TC-TMP_piii.dtl.02.dgn
User:JBondJ

APPROVED: *Jared M. Bond*
DATE: _____

DocuSigned by:
EFT10591C74F469...

PROFESSIONAL SEAL
040418
ENGINEER
JARED M. BOND

**DOCUMENT NOT CONSIDERED FINAL
UNLESS ALL SIGNATURES COMPLETED**



**PHASE III
DETAIL**