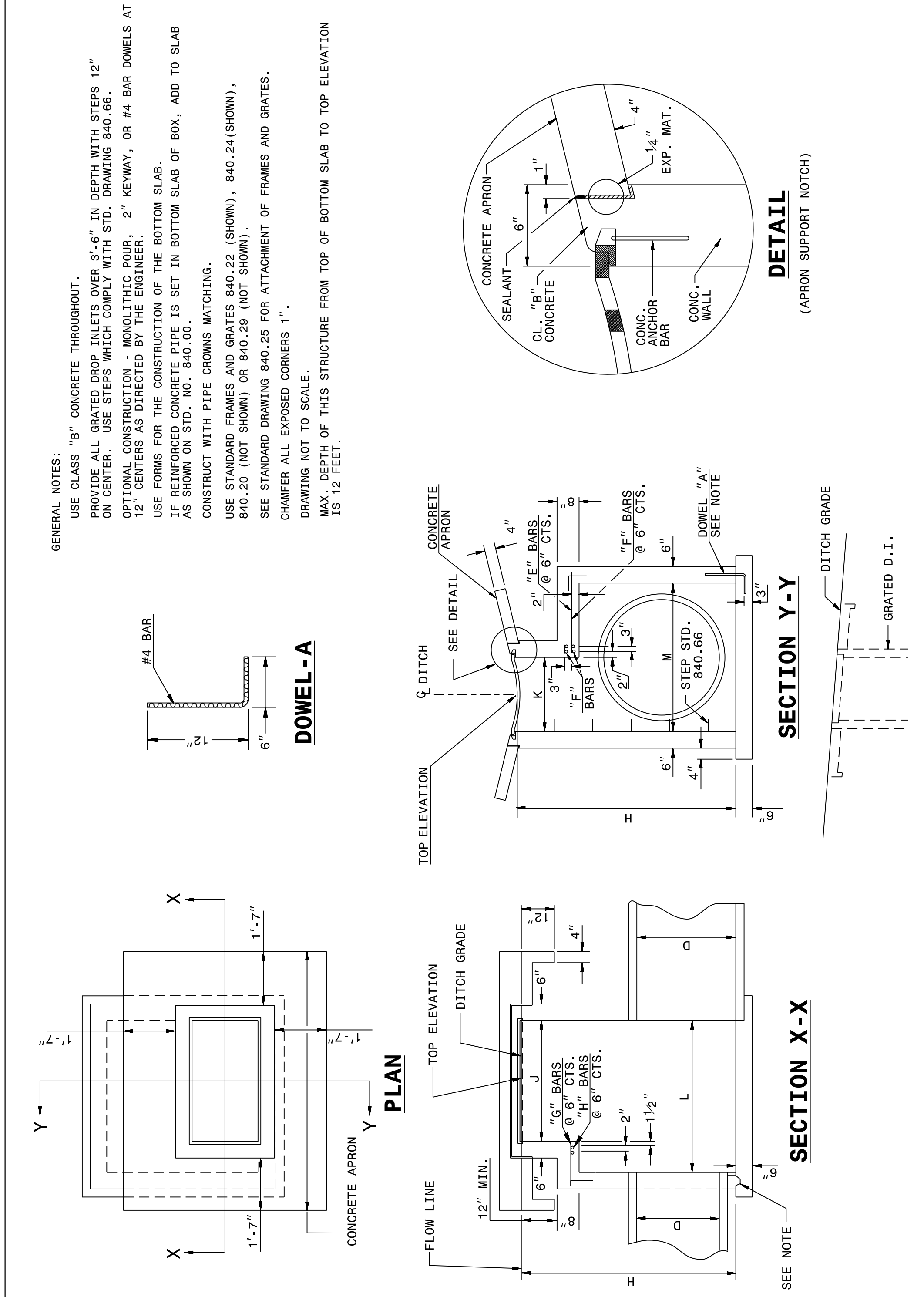


STATE OF NORTH CAROLINA DEPT. OF TRANSPORTATION DIVISION OF HIGHWAYS RALEIGH, N.C.

ENGLISH DETAIL DRAWING FOR CONCRETE GRATED DROP INLET TYPE 'A' MINIMUM DEPTH 12" THRU 72" PIPE

SHEET 1 OF 2 840d17



STATE OF NORTH CAROLINA DEPT. OF TRANSPORTATION DIVISION OF HIGHWAYS RALEIGH, N.C.

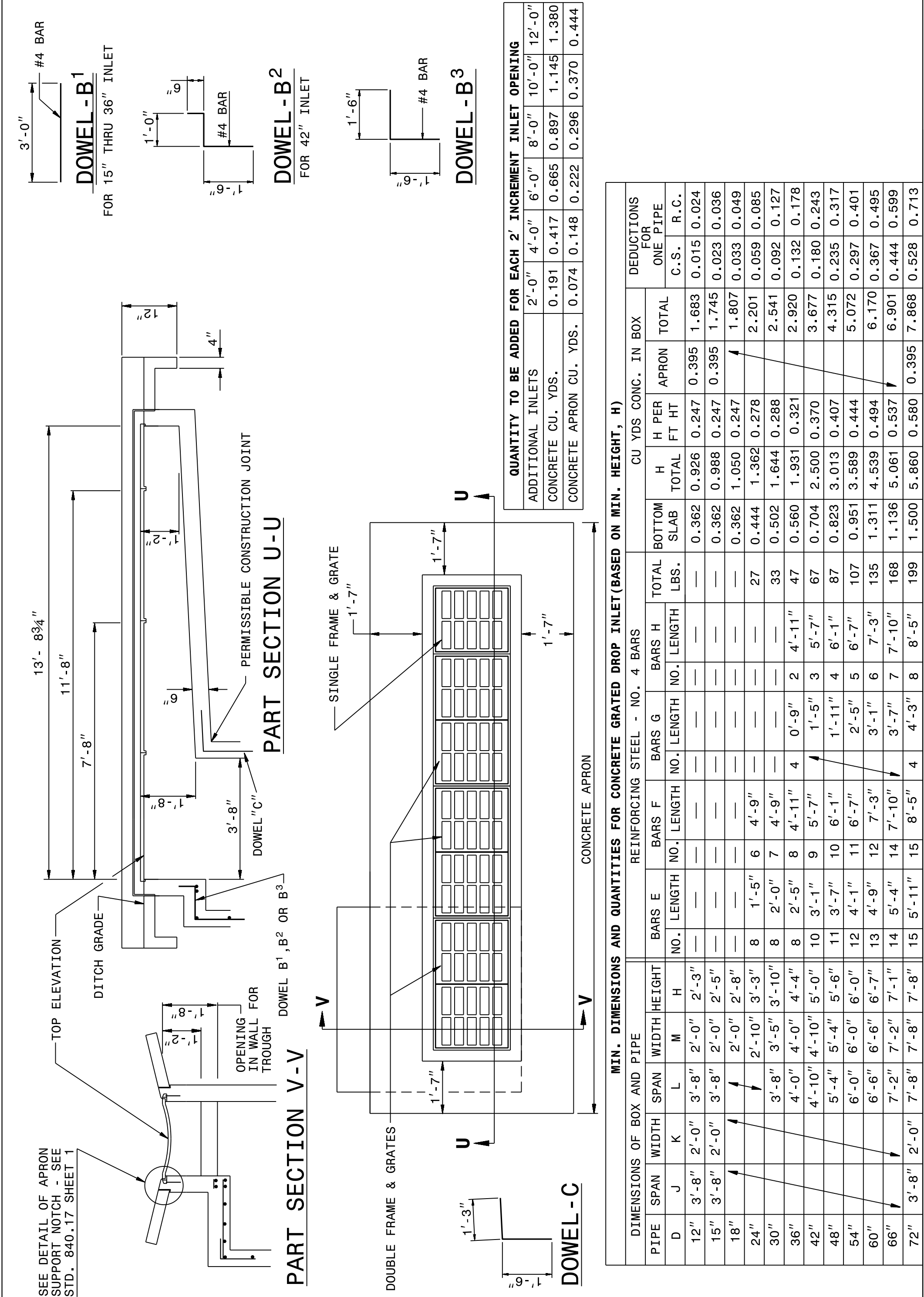
ENGLISH DETAIL DRAWING FOR CONCRETE GRATED DROP INLET TYPE 'A' MINIMUM DEPTH 12" THRU 72" PIPE

SHEET 1 OF 2 840d17

STATE OF NORTH CAROLINA DEPT. OF TRANSPORTATION DIVISION OF HIGHWAYS RALEIGH, N.C.

ENGLISH DETAIL DRAWING FOR CONCRETE GRATED DROP INLET TYPE 'A' MINIMUM DEPTH 12" THRU 72" PIPE

SHEET 2 OF 2 840d17



STATE OF NORTH CAROLINA DEPT. OF TRANSPORTATION DIVISION OF HIGHWAYS RALEIGH, N.C.

ENGLISH DETAIL DRAWING FOR CONCRETE GRATED DROP INLET TYPE 'A' MINIMUM DEPTH 12" THRU 72" PIPE

SHEET 2 OF 2 840d17



DOCUMENT NOT CONSIDERED FINAL UNLESS ALL SIGNATURES COMPLETED

CONTRACT STANDARDS AND DEVELOPMENT UNIT
 Office 919-707-6950 FAX 919-250-4119

SEE TITLE BLOCK

ORIGINAL BY: J. Howerton DATE: 1/22/14
 MODIFIED BY: DATE:
 CHECKED BY: DATE:
 FILE SPEC.: jhowerton\minimum_depth_type A.dgn