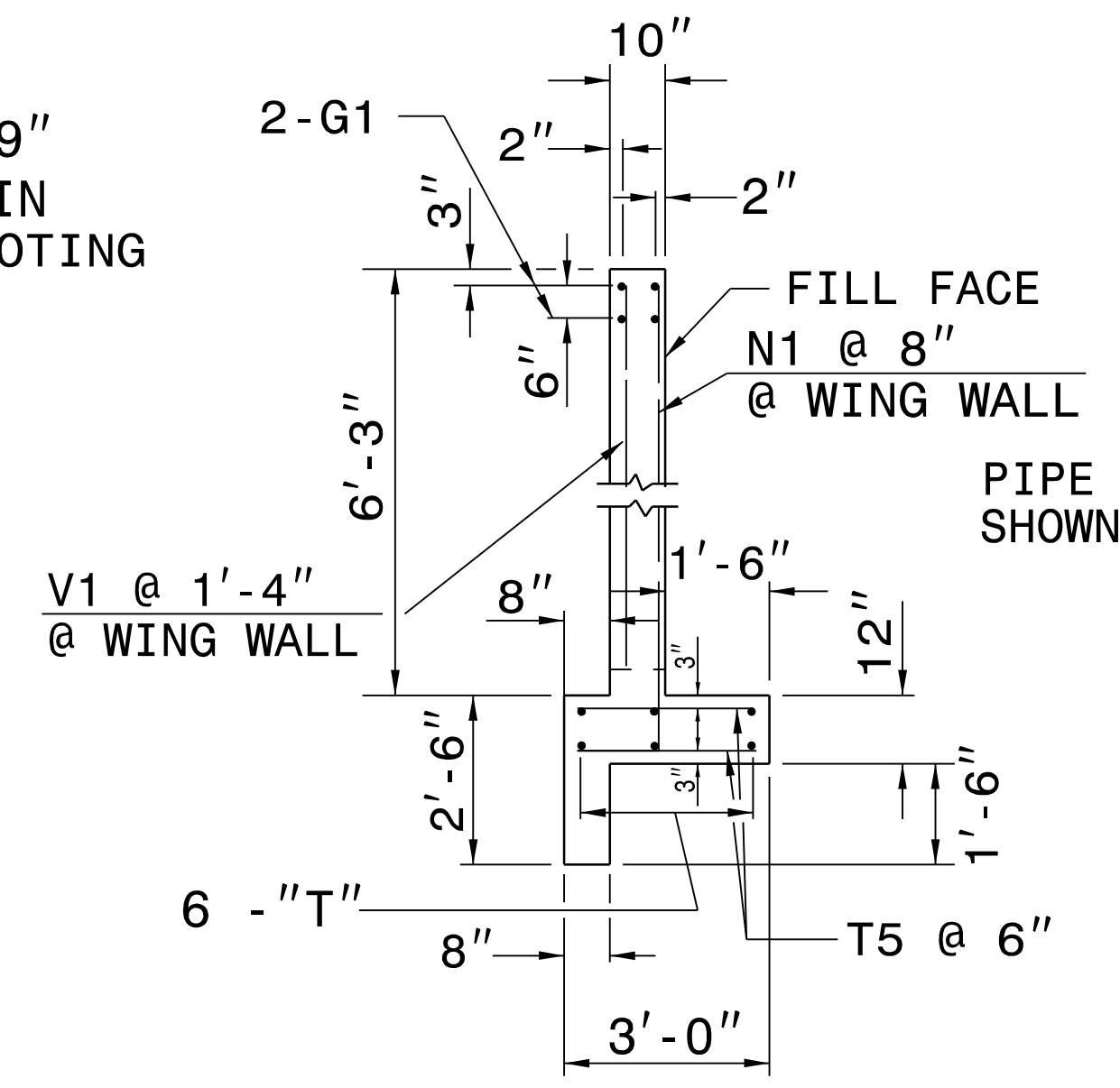
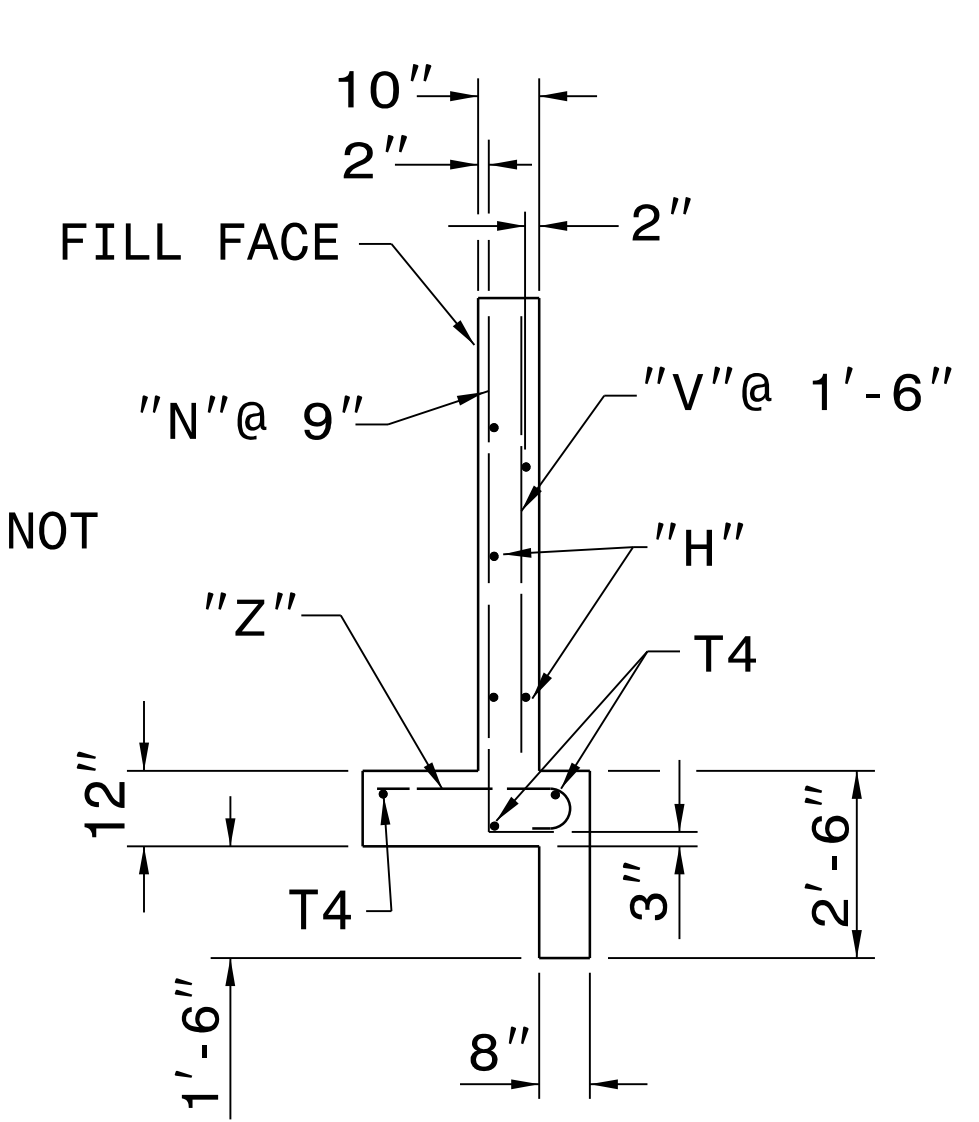


**PLAN**

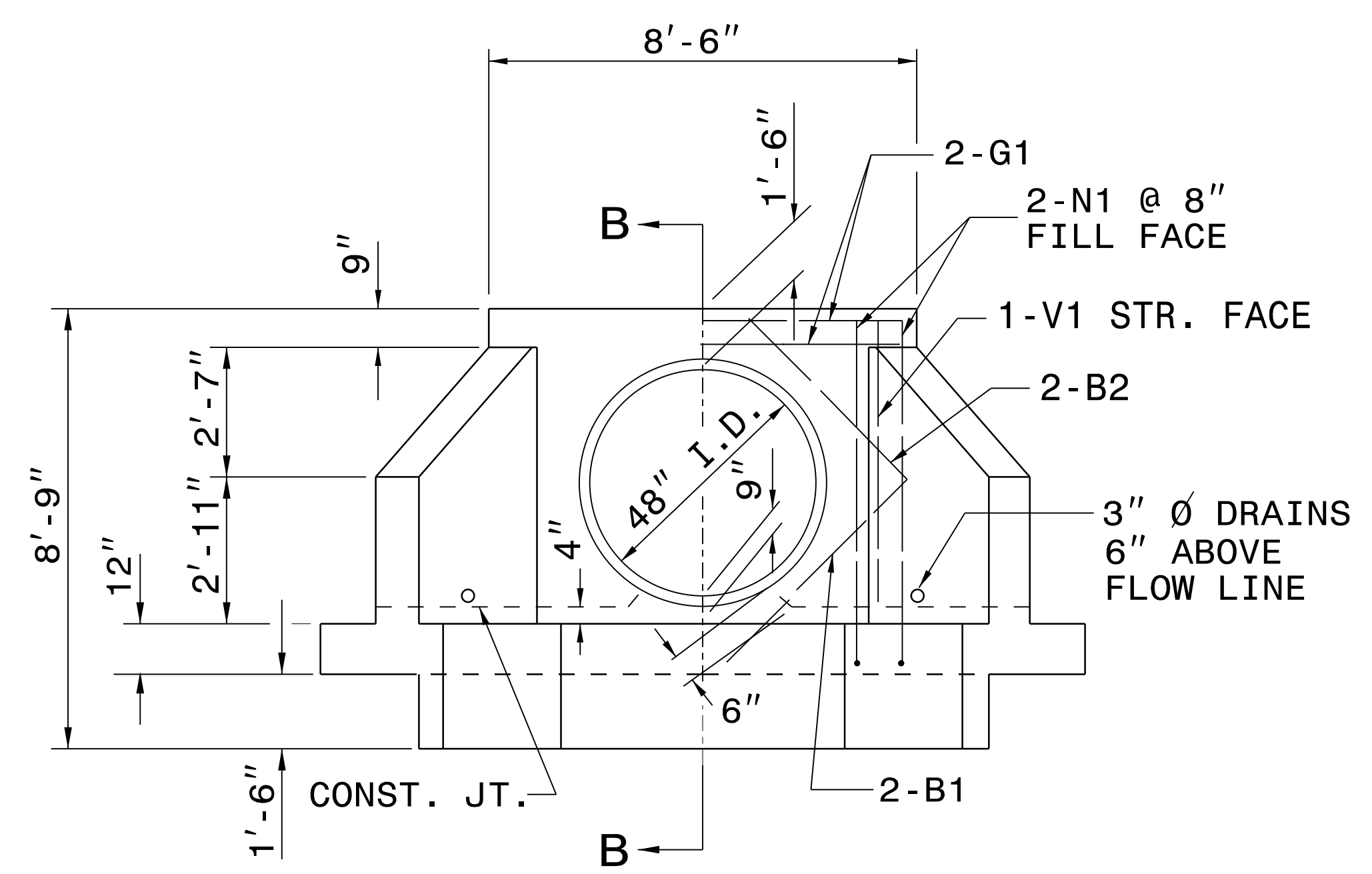


**SECTION - BB**

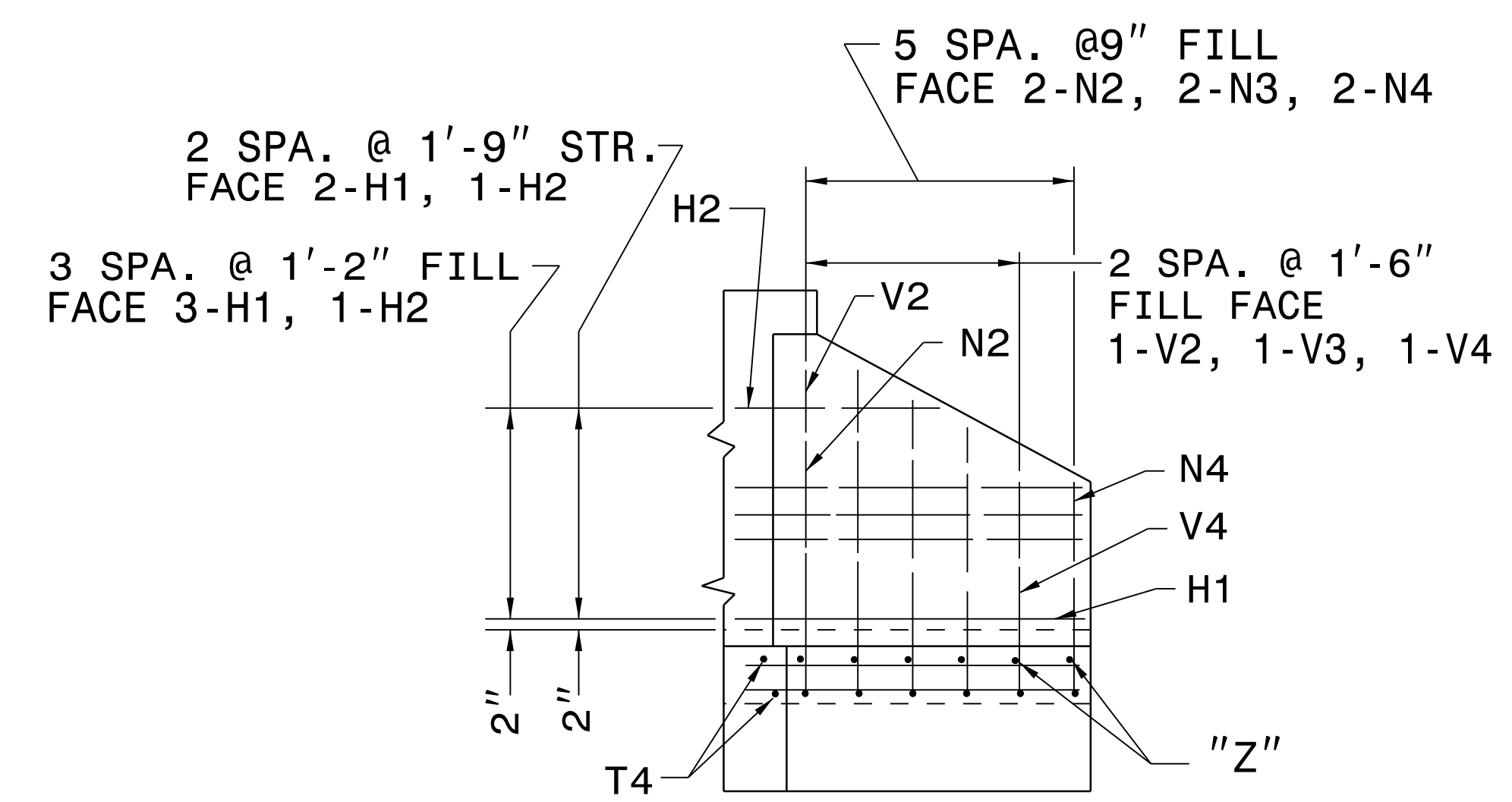


**SECTION - AA**

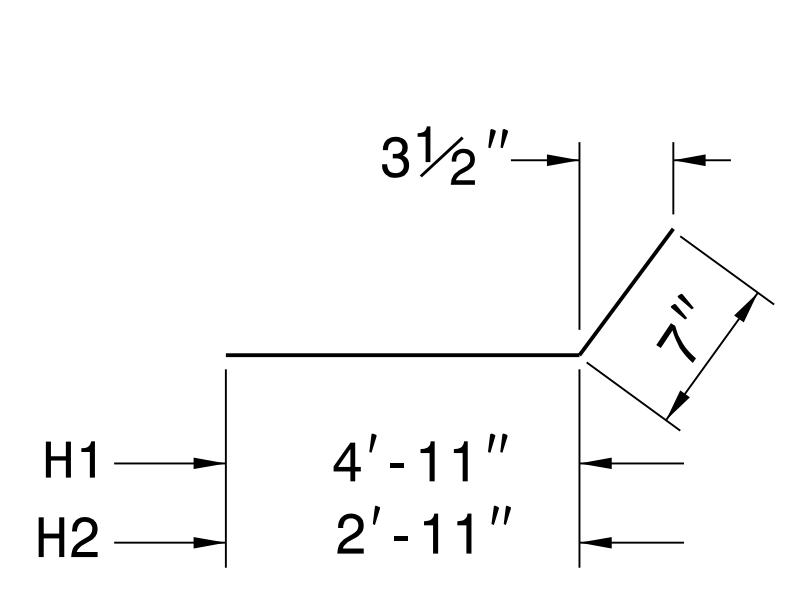
SEE STD. DWG. 838.45 FOR GENERAL NOTES.



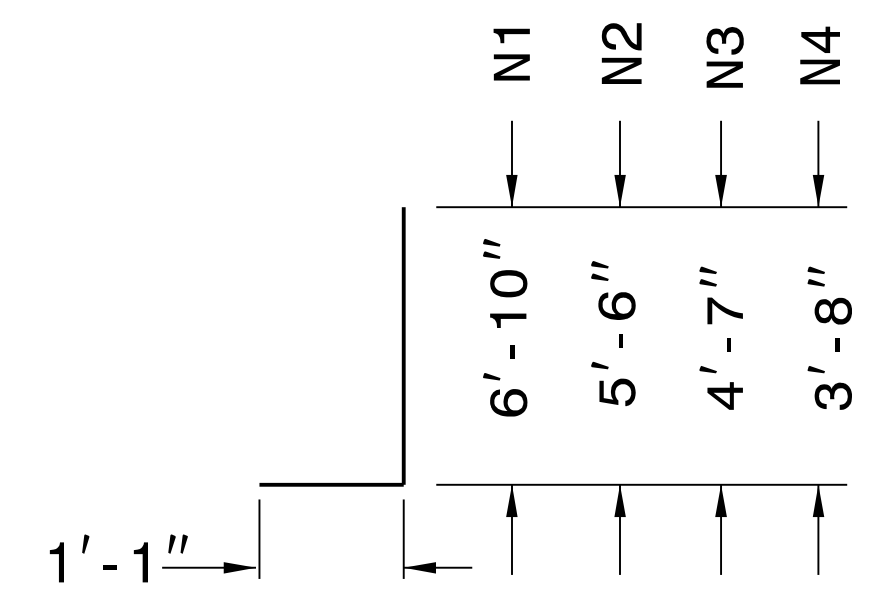
**ELEVATION**



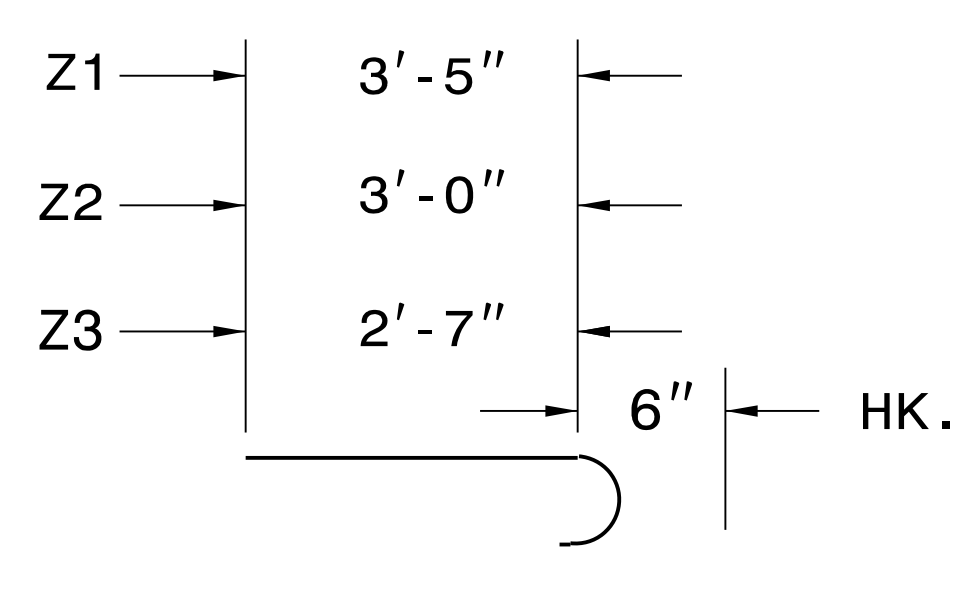
**WING ELEVATION**



**"H" BARS**



**"N" BARS**



**"Z" BARS**

"H", "N", & "Z" BAR DIMENSIONS ARE OUT TO OUT.

BILL OF MATERIAL FOR ENDWALL				
REINF. STEEL			1 PIPE	
BAR	SIZE	LENGTH	NO.	WEIGHT
B1	#4	5'-6"	4	15
B2	#4	4'-6"	4	12
G1	#7	8'-2"	4	66
H1	#4	5'-6"	10	37
H2	#4	3'-6"	4	9
N1	#4	7'-11"	4	21
N2	#4	6'-7"	4	18
N3	#4	5'-8"	4	15
N4	#4	4'-9"	4	13
T1	#4	11'-10"	6	47
T4	#4	5'-3"	6	21
T5	#4	2'-6"	34	57
V1	#4	5'-9"	2	8
V2	#4	4'-10"	2	6
V3	#4	3'-11"	2	5
V4	#4	3'-1"	2	4
Z1	#4	3'-11"	6	16
Z2	#4	3'-6"	4	9
Z3	#4	3'-1"	4	8
REINF. STEEL LBS.			X	387
CON./R.C. CU. YDS				5.1

24-MAY-2022 13:46 \\Transportation\PI\030036026-R-5751 US 74\_NC 72\_NC\_130\_Final\_Design\Design\Drainage\Detail\_Sheets\08382101\_MOD\FIELD\_R-5751.dgn